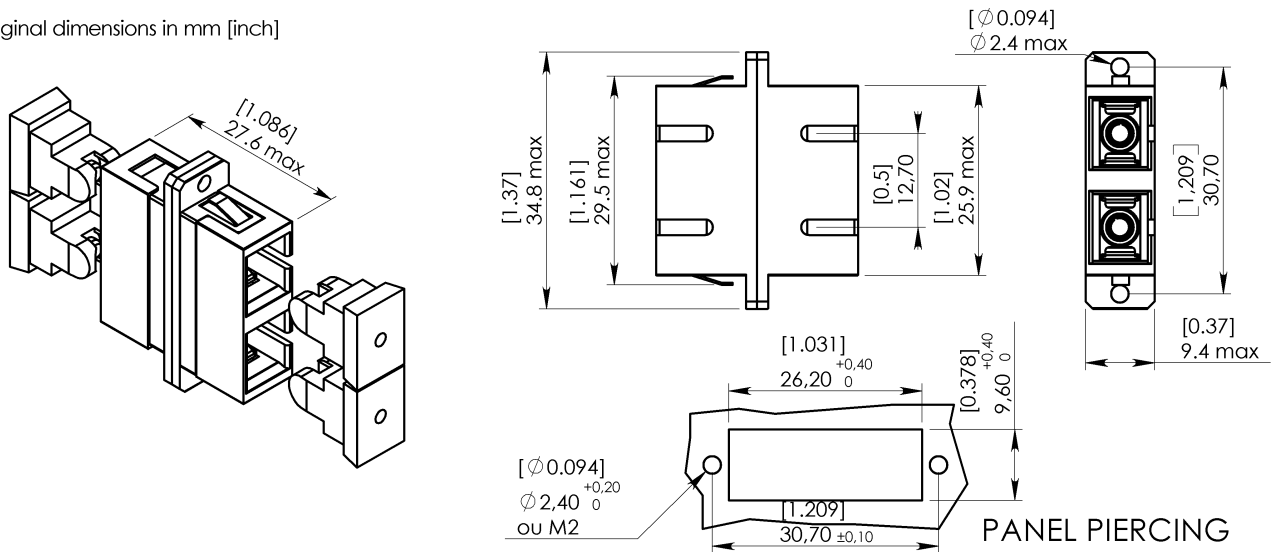


Original dimensions in mm [inch]


GENERAL

Type :	IEC 60874-19 SC type. Push pull latching system Body color : green
Mounting :	snap-in (or screw -in) mounting max. Panel thickness 1.6mm
Alignment sleeve :	Zirconia

CHARACTERISTICS *(Dependant on fiber or cable construction)*

Material : Plastic moulded	Material in accordance with BELLCORE GR 326 CORE Issue 2, par.3.3.1 Inflammability V1 (UL94) Stainless stell
Clip	
Optical :	Attenuation (according to IEC 61300-3-4:Substitution method, 7 type) at 1310nm : 0.11 dB Max / 0.05 dB Typ
Mechanical : Durability	Bellcore 326, 500 cycles
Plug Retention	> 68 N
Environmental : Temperature range (storage/operating)	-40°C to +85°C
Salt spray :	EIA/TIA -455-16A, 35°C, 168 hr.
Vibration test :	Bellcore 326, 10 to 50 Hz, 2 hrs./axis
Proof test :	Bellcore 326, Straight pull : 6.8 Kg load at 0° Side pull : 3.5 Kg load at 90°

CREATION						RADIALL [®] 101, rue P. Hoffmann 93116 ROSNY/BOIS FRANCE Tel : (33) 0149353535 Fax : (33) 0148546363
PEN/EP CAT						
Name: CAUSSE.C	4 jan 11	Mise à jour performances mécaniques	Poret	HD		
Date: 23 Jul.99	01/09/02	Performance specified	Valencia	LV		
Appr.: LV	Issue	Revisions	Name	Appr.		

Mouser Electronics

Authorized Distributor

Click to View Pricing, Inventory, Delivery & Lifecycle Information:

[Radial:](#)

[F728753100](#)