

BOOT FOR Ø 0.9 MM CABLE

Series

LC

Packaging

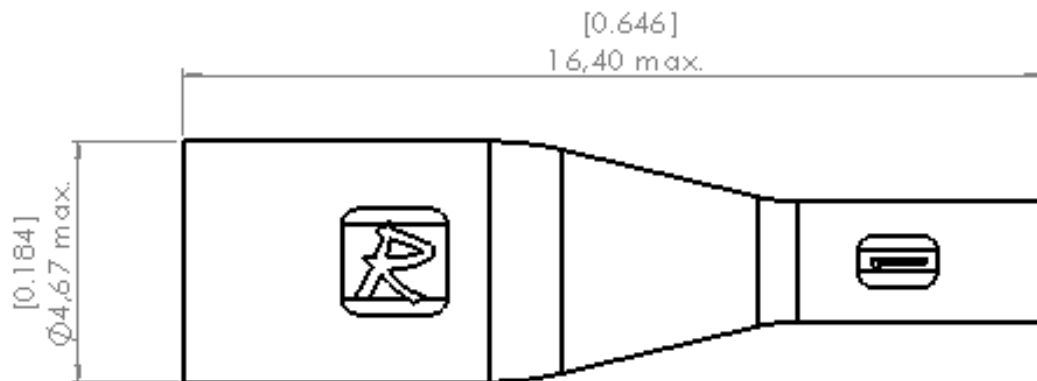
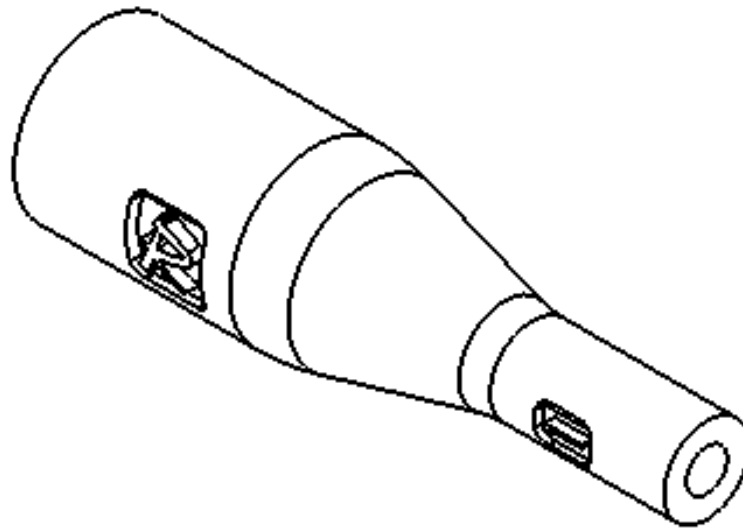
100

Issue

06 Jan 2011

Page

1/1



Original dimensions in mm [inch]

GENERAL

- Compatible with LC connectors
- Suitable for use with cable size $\Phi 0.9\text{mm}$
- Compatible with Bellcore GR 326 specification (VO, LOI 28 % mini.)
- Color : **AQUA**

Mouser Electronics

Authorized Distributor

Click to View Pricing, Inventory, Delivery & Lifecycle Information:

[Radial:](#)

[F718166209](#)