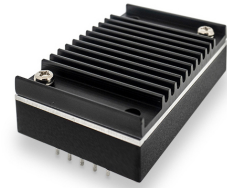


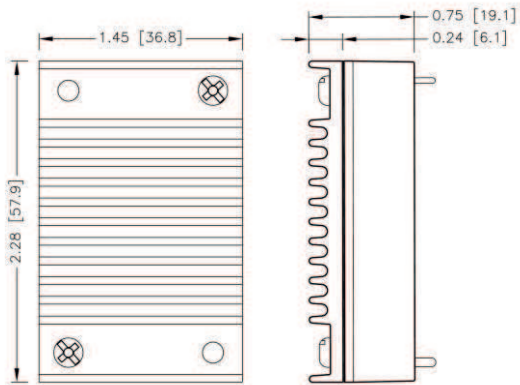
Heat Sink

TEP-HS2

Order Code	TEP-HS2
Compatible with	TEP 100UIR, TEP 40UIR, TEP 60UIR
Package Content	Heatsink, thermal pad and mounting screws
Thermal Impedance	7.08 K/W (after assembly)
Material	AL 6063
Surface Finish	Anodized (black)
Weight	20.7 g (without converter)
RoHS Exemptions	No Exemptions



Outline Dimensions



Dimensions in inch, [] = mm

Mouser Electronics

Authorized Distributor

Click to View Pricing, Inventory, Delivery & Lifecycle Information:

[TRACO Power:](#)

[TEP-HS2](#)