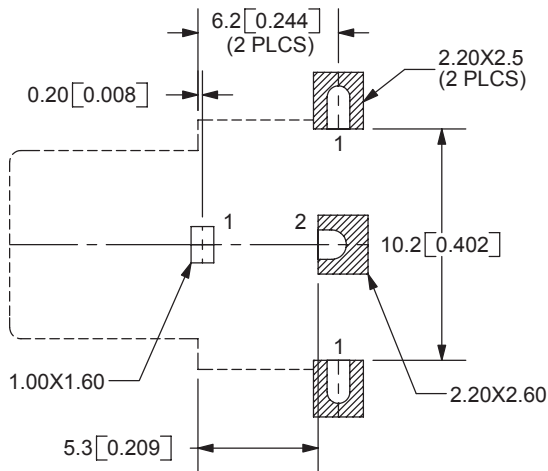
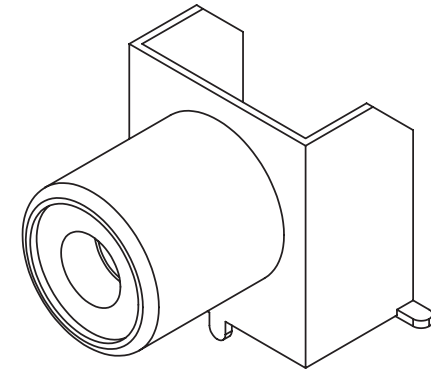
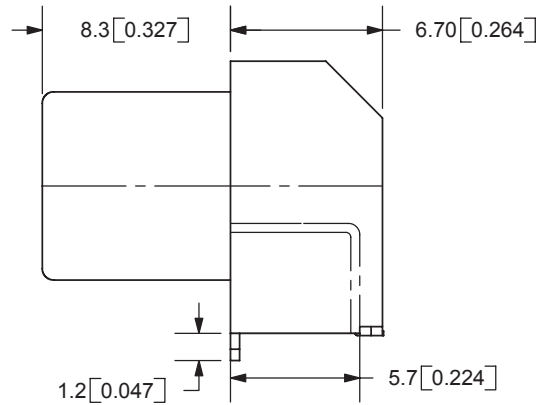
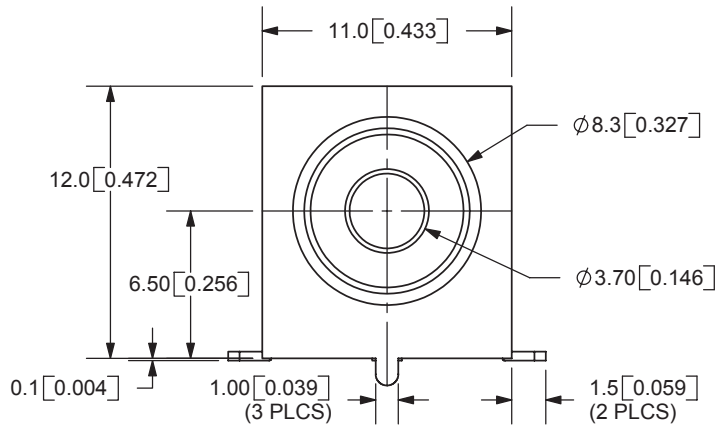


REV.	DESCRIPTION	DATE
A	NEW DRAWING	3/2/2006
B	added TR package option	11/7/2012



PCB LAYOUT
TOP VIEW

MODEL NO.	RCJ-01X-SMT
SCHEMATIC	

COLOR INDEX	
PART NO.	COLOR
RCJ-011-SMT	Black
RCJ-012-SMT	Red
RCJ-013-SMT	White
RCJ-014-SMT	Yellow
RCJ-017-SMT	Orange

Note:
Add suffix "-TR" to the model number for
tape & reel packaging

TOLERANCE:
X.X ±0.2mm
X.XX ±0.1mm
X.XXX ±0.05mm



20050 SW 112th Ave.
Tualatin, OR 97062
Phone: 503-612-2300
800-275-4899
Fax: 503-372-1266
Website: www.cui.com

SPECIFICATIONS:
CONTACT RESISTANCE: 25m OHMS MAX
INSULATION RESISTANCE: 100M OHMS MIN: 500V DC
VOLTAGE WITHSTAND: 500V AC R.M.S. FOR 1 MINUTE
LIFE: 5,000 CYCLES
OPERATING TEMP: -25° ~ +85°C

PC FILE NAME:
RCJ-01X-SMT

COPYRIGHT 2012 BY CUI INC.

SHELL	MATERIAL	PLATING	TITLE:	REV:
SHELL	Brass	Tin	SMD RCA SOCKET	B
BRACKET	C.R. Steel	Tin	PART NO. RCJ-01X-SMT	UNITS: MM [INCHES]
CENTER CONTACT	Brass	Tin	DRAWN BY: ZRJ	APPROVED BY:
INSULATOR	PA66			SCALE: 3:1

Mouser Electronics

Authorized Distributor

Click to View Pricing, Inventory, Delivery & Lifecycle Information:

CUI Devices:

[RCJ-014-SMT-TR](#) [RCJ-011-SMT-TR](#) [RCJ-013-SMT-TR](#) [RCJ-012-SMT-TR](#)