

**PLEASE CHECK WWW.MOLEX.COM FOR LATEST PART INFORMATION**

**Part Number:** [0731385033](#)  
**Status:** **Active**  
**Overview:** [BNC Miniature RF Connectors and Cable Assemblies](#)  
**Description:** BNC 50 Ohm, Right-Angle, PCB Bulkhead Jack Receptacle, Die Cast Zinc Alloy Body, Nickel Plated

**Documents:**

<a href="#">3D Model</a>	<a href="#">Drawing (PDF)</a>
<a href="#">3D Model (PDF)</a>	<a href="#">RoHS Certificate of Compliance (PDF)</a>

**General**

Product Family	RF/Coax Connectors
Series	73138
Overview	<a href="#">BNC Miniature RF Connectors and Cable Assemblies</a>
Product Name	BNC
Style	PCB
Type	Miniature
UPC	800753691698
Wire/Cable Type	N/A

**Physical**

Cable Attachment	N/A
Gender	Jack
Keying to Mating Part	None
Net Weight	22.183/g
Orientation	Right Angle
PCB Mounting	Through Hole
PCB Thickness - Recommended	3.20mm
Packaging Type	Bag
Panel Mount	Yes
Panel Mount Method	Bulkhead

**Electrical**

Frequency	2 GHz
Impedance	50Ω
Power / Voltage	VOLTAGE: 500 Vrms@Sea Level

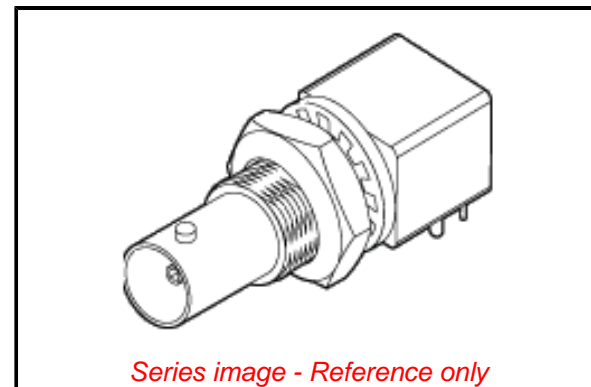
**Solder Process Data**

Lead-freeProcess Capability	WAVE
Process Temperature max. C	245

**Material Info**

**Reference - Drawing Numbers**

Sales Drawing	SD-73138-5033-001
---------------	-------------------



*Series image - Reference only*

**EU ELV**

**Not Relevant**

**EU RoHS**

**Compliant with Exemption 6(c)**

**REACH SVHC**

Contained Per -  
D(2021)4569-DC (8  
July 2021)

Lead

**Halogen-Free**

**Status**

**Not Low-Halogen**

For more information, please visit [Contact US](#)

China ROHS

50 Image

ELV

Not Relevant

RoHS Phthalates

Not Contained

**Search Parts in this Series**

[73138 Series](#)

# Mouser Electronics

Authorized Distributor

Click to View Pricing, Inventory, Delivery & Lifecycle Information:

[Molex:](#)

[73138-5033](#)