

SensiSUB

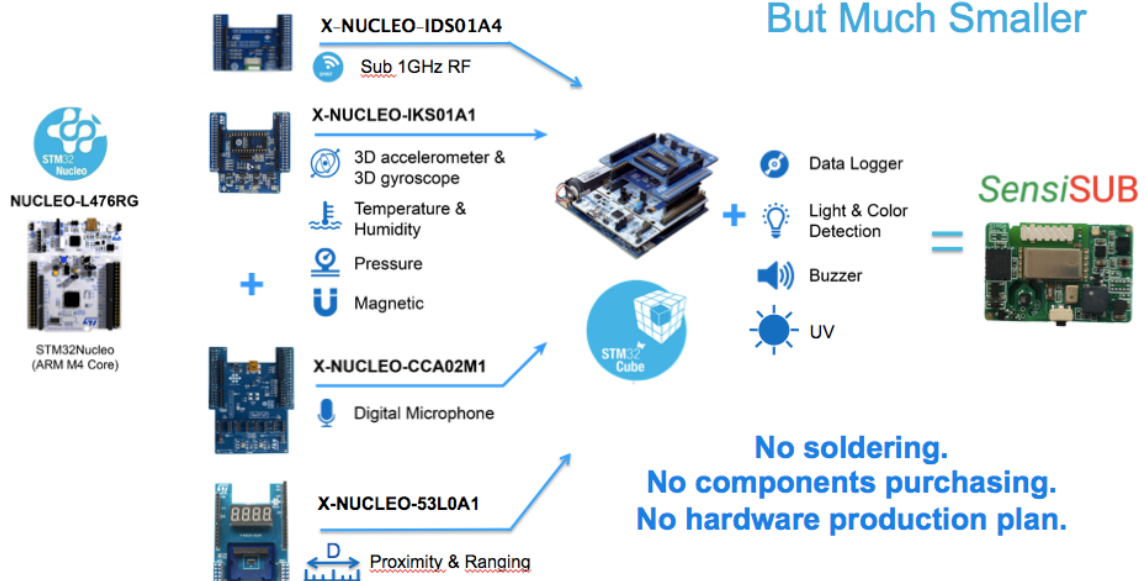
SIMSA-xxx

Version 1.0.0

SensiSUB – Certified Product combining MCU, Sensors and Sub 1GHz.

Same ST Nucleo & X-Nucleo Development Boards

But Much Smaller



List of Content

1	Overview	5
1.1	General Information	5
1.2	Feature's Summary	7
1.3	Block Diagram	9
2	Main Hardware Components	10
2.1	Microcontroller	11
2.1.1	STM32L476	11
2.2	Sub 1GHz	11
2.2.1	SPSGRF	11
2.2.2	SPSGRFC	11
2.3	Sensors	11
2.3.1	LSM6DS3: inertial module: 3D accelerometer and 3D gyroscope	11
2.3.2	LIS3MDL: 3-Axis Magnetometer	12
2.3.3	HTS221TR: humidity and temperature	12
2.3.4	LPS25H: pressure sensor	12
2.3.5	MP34DT01-M: digital microphone	12
2.3.6	APDS-9250: Digital RGB, IR and Ambient Light Sensor	12
2.3.7	VEML6075: UV Sensor	12
2.4	Data Logger	13
2.4.1	AT25XE041B	13
2.5	User Interface	13
2.5.1	LTST-C195KGJRKT Magnetic Buzzer	13
2.5.2	SS304BS Button	13
2.5.3	LTST-C195KGJRKT Dual color chip LED	13
3	External Connectors	14
3.1	Pin Mux	15
4	Microcontroller	17
4.1	STM32L476	17
4.1.1	General Description	17
4.1.2	Features	17
4.1.3	Block Diagram	19
5	SUB 1GHz	20
5.1	SPSGRF and SPSGRFC	20
5.1.1	General Description	20
5.1.2	Features	21
5.1.3	Block Diagram	21
5.1.4	SPSGRF & SPSGRFC Connections and Signals :	21
6	Sensors	23
6.1	3D accelerometer and 3D gyroscope	23
6.1.1	General Description	23
6.1.2	Features	23
6.1.3	Block Diagram	24
6.1.4	Connections and Signals	24
6.2	Magnetic Sensor	26
6.2.1	General Description	26
6.2.2	Features	26
6.2.3	Block Diagram	26
6.2.4	Connections and Signals	27
6.3	Humidity and Temperature Sensor	28

6.3.1	General Description.....	28
6.3.2	Features.....	28
6.3.3	Block Diagram.....	28
6.3.4	Connections and Signals.....	29
6.4	Pressure Sensor.....	30
6.4.1	General Description.....	30
6.4.2	Features.....	30
6.4.3	Block Diagram.....	30
6.4.4	Connections and Signals.....	31
6.5	Digital Microphone.....	32
6.5.1	General Description.....	32
6.5.2	Features.....	32
6.5.3	Block Diagram.....	32
6.5.4	Connections and Signals.....	32
6.6	Digital RGB, IR and Ambient Light Sensor.....	34
6.6.1	General Description.....	34
6.6.2	Features.....	34
6.6.3	Block Diagram.....	34
6.6.4	Connections and Signals.....	35
7	Serial Flash.....	36
7.1	AT25XE041B.....	36
7.1.1	Description.....	36
7.1.2	Features.....	36
7.1.3	Block Diagram.....	37
7.1.4	Connections and Signals.....	37
8	Absolute Maximum Characteristics.....	39
9	Operational Characteristics.....	40
9.1	Power supplies.....	40
9.2	Power Consumption.....	40
10	DC Electrical Characteristics.....	41
11	Environmental Specifications.....	42
12	Mechanical Drawings.....	43
12.1	<i>SensiSUB</i> Module: SIMSA.....	43
12.2	Battery Holder: SIMSA-BAT-CR2032.....	43
12.3	<i>SensiSUB</i> Module with Coin Battery: SIMSA-PRO.....	44

List of Figures

Figure 1	SensiSUB Block Diagram.....	9
Figure 2	SensiSUB Internal & External Connections Diagram	10
Figure 3	SensiSUB's MCU Block Diagram.....	19
Figure 4	Embedded Sub 1GHz Protocol Stack	20
Figure 5	SPSGRF HW Application Block Diagram	21
Figure 6	SPSGRF868/915 & SPSGRFC433/868/915 Schematic Connections	22
Figure 7	LSM6DS3 HW Application Diagram.....	24
Figure 8	LSM6DS3 Schematic Connections.....	24
Figure 9	LIS3MDL Block Diagram	26
Figure 10	LIS3MDL Schematic Connections	27
Figure 11	HTS221 Block Diagram.....	28
Figure 12	HTS221 Schematic Connections	29
Figure 13	LPS25H Block Diagram	30
Figure 14	LPS25H Schematic Connections	31
Figure 15	MP34DT01-M Schematic Connections	32
Figure 16	APDS-9250 Block Diagram.....	34
Figure 17	APDS-9250 Schematic Connections	35
Figure 18	AT25XE041B Block Diagram.....	37
Figure 19	APDS-9250 Schematic Connections	37
Figure 20	SensiSUB Top and Down View [mm].....	43
Figure 21	SensiSUB Battery Holder Top and Down View [mm].....	43
Figure 22	SensiSUB Module with Coin Battery Side View [mm]	44

List of Tables

Table 1	SPSGRF Pin Assignment	22
Table 2	LSM6DS3 Pin Assignment	25
Table 3	LIS3MDL Pin Assignment.....	27
Table 4	HTS221 Pin Assignment.....	29
Table 5	LPS25H Pin Assignment.....	31
Table 6	MP34DT01-M Pin Assignment.....	33
Table 7	APDS-9250 Pin Assignment	35
Table 8	AT25XE041B Pin Assignment	38

1 Overview

1.1 General Information

The *SensiSUB* is a high performance System on Module. *SensiSUB* integrates Micro Controller, variety of Sensors and SUB 1GHZ connectivity. It provides an ideal building block that easily integrates with a wide range of target markets requiring rich functionality. *SensiSUB* Compact, cost effective and with low power consumption.

SensiSUB IoT Module is a World's smallest system-on-board (SoB), self-contained, low-power, outperform Micro-Controller, multiple MEMS sensors and wireless Sub 1GHz connectivity.

The *SensiSUB* enables wireless connectivity, not requiring any RF experience or expertise. It provides a complete RF platform in a tiny form factor and being a certified solution optimizes the time to market of the final applications.

SensiSUB IoT Module is a Bridging-the-Gap solutions to any embedded design. Fit to the vast array of battery-powered applications requiring the integration of Multiple Sensors with SUB 1GHZ connectivity without compromising on cost and power consumption.

SensiSUB Capable to work down to 2v.

Supported products:

1. Base Part numbers

SIMSA-XXX	: SensiSUB Module with internal antenna
SIMSAC-XXX	: SensiSUB Module with u.FL connector
SIMSA-BAT-CR2032	: Battery Holder Coin CR2032 battery

2. SensiSUB Full Configuration Versions

SIMSA868-PRO	: All Sensors + MCU + 868MHz + SIMSA-BAT-CR2032
SIMSA915-PRO	: All Sensors + MCU + 915MHz + SIMSA-BAT-CR2032
SIMSA433C-PRO	: All Sensors + MCU + 433MHz u.FL + SIMSA-BAT-CR2032
SIMSA868C-PRO	: All Sensors + MCU + 868MHz u.FL + SIMSA-BAT-CR2032
SIMSA915C-PRO	: All Sensors + MCU + 915MHz u.FL + SIMSA-BAT-CR2032

3. Eval Kit part Number

SIMSA868-DKL	: SensiSUB Development Kit with Debugger 868MHz
SIMSA915-DKL	: SensiSUB Development Kit with Debugger 915MHz
SIMSA433C-DKL	: SensiSUB Development Kit with Debugger 433 with u.FL connector
SIMSA868C-DKL	: SensiSUB Development Kit with Debugger 868 with u.FL connector
SIMSA915C-DKL	: SensiSUB Development Kit with Debugger 915 with u.FL connector

4. Schematics:

SIMSA868-PRO : module with Sensors + MCU + 868MHz + SIMSA-BAT-CR2032
SIMSA915-PRO : module with Sensors + MCU + 915MHz + SIMSA-BAT-CR2032
SIMSA433C-PRO : module with Sensors + MCU + 433MHz + SIMSA-BAT-CR2032
SIMSA868C-PRO : module with Sensors + MCU + 868MHz + SIMSA-BAT-CR2032
SIMSA915C-PRO : module with Sensors + MCU + 915MHz + SIMSA-BAT-CR2032

5. Software:

X-CUBE-SUBG1

- Firmware package to kick-start development
- Complete middleware to build wireless meter bus (WM-Bus) applications using the WM-Bus library (868MHz only)
- Sample point-to-point communication application for simple buffer transmit and acknowledgement implementation

FP-SNS-6LPNODE1 - STM32 ODE Function Pack for IoT sensor node connection to 6LoWPAN networks through sub-1GHz RF communication

- Complete firmware to connect an IoT node with sensors and actuators to a 6LoWPAN network, using sub-1GHz RF communication technology
- Middleware library with Contiki OS and Contiki 6LoWPAN protocol stack 3.0
- Support for mesh networking technology through the standard RPL protocol
- IPSO Smart Object data representation of the node resources (sensors and actuators)
- Access to the node from a remote server with the OMA Lightweight M2M (LWM2M) standard

Contact SensiEDGE support services for further information:
<mailto:Support@SensiEDGE.com>.

1.2 Feature's Summary

Product Type	Module
Dimension	30 x 20 x 10 mm
RF Communication	Sub 1GHz: 433MHz, 868MHz, 915MHz
SUB 1GHZ Certified Module	SPSGRF & SPSGRFC
Technology	low power sub-GHz
SUB 1GHZ Chipset	ST SPIRIT1
Antenna	Internal / External
RF Conn/ Antenna	Chip Antenna / On-board U.FL connector for external antenna
Modulation schemes:	2-FSK, GFSK, MSK, GMSK, OOk, ASK
Internal High Speed Clock	32MHZ crystal oscillator
External Low Power Clock	32.768KHZ
output power	+11.6 dBm
Receiver sensitivity	-118 dBm
link budget	92dB
Data Rate	1-500 Kb/s
Host Interface	SPI
Certification	CE/FCC/IC Certified
BQE Qualified	BQE qualified (in progress)
Processor	ARM® 32-bit Cortex®-M4 CPU with FPU
Microcontroller	STM32L476RG
Sensors	
Accelerometer, Gyroscope	LSM6DS3
Magnetic sensor	LIS3MDL
Pressure sensor	LPS25H
Relative humidity & temperature	HTS221
Digital MEMS Microphone	MP34DT01-M
Ambient Light Sensor	APDS-9250
UV Sensor	VEML6075

User Input

RG LED	LTST-C195KGRKT
User Button	TL1014
Buzzer	ME05140SMC03

Data Logger

Serial Flash	AT25XE041B-MHN-T
--------------	------------------

Mounting Type

Pin-Header Connector	PS3M34-114GBOTB-U
----------------------	-------------------

Extension Interface

GPIO	18
I2C	2
SPI	2
USART	2
UART	2
ADC (12 bit)	4 ch
USB	OTG FS
PWM	5
SDIO	1
CAN (2.0B Active)	1

Power Interface

Cell Battery	$2 < V_{in} < 3.6$
Coin Cell Battery	CR2025 , CR2032
Rechargeable Battery	Yes (external board)
Mini - USB	Yes (on Carrier Board)
External Power	$4.5v < V_{in} < 7v$

Dimensions

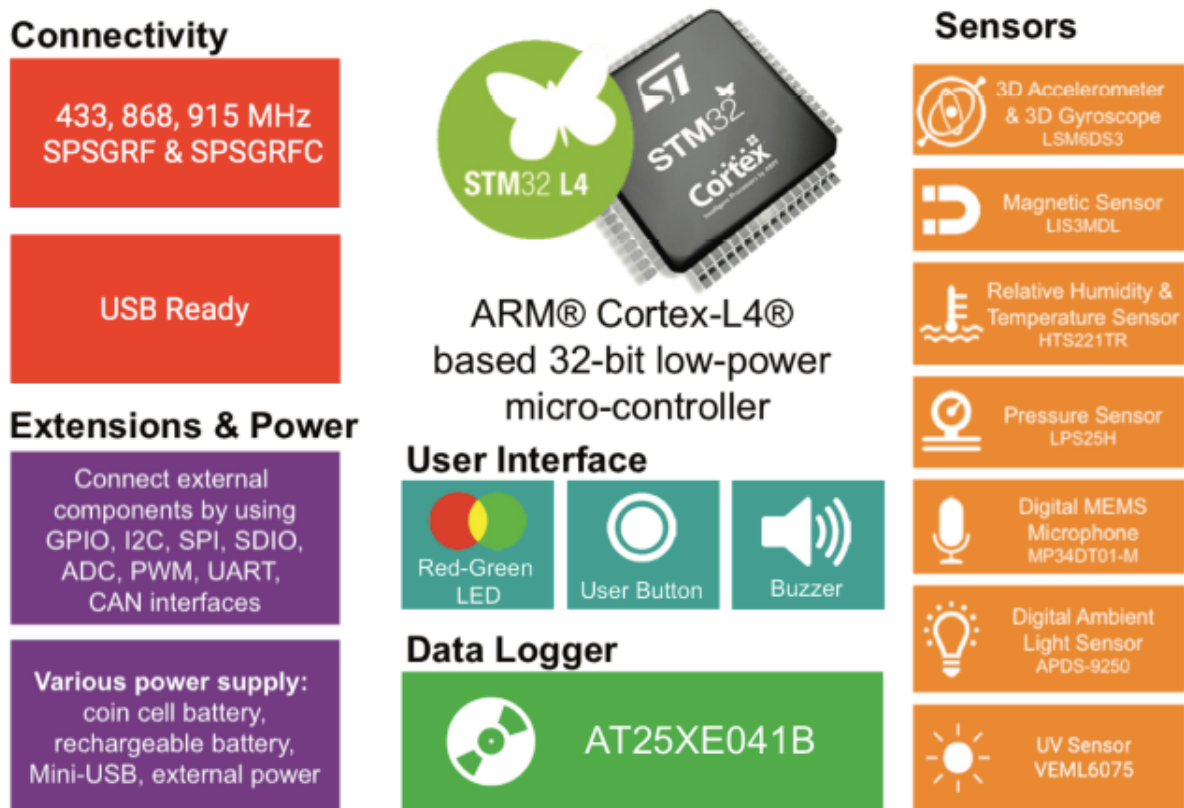
SIMSA	20mm * 30mm
SIMSA height with Battery	10.43mm * 7.5mm
Battery Holder	20 * 22.50

1.3 Block Diagram

The system based on 6 main block's:

- Connectivity
- Micro Controller
- Extensions & Power
- Sensors
- Data Logger
- User Interface

Figure 1 SensiSUB Block Diagram

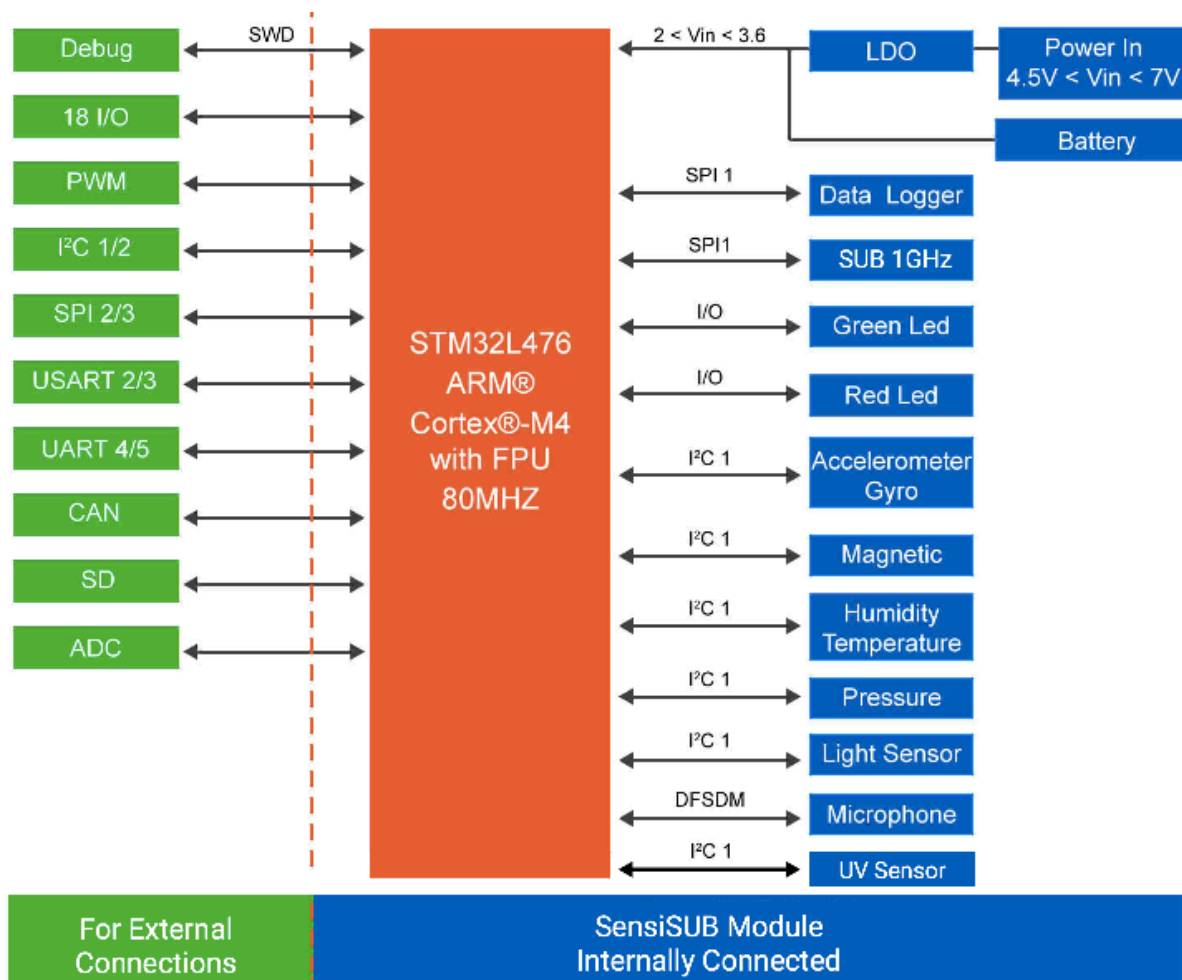


2 Main Hardware Components

This section summarizes the main hardware building blocks of the *SensiSUB* Module. Part of the Connectivity used by the *SensiSUB* module for internal connection between MCU and Sensors.

Microphone using DFSDM interface, Sensors connected to MCU using I²C1, while SUB 1GHZ module and Data Logger connected via SPI1.

Figure 2 SensiSUB Internal & External Connections Diagram



Rest of unused Interfaces is free for user to interconnect with external world:

- 18 I/O
- PWM
- I²C1, I²C2
- SPI2, SPI3
- USART 2, USART3
- UART4, UART5
- CAN
- SD
- ADC

2.1 Microcontroller

2.1.1 STM32L476

The *SensiSUB* module contains ST's STM32L476xx MCU. The STM32L476RG device are the ultra-low-power microcontrollers based on the high-performance ARM® Cortex®-M4 32-bit RISC core operating at a frequency of up to 80 MHz. The Cortex-M4 core features a Floating point unit (FPU) single precision which supports all ARM single-precision data-processing instructions and data types. It also implements a full set of DSP instructions and a memory protection unit (MPU) which enhances application security.

2.2 Sub 1GHz

The *SensiSUB* module contains ST's SPSGRF or SPSGRFC.

2.2.1 SPSGRF

The SPSGRF-868 and SPSGRF-915 are easy-to-use, low power sub-GHz modules based on the SPIRIT1 RF transceiver, operating respectively in the 868 MHz SRD and 915 MHz ISM bands. The SPSGRF series enables wireless connectivity in electronic devices, requiring no RF experience or expertise for integration into the final product. As an FCC, IC, and CE certified solution, the SPSGRF series optimizes the time-to-market of end applications. The SPSGRF-915 is an FCC certified module (FCC ID: S9NSPSGRF) and IC certified (IC 8976C-SPSGRF), while the SPSGRF-868 is certified CE0051.

2.2.2 SPSGRFC

The SPSGRFC is an easy-to-use sub-1 GHz transceiver certified module with many programmable features. It's programmable transceiver module with ufl connector can operate at the 433, 868 or 915 MHz frequency band, SPSGRFC-433, SPSGRFC-868 and SPSGRFC-915, respectively.

The SPSGRFC RF module is CE, FCC and IC certified and integrates wireless connectivity in target electronic devices without requiring particular RF experience or expertise.

The SPSGRFC is pin to pin and firmware compatible with SPSGRF family.

2.3 Sensors

The *SensiSUB* module contains variety of sensors :

- ST's 3D accelerometer and 3D gyroscope
- ST's 3-Axis Magnetometer
- ST's humidity and temperature
- ST's pressure sensor
- ST's digital microphone
- Avago's Digital RGB, IR and Ambient Light Sensor

2.3.1 LSM6DS3: inertial module: 3D accelerometer and 3D gyroscope

The LSM6DS3 is a system-in-package featuring a 3D digital accelerometer and a 3D digital gyroscope. Enabling always-on low-power features for an optimal motion experience.

2.3.2 LIS3MDL: 3-Axis Magnetometer

The LIS3MDL is an ultra low-power high-performance 3-Axis Magnetometer. This device offers the unique flexibility for designers to implement movement and position detection in space-constrained products such as personal navigation devices.

2.3.3 HTS221TR: humidity and temperature

The HTS221 is an ultra compact sensor for relative humidity and temperature. It includes a sensing element consists of a polymer dielectric planar capacitor structure and a mixed signal ASIC to provide the measurement information through digital serial interfaces.

2.3.4 LPS25H: pressure sensor

The LPS25H is an ultra compact absolute piezoresistive pressure sensor. It includes a monolithic sensing element capable to detect.

2.3.5 MP34DT01-M: digital microphone

The MP34DT01-M is an ultra-compact, low-power, omnidirectional, digital MEMS microphone built with a capacitive sensing element and an IC interface.

The sensing element, capable of detecting acoustic waves, is manufactured using a specialized silicon micromachining process dedicated to produce audio sensors.

2.3.6 APDS-9250: Digital RGB, IR and Ambient Light Sensor

The Avago APDS-9250 is a low-voltage digital RGB, IR and ambient light sensor device that converts light intensity to digital output signal. The color-sensing feature is useful in applications such as LED RGB backlight control, solid-state lighting, reflected LED color sampler and fluorescent light color temperature detection. With the IR sensing feature, the device can be used to read the IR content in certain lighting condition and detect the type of light source.

2.3.7 VEML6075: UV Sensor

The Vishay's VEML6075 senses UVA and UVB light and incorporates photodiode, amplifiers, and analog / digital circuits into a single chip using a CMOS process. When the UV sensor is applied, it is able to detect UVA and UVB intensity to provide a measure of the signal strength as well as allowing for UVI measurement.

2.4 Data Logger

2.4.1 AT25XE041B

The *SensiSUB* module contains Adesto[®] AT25XE041B . Adesto's AT25XE041B is a serial flash memory device.

Flexible erase architectures with page erase and block erase sizes make this memory ideal for data storage applications. AT25XE products feature ultra low-energy operation for active current, Program and Erase operations, as well as improved standby energy consumption. The device contains a specialized One-Time Programmable (OTP) security register usable for unique device serialization, system-level electronic serial number storage, and locked key storage.

2.5 User Interface

The *SensiSUB* module contains variety of user interfaces :

- TongKeElectronics's Buzzer (PB11)
- IL SWITCH's Button (PC13)
- Lite-On's RG-LED (Led G @ PA5, Led R @ PC6)

2.5.1 LTST-C195KGJRKT Magnetic Buzzer

TongKE Electronics Buzzer based on Electro-Magnetic Acoustic Transducer for non-contact sound generation and reception using electromagnetic mechanisms.

2.5.2 SS304BS Button

IL SWITCH's is a Side push Surface Horizontal operating direction button.

2.5.3 LTST-C195KGJRKT Dual color chip LED

Lite-On's SMD Red/Green LED based 2 separate LED's in a package, allows two colors (red and green), while only having 4 pins (Dual set cathode and anode) miniature sizes and special configurations for space-sensitive applications. The color of the LED depends on the polarity of the connection, allowing separate and both colors at the same time.

3 External Connectors

The *SensiSUB* exposes two low profile connectors. First J1 is 14 pin while Second J2 is 13 pin Board to Board connectors. The recommended mating connectors for Custom board interfacing are:

Pin Name: J1, J2

J1 - 14 pins 1row 1.27 Female

J2 - 13 pins 1row 1.27 Female

Pin #:	Pin Number
Schematic Name:	MCU name description
Type:	Pin type & direction
	S – Power Pin and/or Ground Pin
	I/O – GPIO

Func (#):	Function Number 1 to 4
Description:	Description of the Pin

3.1 Pin Mux

Table 3.1 and Table 3.2 explain function of connectivity pins in *SensiSUB* module as well Pin MUX and alternate function available.

Table 3.1 - J1 *SensiSUB* Module – Alternate Function

Pin #	Schematic Name	Type	Func1	Func2	Func3	Func4	Description
1	+5V_USB	S					Input voltage from USB +5V
2	VDD	S					+3.3V from voltage regulator
3	PB1	I/O	TIM3_CH4	TIM3_CH3N	ADC12_16		
4	PC4	I/O	ADC12_13	USART3_TX			
5	PB12	I/O	SPI2_NSS				
6	PB13	I/O	SPI2_SCK	I2C2_SCL			
7	PB14	I/O	SPI2_MISO	I2C2_SDA			
8	PC3	I/O	SPI2_MOSI	ADC123_14			
9	PA3	I/O	USART2_RX	TIM2_CH4	TIM5_CH4	TIM15_CH2	
10	PA2	I/O	USART2_TX	TIM2_CH3 TIM5_CH3	TIM15_CH1	ADC12_7	
11	JTCK/SW CLK	I/O					Serial clk pin SWD
12	JTMS/SW DAT	I/O					Serial data pin SWD
13	nReset	I/O					Reset pin
14	GND	S					Ground pin

Table 3.2 - J2 *SensiSUB* Module – Alternate Function

	Schematic Name	Type	Func1	Func2	Func3	Func4	Description
1	PB5	I/O	TIM3_CH2		-	-	
2	GND	S	-	-	-	-	Ground pin
3	PA12	I/O	OTG_FS_DP	CAN1_TX			CAN/USB
4	PA11	I/O	OTG_FS_DM	CAN1_RX			CAN/USB
5	PA10	I/O	TIM1_CH3	OTG_ID			
6	PD2	I/O	SDMMC_CMD	UART5_RX			SDIO_CMD
7	PC12	I/O	SDMMC_CK	UART5_TX		SPI3_MOSI	SDIO_CLK
8	PC11	I/O	SDMMC_D3	USART3_RX	UART4_RX	SPI3_MISO	SDIO DATA3
9	PC10	I/O	SDMMC_D2	USART3_TX	UART4_TX	SPI3_SCK	SDIO DATA2
10	PC9	I/O	SDMMC_D1	TIM3_CH4	TIM8_CH4		SDIO DATA1
11	PC8	I/O	SDMMC_D0	TIM3_CH3	TIM8_CH3		SDIO DATA0
12	I2C1_SCL	I/O	I2C1_SCL				I2C1 bus clock
13	I2C1_SDA	I/O	I2C1_SDA				I2C1 bus data

4 Microcontroller

4.1 STM32L476

4.1.1 General Description

The STM32L476xx are the ultra-low-power microcontrollers based on the high performance ARM Cortex-M4, 32-bit RISC core operating at a frequency of up to 80 MHz.

The Cortex-M4 core features a Floating-point unit (FPU) single precision, which supports all ARM single-precision data-processing instructions and data types. It also implements a full set of DSP instructions and a memory protection unit (MPU) which enhances application security.

The STM32L476 embed high-speed memories (Flash memory up to 1 Mbyte, up to 128 Kbyte of SRAM), an extensive range of enhanced I/Os and peripherals connected to two APB buses, two AHB buses and a 32-bit multi-AHB bus matrix. The STM32L476 embed several protection mechanisms for embedded Flash memory and SRAM: readout protection, write protection, proprietary code readout protection and Firewall.

The devices offer fast 12-bit ADCs (5 Msps), an internal voltage reference buffer, a low-power RTC, two general-purpose 32-bit timer, two 16-bit PWM timers dedicated to motor control, seven general-purpose 16-bit timers, and two 16-bit low-power timers. The Micro Controller support digital filter for external sigma delta modulators (DFSDM).

In addition, 1 capacitive sensing button is available.

They also feature standard and advanced communication interfaces.

- Two I2Cs (I2C1 connected internally to Sensors).
- Three SPIs (SPI1 connected internally to SUB 1GHZ and Serial Flash).
- Two USARTs, two UARTs.
- One SDMMC
- One CAN
- One USB OTG full-speed

The STM32L476xx operates in the -40 to +85 C (+105 C junction), -40 to +105 C (+125 C junction) and -40 to +125 C (+130 C junction) temperature ranges from a 1.71 to 3.6 V power supply. A comprehensive set of power-saving modes allows the design of low power applications.

4.1.2 Features

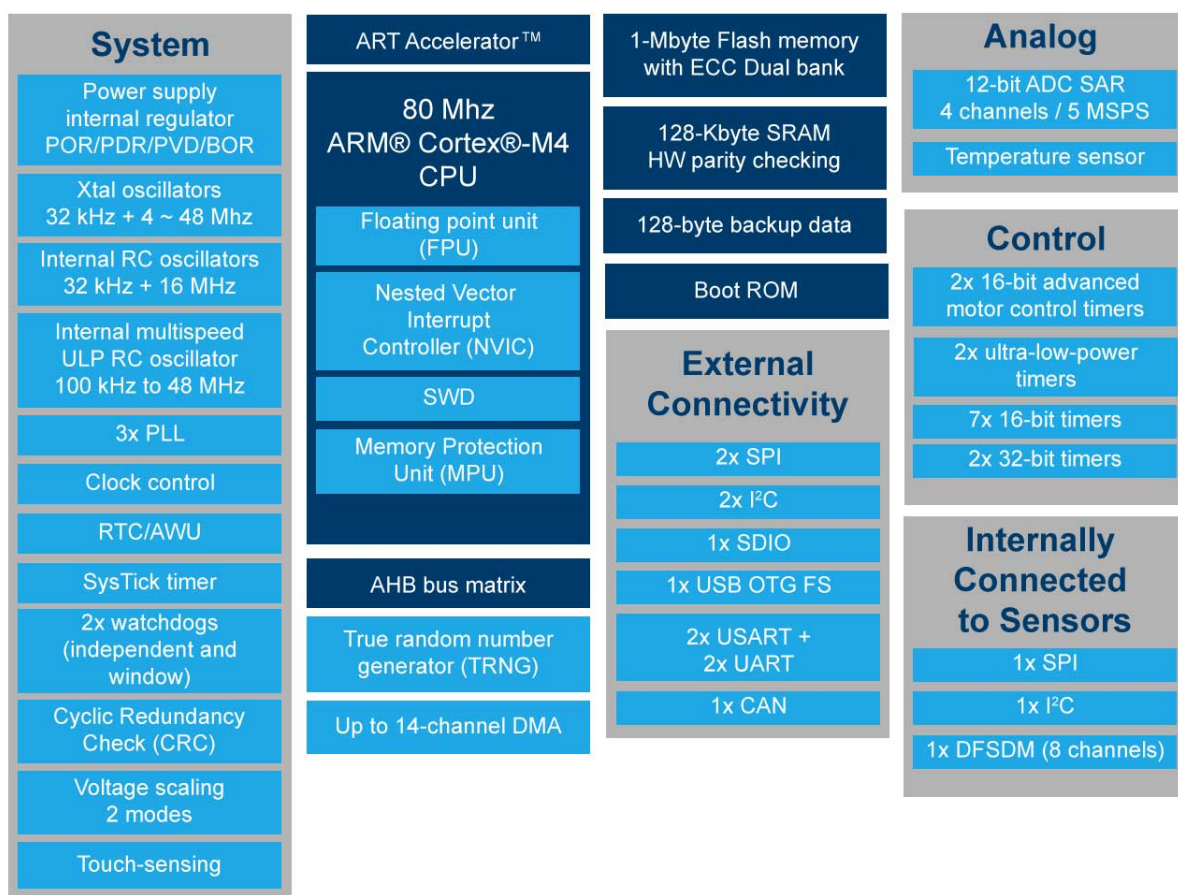
- Core: ARM® 32-bit Cortex®-M4 CPU
 - Frequency up to 80 MHz
 - FPU - Floating Point Unit
 - DSP instructions
 - Adaptive real-time accelerator (ART Accelerator™) allowing 0-wait-state execution from Flash memory
 - MPU – Memory Protecting Unit

- 100DMIPS/1.25DMIPS/MHz (Dhrystone 2.1)
- 14-channel DMA controller
- True random number generator
- CRC calculation unit, 96-bit unique ID
- Memories
 - Up to 1 MB Flash, 2 banks read-while-write, proprietary code readout protection
 - Up to 128 KB of SRAM including 32 KB with hardware parity check
- Ultra-low-power with FlexPowerControl
 - 300 nA in VBAT mode: supply for RTC and 32x32-bit backup registers
 - 30 nA Shutdown mode (5 wakeup pins)
 - 120 nA Standby mode (5 wakeup pins)
 - 420 nA Standby mode with RTC
 - μ A Stop 2 mode, 1.4 μ A Stop 2 with RTC
 - 100 μ A/MHz run mode
 - Batch acquisition mode (BAM)
 - 4 μ s wakeup from Stop mode
 - Brown out reset (BOR) in all modes except shutdown
 - Interconnect matrix
- Clock Sources
 - 4 to 48 MHz crystal oscillator
 - 32 kHz crystal oscillator for RTC (LSE)
 - Internal 16 MHz factory-trimmed RC ($\pm 1\%$)
 - Internal low-power 32 kHz RC ($\pm 5\%$)
 - Internal multispeed 100 kHz to 48 MHz oscillator, auto-trimmed by LSE (better than $\pm 0.25\%$ accuracy)
 - 3 PLLs for system clock, USB, audio, ADC
 - RTC with HW calendar, alarms and calibration
- 1 capacitive sensing channels: support touchkey
- Timers
 - 16x timers: 2 x 16-bit advanced motor-control, 2 x 32-bit and 5 x 16-bit general purpose, 2x 16-bit basic, 2x low-power 16-bit timers (available in Stop mode), 2x watchdogs, SysTick timer
- digital filters for sigma delta modulator
- Analog
 - Rich analog peripherals (independent supply)
 - 12-bit ADC 5 Msps, up to 16-bit with hardware oversampling, 200 μ A/Msps
- Communication:
 - 10x communication interfaces
 - USB OTG 2.0 full-speed, LPM and BCD
 - 2x I2C FM+(1 Mbit/s), SMBus/PMBus
 - 2x USARTs (ISO 7816, LIN, IrDA, modem)
 - 2x USARTs (ISO 7816, LIN, IrDA, modem)
 - 2x SPIs

- CAN (2.0B Active)
- SDMMC interface
- Development support: serial wire debug (SWD).
- 1.71 V to 3.6 V power supply
- -40 °C to 85/105/125 °C temperature range

4.1.3 Block Diagram

Figure 3 SensiSUB's MCU Block Diagram



(* Some of the peripherals are connected internally on-board sensors, others are available at extension connector (list).

5 SUB 1GHz

5.1 SPSGRF and SPSGRFC

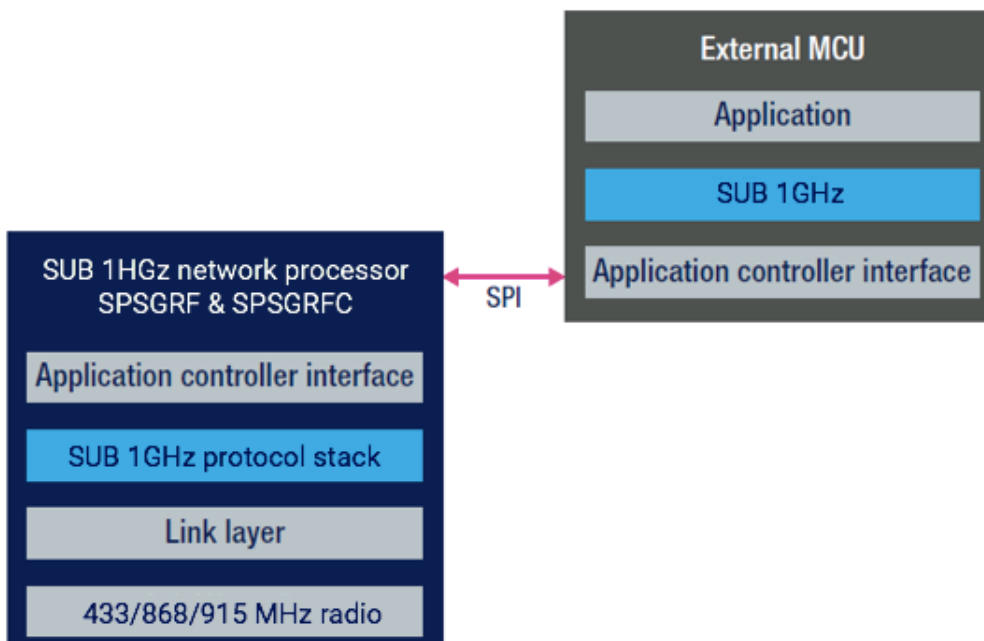
5.1.1 General Description

The SPSGRF and SPSGRFC is an easy-to-use sub-1 GHz transceiver certified module with many programmable features. The module provides a complete RF platform in a tiny form factor. The module can operate at the 433, 868 or 915 MHz frequency band, SPSGRFC-433, SPSGRF-868, SPSGRFC-868, SPSGRF-915 and SPSGRFC-915, respectively.

The *SensiSUB* integrates SPSGRF and SPSGRFC RF module is CE, FCC and IC certified. *SensiSUB* is a Sensor with Wireless connectivity in target electronic devices without requiring particular RF experience or expertise. This certified solution optimizes the time to market of the final applications. It provides a complete RF platform in a tiny form factor and being a certified solution optimizes the time to market of the final applications.

Application resides in the *SensiSUB*'s host application processor STM32L476, is interfaced with the SPSGRF module through an application controller interface protocol, which is based on a standard SPI interface.

Figure 4 Embedded Sub 1GHz Protocol Stack



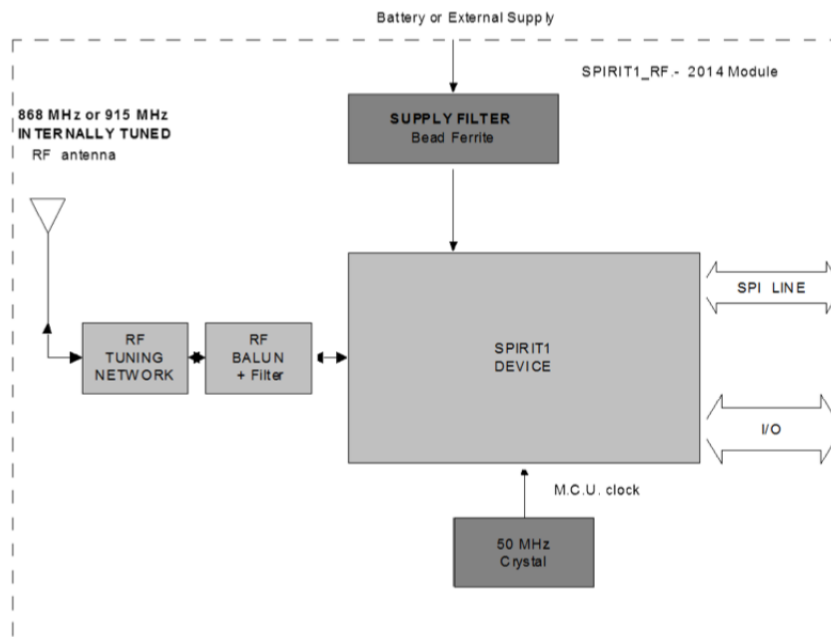
The entire stack and protocols are embedded in the SUB 1GHz Module.

5.1.2 Features

- Programmable radio features
 - Based on Sub-1GHz SPIRIT1 transceiver and integrated Balun (BALF-SPI-01D3)
 - Modulation schemes: 2-FSK, GFSK, MSK, GMSK, OOK, ASK
 - Air data rate from 1 to 500 kbps
 - On-board antenna
 - Operating temperature range from -40 °C to 85 °C
- RF features
 - Receiver sensitivity: -118 dBm
 - Programmable RF output power up to +11.6 dBm
- Host interface
 - SPI
- General I/O
 - Up to 32 programmable I/O functions on 4 GPIO programmable module pins
- Two typical carrier frequency versions:
 - SPSGRF-868 with 868 MHz tuned antenna
 - SPSGRF-915 with 915 MHz tuned antenna

5.1.3 Block Diagram

Figure 5 SPSGRF HW Application Block Diagram



5.1.4 SPSGRF & SPSGRFC Connections and Signals :

SPSGRF868/915 and SPSGRFC433/868/915, SUB-1GHz Certified Module soldered on top of *SensiSUB* PCB to gain the Certification done previously by STMICROELECTRONICS. The module connected by SPI1.

Figure 6 SPSGRF868/915 & SPSGRFC433/868/915 Schematic Connections

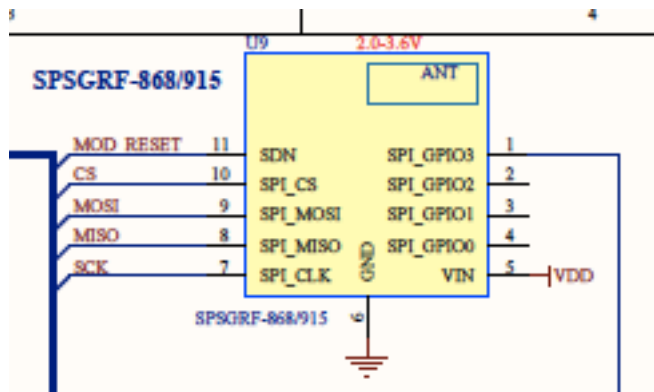


Table 1 SPSGRF Pin Assignment

Name	Type	Pin #	Description	V max Tolerant
SPI Interface				
SPI_CLK	I	7	SPI Clock (max. 8 MHZ)	Vin
SPI_MISO	O	8		Vin
SPI_MOSI	I	9		Vin
SPI_CS	I	10		Vin
Power and Ground				
Vin		5	Vin	(1.8V – 3.6V max)
GND		6	GND	
Reset				
SDN	I	11	Reset Input (active low $< 0.35V_{in}$)	(1.8V – 3.6V max)
GPIO - general purpose input/output				
GPIO[0]	I/O	4	Programmable input / output & analog temperature output	(1.8V - Vin max.)
GPIO[0]	I/O	3	Programmable input / output	(1.8V - Vin max.)
GPIO[0]	I/O	2	Programmable input / output	(1.8V - Vin max.)
GPIO[0]	I/O	1	Programmable input / output	(1.8V - Vin max.)

6 Sensors

6.1 3D accelerometer and 3D gyroscope

6.1.1 General Description

The LSM6DS3 is a system-in-package featuring both high-performance 3-axis digital accelerometer and 3-axis digital gyroscope.

The integrated power-efficient modes are able to reduce the power consumption down to 1.25 mA in high-performance mode, combining always-on low-power features with superior sensing precision for an optimal motion experience for the consumer thanks to ultra-low noise performance for both the gyroscope and accelerometer.

The LSM6DS3 delivers best-in-class motion sensing that can detect orientation and gestures in order to empower application developers with features and capabilities that are more sophisticated than simply orienting their devices to portrait and landscape mode.

The event-detection interrupts enable efficient and reliable motion tracking and contextual awareness, implementing hardware recognition of free-fall events, 6D orientation, tap and double-tap sensing, activity or inactivity, and wakeup events.

The LSM6DS3 supports main OS requirements, offering real, virtual and batch mode sensors. In addition, the LSM6DS3 can efficiently run the sensor-related features specified in Android, saving power and enabling faster reaction time. In particular, the LSM6DS3 has been designed to implement hardware features such as significant motion, tilt, pedometer functions, time stamping and to support the data acquisition of an external magnetometer with ironing correction (hard, soft).

6.1.2 Features

- Power consumption: 0.9 mA in combo normal mode and 1.25 mA in combo high-performance mode up to 1.6 kHz.
- “Always-on” experience with low power consumption for both accelerometer and gyroscope
- Smart FIFO up to 8 kbyte data buffering based on features set
 - 100% efficiency with flexible configurations and partitioning
 - possibility to store timestamp
- Event-detection interrupts (fully configurable):
 - free-fall
 - wakeup
 - 6D orientation
 - tap and double-tap sensing
 - activity / inactivity recognition
- Specific IP blocks with negligible power consumption and high-performance:
 - pedometer functions: step detector and step counters
 - tilt detection (Android compliant)
 - significant motion (Android compliant)

Table 2 LSM6DS3 Pin Assignment

Pin#	Name	Mode 1 function	Mode 2 Function
1	SDO/SA0	SPI 4-wire interface serial data output (SDO) I ² C Least significant bit of the device address (SA0)	SPI 4-wire interface serial data output (SDO) I ² C Least significant bit of the device address (SA0)
2	SDx	Connect to VDDIO or GND	I ² C Serial data master (MSDA)
3	SCx	Connect to VDDIO or GND	I ² C Serial data master (MSDA)
4	INT1	Programmable interrupt 1	
5	VDDIO ⁽¹⁾	Power supply for I/O pins	
6	GND	0 V supply	
7	GND	0 V supply	
8	VDD ⁽²⁾	Power suppl	
9	INT2	Programmable interrupt 2 (INT2)/Data enable (DEN)	Programmable interrupt 2 (INT2)/Data enable (DEN)/ I ² C master external synchronization signal (MDRDY)
10	NC ⁽³⁾	Leave unconnected	
11	NC ⁽³⁾	Leave unconnected	
12	CS	I ² C /SPI mode selection (1:SPI idle mode / I ² C communication enabled; 0:SPI communication mode/ I ² C disabled)	I ² C /SPI mode selection (1:SPI idle mode / I ² C communication enabled; 0:SPI communication mode/ I ² C disabled)
13	SCL	I ² C serial clock (SCL) SPI serial port clock (SPC)	I ² C serial clock (SCL) SPI serial port clock (SPC)
14	SDA	I ² C serial data (SDA) SPI serial data input (SDI) 3-wire interface serial data output (SDO)	I ² C serial data (SDA) SPI serial data input (SDI) 3-wire interface serial data output (SDO)

6.2 Magnetic Sensor

6.2.1 General Description

The *SensiSUB* module contains ST's LIS3MDL. The LIS3MDL is an ultra-low-power high-performance three-axis magnetic sensor.

The LIS3MDL has user-selectable full scales of $\pm 4/ \pm 8/ \pm 12/ \pm 16$ gauss.

The self-test capability allows the user to check the functioning of the sensor in the final application.

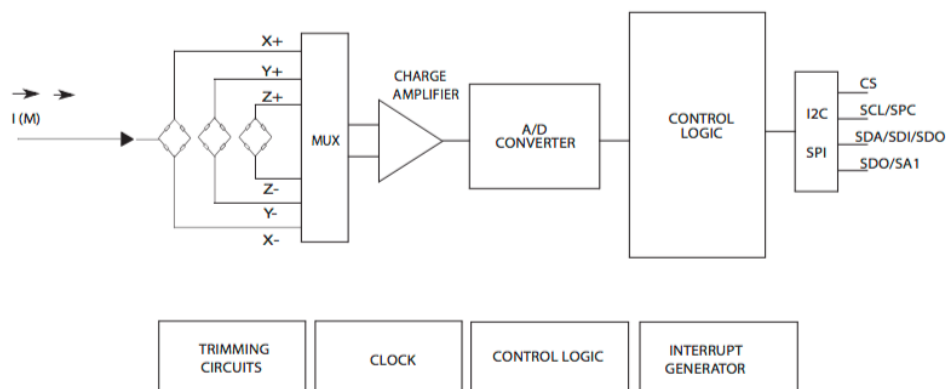
The device may be configured to generate interrupt signals for magnetic field detection.

6.2.2 Features

- Wide supply voltage, 1.9 V to 3.6 V
- Independent IO supply (1.8 V)
- $\pm 4/ \pm 8/ \pm 12/ \pm 16$ gauss selectable magnetic full scale
- Continuous and single-conversion modes
- 16-bit data output
- Interrupt generator
- Self-test
- I2C digital output interface
- Power-down mode/ low-power mode
- ECOPACK®, RoHS and “Green” compliant

6.2.3 Block Diagram

Figure 9 LIS3MDL Block Diagram



6.2.4 Connections and Signals

Figure 10 LIS3MDL Schematic Connections

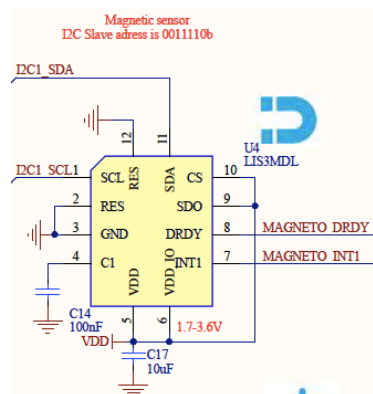


Table 3 LIS3MDL Pin Assignment

Pin#	Name	Function
1	SCL SPC	I^2C Serial clock (SCL) SPI serial port clock (SPC)
2	Reserved	Connect to GND
3	GND	Connect to GND
4	C1	Capacitor connection (C1=100nf)
5	Vdd	Power supply
6	Vdd_IO	Power supply for I/O pins
7	INT	interrupt
8	DRDY	Data Ready
9	SDO SA1	SPI serial data output (SDO) I^2C less significant bit of the device address (SA1)
10	CS	SPI enable /SPI mode selection (1: SPI idle mode / I^2C communication enabled; 0: SPI commication mode / I^2C disabled)
11	SDA SDI SDO	I^2C serial data (SDA) SPI serial data input (SDI) 3-wire interface serial data output (SDO)
12	Reserved	Connect to GND

6.3 Humidity and Temperature Sensor

6.3.1 General Description

The *SensiSUB* module contains ST's HTS221. The HTS221 is an ultra compact sensor for relative humidity and temperature. It includes a sensing element and a mixed signal ASIC to provide the measurement information through digital serial interfaces.

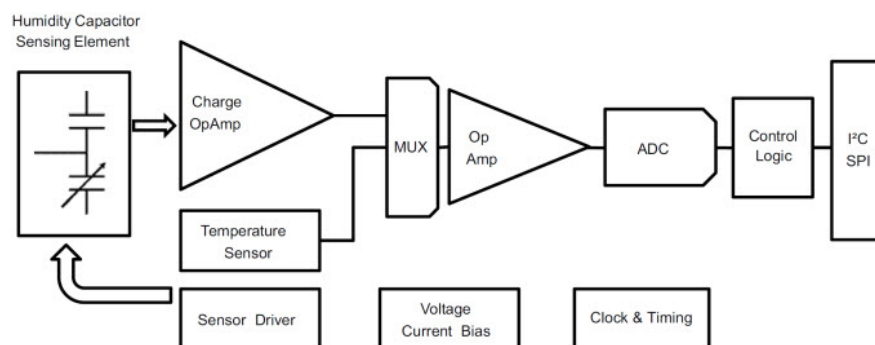
The sensing element consists of a polymer dielectric planar capacitor structure capable of detecting relative humidity variations.

6.3.2 Features

- 0 to 100% relative humidity range
- Supply voltage: 1.7 to 3.6 V
- Low power consumption: 2 μA @ 1 Hz ODR
- Selectable ODR from 1 Hz to 12.5 Hz
- High rH sensitivity: 0.004% rH/LSB
- Humidity accuracy: $\pm 3.5\%$ rH, 20 to +80% rH
- Temperature accuracy: ± 0.5 $^{\circ}\text{C}$, 15 to +40 $^{\circ}\text{C}$
- Embedded 16-bit ADC
- 16-bit humidity and temperature output data
- I²C interfaces
- Factory calibrated
- Tiny 2 x 2 x 0.9 mm package
- ECOPACK® compliant

6.3.3 Block Diagram

Figure 11 HTS221 Block Diagram



6.3.4 Connections and Signals

Figure 12 HTS221 Schematic Connections

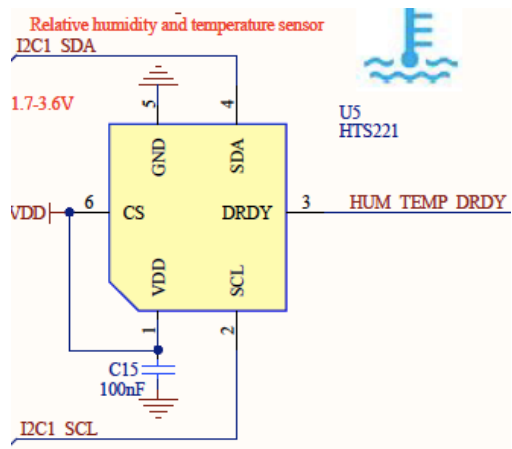


Table 4 HTS221 Pin Assignment

Pin #	Name	Function
1	Vdd	Power Supply
2	SCL	I^2C serial clock (SCL)
3	DRDY	Data Ready output signal
4	SDA	I^2C serial data (SDA)
5	GND	Ground
6	SPI enable	I^2C /SPI mode selection 1: SPI idle mode / I^2C communication enabled

6.4 Pressure Sensor

6.4.1 General Description

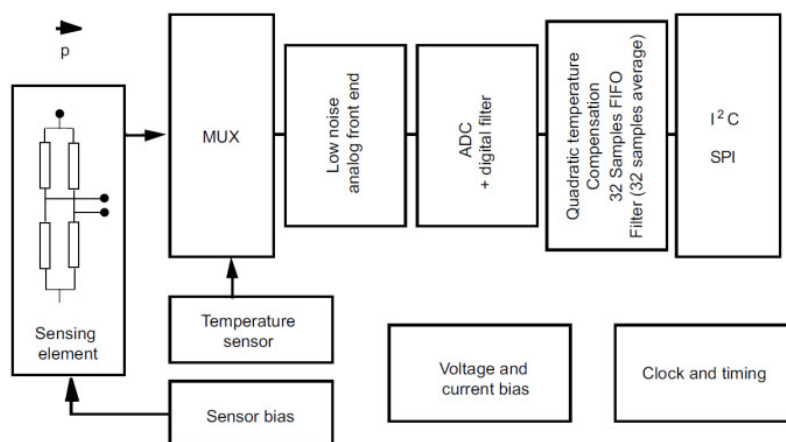
The *SensiSUB* module contains ST's LPS25H. The LPS25H is an ultra compact absolute piezoresistive pressure sensor. It includes a monolithic sensing element and an IC interface able to take the information from the sensing element and to provide a digital signal. The sensing element consists of a suspended membrane realized inside a single mono-silicon substrate.

6.4.2 Features

- 260 to 1260 mbar absolute pressure range
- High-resolution mode: 1 Pa RMS
- Low power consumption:
- Low resolution mode: 4 μA
- High resolution mode: 25 μA
- High overpressure capability: 20x full scale
- Embedded temperature compensation
- Embedded 24-bit ADC
- Selectable ODR from 1 Hz to 25 Hz
- I²C interfaces
- Embedded FIFO
- Supply voltage: 1.7 to 3.6 V
- High shock survivability: 10,000 g
- Small and thin package
- ECOPACK® lead-free compliant

6.4.3 Block Diagram

Figure 13 LPS25H Block Diagram



6.4.4 Connections and Signals

Figure 14 LPS25H Schematic Connections

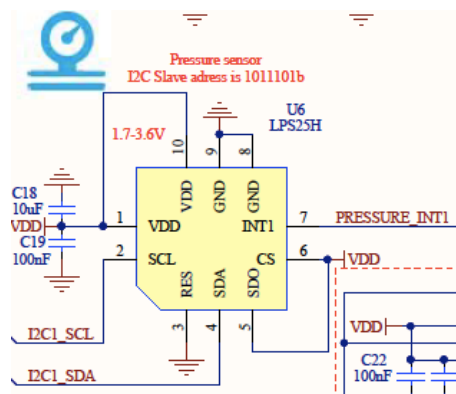


Table 5 LPS25H Pin Assignment

Pin Number	Name	Function
1	Vdd_IO	Power supply for I/O pins
2	SCL SPC	I^2C Serial clock (SCL) SPI serial port clock (SPC)
3	Reserved	Connect to GND
4	SDA SDI SDI/SDO	I^2C Serial data (SDA) 4-wire SPI serial data input (SDI) 3-wire serial data input/output (SDI/SDO)
5	SDO SA0	4-wire SPI serial data output (SDO) I^2C less significant bit of the device address (SA0)
6	CS	SPI enable I^2C / SPI mode selection (1: SPI idle mode / communication enabled; 0: SPI communication mode / I^2C disabled)
7	INT_DRDY	Interrupt or Data Ready
8	GND	0V supply
9	GND	0V supply
10	VDD	Power supply

6.5 Digital Microphone

6.5.1 General Description

The *SensiSUB* module contains ST's MP34DT01-M. The MP34DT01-M is an ultra-compact, low-power, omnidirectional, digital MEMS microphone built with a capacitive sensing element and an IC interface.

The sensing element, capable of detecting acoustic waves. Able to provide a digital signal externally in PDM format.

The MP34DT01-M has an acoustic overload point of 120 dB SPL with a 61 dB signal-to-noise ratio and -26 dBFS sensitivity.

6.5.2 Features

- Single supply voltage
- Low power consumption
- 120 dB SPL acoustic overload point
- 61 dB signal-to-noise ratio
- Omnidirectional sensitivity
 - 26 dBFS sensitivity
- PDM output
- HCLGA package
- Top-port design
- SMD-compliant
- EMI-shielded
- ECOPACK[®], RoHS, and “Green” compliant

6.5.3 Block Diagram

TBD

6.5.4 Connections and Signals

Figure 15 MP34DT01-M Schematic Connections

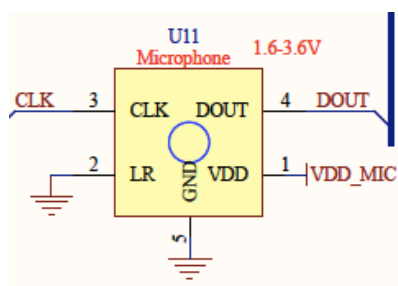


Table 6 MP34DT01-M Pin Assignment

Pin #	Pin name	Function
1	Vdd	Power supply
2	LR	Left/Right channel selection
3	CLK	Synchronization input clock
4	DOUT	Left/Right PDM data output
5 (ground ring)	GND	0 V Supply

6.6 Digital RGB, IR and Ambient Light Sensor

6.6.1 General Description

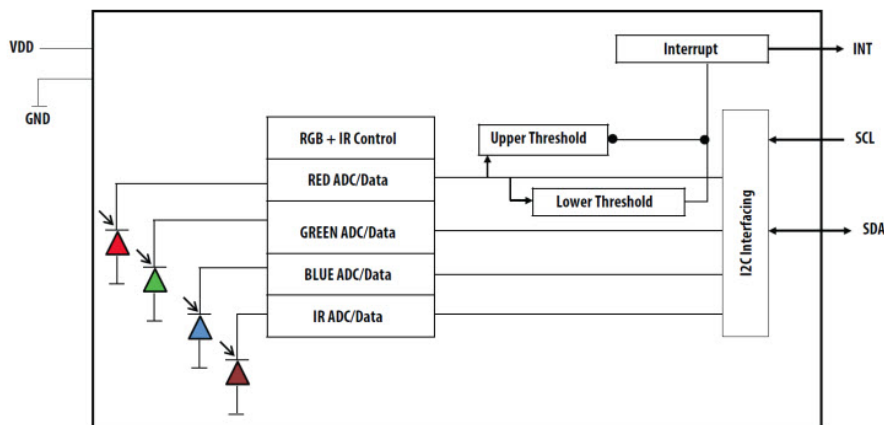
The *SensiSUB* module contains Avago's APDS-9250. The Avago APDS-9250 is a low-voltage digital RGB, IR and ambient light sensor device that convert light intensity to digital output signal. The device supports I2C-bus interface and has a programmable interrupt controller that takes minimal micro-controller (MCU) resources. The color-sensing feature is useful in applications such as LED RGB backlight control, solid-state lighting, reflected LED color sampler and fluorescent light color temperature detection. With the IR sensing feature, the device can be used to read the IR content in certain lighting condition and detect the type of light source.

6.6.2 Features

- Colour and Ambient Light Sensing (CS-RGB and ALS)
 - Accuracy of Correlated Color Temperature (CCT)
 - Individual channels for Red, Green, Blue and Infrared
 - Approximates Human Eye Response with Green Channel
 - Red, Green, Blue, Infrared and ALS Sensing
 - High Sensitivity in low lux condition - Ideally suited for Operation Behind Dark Glass
 - Wide Dynamic Range: 18,000,000: 1
 - Up to 20-Bit Resolution
- Power Management
 - Low Active Current - 130 μ A typical
 - Low Standby Current - 1 μ A typical
- I2C-bus Fast Mode Compatible Interface
 - Up to 400kHz (I2C Fast-Mode)
 - Dedicated Interrupt Pin

6.6.3 Block Diagram

Figure 16 APDS-9250 Block Diagram



6.6.4 Connections and Signals

Figure 17 APDS-9250 Schematic Connections

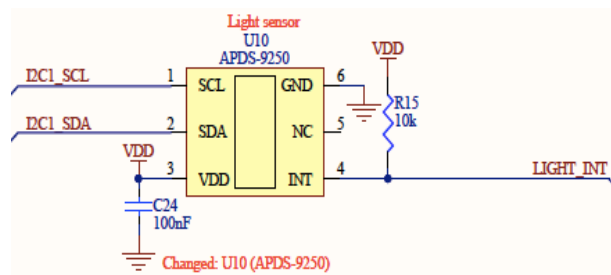


Table 7 APDS-9250 Pin Assignment

Pin	Name	Type	Description
1	SCL	I	I^2C Serial Clock input Terminal – Clock Signal for I2C Serial Data
2	SDA	I/O	Serial Data I/O for I^2C
3	VDD	Supply	Power Supply Voltage
4	INT	O	Interrupt – Open Drain
5	NC		No Connect
6	GND	Ground	Power Supply Ground. All Voltage and reference to GND.

7 Serial Flash

7.1 AT25XE041B

7.1.1 Description

The Adesto® AT25XE041B is a serial interface Flash memory device designed for use in applications in which program code is shadowed from Flash memory into embedded or external RAM for execution. The flexible erase architecture of the AT25XE041B, with its page erase granularity it is ideal for data storage as well, eliminating the need for additional data storage devices. The erase block sizes of the AT25XE041B have been optimized to meet the needs of today's code and data storage applications. By optimizing the size of the erase blocks, the memory space can be used much more efficiently. Because certain code modules and data storage segments must reside by themselves in their own erase regions, the wasted and unused memory space that occurs with large sectored and large block erase Flash memory devices can be greatly reduced. This increased memory space efficiency allows additional code routines and data storage segments to be added while still maintaining the same overall device density. The device also contains a specialized OTP (One-Time Programmable) Security Register that can be used for purposes such as unique device serialization, system-level Electronic Serial Number (ESN) storage, locked key storage, etc. The AT25XE041B supports read, program, and erase operations.

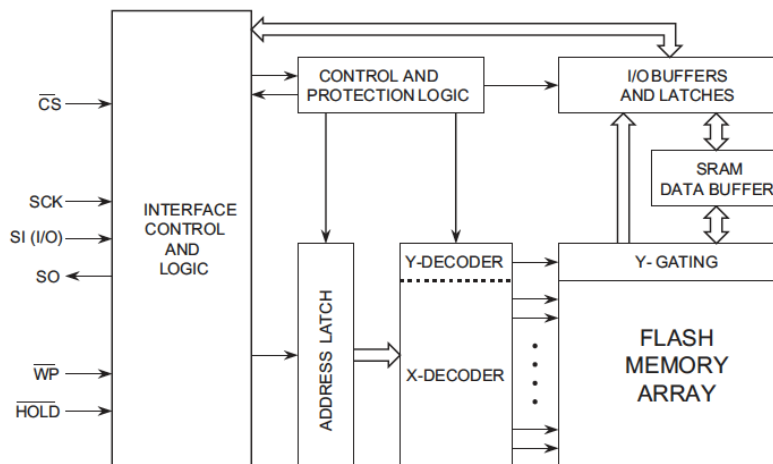
7.1.2 Features

- Single 1.65V - 3.6V Supply
- Serial Peripheral Interface (SPI) Compatible
 - Supports SPI Modes 0 and 3
 - Supports Dual-I/O Operation
- 85MHz Maximum Operating Frequency
 - Clock-to-Output (tV) of 6 ns
- Flexible, Optimized Erase Architecture for Code + Data Storage Applications
 - Uniform 4-Kbyte Block Erase
 - Uniform 32-Kbyte Block Erase
 - Uniform 64-Kbyte Block Erase
 - Full Chip Erase
- Hardware Controlled Locking of Protected Sectors via WP Pin
- 128-byte, One-Time Programmable (OTP) Security Register
 - 64 bytes factory programmed with a unique identifier
 - 64 bytes user programmable
- Flexible Programming
 - Byte/Page Program (1 to 256 Bytes)
 - Dual-Input Byte/Page Program (1 to 256 Bytes)
 - Sequential Program Mode Capability
- Fast Program and Erase Times
 - 2ms Typical Page Program (256 Bytes) Time
 - 45ms Typical 4-Kbyte Block Erase Time
 - 360ms Typical 32-Kbyte Block Erase Time

- 720ms Typical 64-Kbyte Block Erase Time
- Automatic Checking and Reporting of Erase/Program Failures
- Software Controlled Reset
- JEDEC Standard Manufacturer and Device ID Read Methodology
- Low Power Dissipation
 - 200nA Ultra Deep Power Down current (Typical)
 - 5µA Deep Power-Down Current (Typical)
 - 25uA Standby current (Typical)
 - 3.5mA Active Read Current (Typical)
- Endurance: 100,000 Program/Erase Cycles
- Data Retention: 20 Years
- Complies with Full Industrial Temperature Range

7.1.3 Block Diagram

Figure 18 AT25XE041B Block Diagram



7.1.4 Connections and Signals

Figure 19 APDS-9250 Schematic Connections

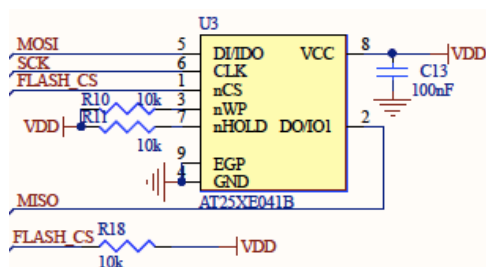


Table 8 AT25XE041B Pin Assignment

Symbol	Name and Function	Asserted State	Type
\overline{CS}	CHIP SELECT: Asserting the \overline{CS} pin selects the device. When the \overline{CS} pin is deasserted, the device will be deselected and normally be placed in standby mode (not Deep Power-Down mode), and the SO pin will be in a high-impedance state. When the device is deselected, data will not be accepted on the SI pin. A high-to-low transition on the \overline{CS} pin is required to start an operation, and a low-to-high transition is required to end an operation. When ending an internally self-timed operation such as a program or erase cycle, the device will not enter the standby mode until the completion of the operation.	Low	Input
SCK	SERIAL CLOCK: This pin is used to provide a clock to the device and is used to control the flow of data to and from the device. Command, address, and input data present on the SI pin is always latched in on the rising edge of SCK, while output data on the SO pin is always clocked out on the falling edge of SCK.	-	Input
SI (I/O ₀)	SERIAL INPUT: The SI pin is used to shift data into the device. The SI pin is used for all data input including command and address sequences. Data on the SI pin is always latched in on the rising edge of SCK. With the Dual-Output Read commands, the SI Pin becomes an output pin (I/O ₀) in conjunction with other pins to allow two bits of data on (I/O ₁₋₀) to be clocked out on every falling edge of SCK. To maintain consistency with the SPI nomenclature, the SI (I/O ₀) pin will be referenced as the SI pin unless specifically addressing the Dual-I/O modes in which case it will be referenced as I/O ₀ . Data present on the SI pin will be ignored whenever the device is deselected (CS is deasserted).	-	Input/ Output
SO (I/O ₁)	SERIAL OUTPUT: The SO pin is used to shift data out from the device. Data on the SO pin is always clocked out on the falling edge of SCK. With the Dual-Output Read commands, the SO Pin remains an output pin (I/O ₁) in conjunction with other pins to allow two bits of data on (I/O ₁₋₀) to be clocked out on every falling edge of SCK. To maintain consistency with the SPI nomenclature, the SO (I/O ₁) pin will be referenced as the SO pin unless specifically addressing the Dual-I/O modes in which case it is referenced as I/O ₁ . The SO pin will be in a high-impedance state whenever the device is deselected (CS is deasserted).	-	Input/ Output
\overline{WP}	WRITE PROTECT: The \overline{WP} pin controls the hardware locking feature of the device. Please refer to “Protection Commands and Features” on page 17 for more details on protection features and the \overline{WP} pin. The \overline{WP} pin is internally pulled-high and may be left floating if hardware controlled protection will not be used. However, it is recommended that the \overline{WP} pin also be externally connected to V _{cc} whenever possible.	Low	Input
\overline{HOLD}	HOLD: The \overline{HOLD} pin is used to temporarily pause serial communication without deselecting or resetting the device. While the \overline{HOLD} pin is asserted, transitions on the SCK pin and data on the SI pin will be ignored, and the SO pin will be in a high-impedance state. The CS pin must be asserted, and the SCK pin must be in the low state in order for a Hold condition to start. A Hold condition pauses serial communication only and does not have an effect on internally self-timed operations such as a program or erase cycle. Please refer to “Hold” on page 35 for additional details on the Hold operation. The \overline{HOLD} pin is internally pulled-high and may be left floating if the Hold function will not be used. However, it is recommended that the \overline{HOLD} pin also be externally connected to V _{cc} whenever possible.	Low	Input
V _{cc}	DEVICE POWER SUPPLY: The V _{cc} pin is used to supply the source voltage to the device. Operations at invalid V _{cc} voltages may produce spurious results and should not be attempted.	-	Power
GND	GROUND: The ground reference for the power supply. GND should be connected to the system ground.	-	Power

8 Absolute Maximum Characteristics

TBD

9 Operational Characteristics

9.1 Power supplies

TBD

9.2 Power Consumption

TBD

10 DC Electrical Characteristics

TBD

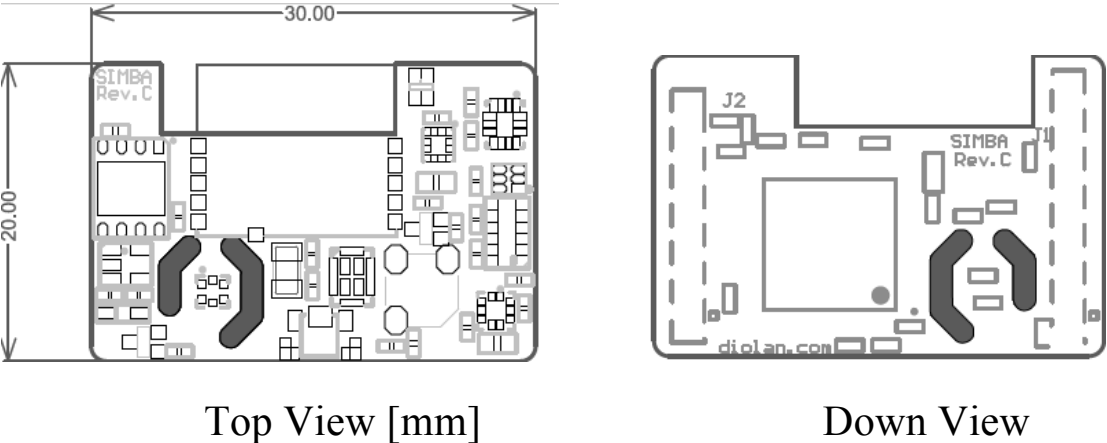
11 Environmental Specifications

TBD

12 Mechanical Drawings

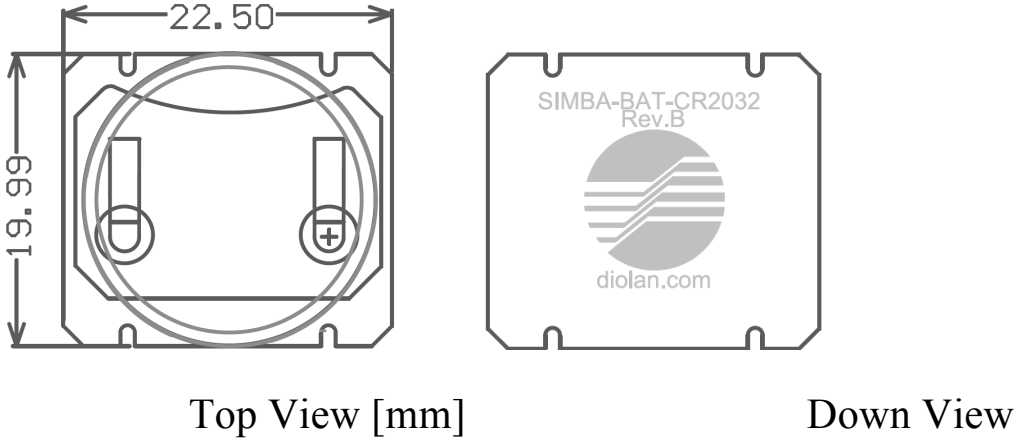
12.1 SensiSUB Module: SIMSA

Figure 20 SensiSUB Top and Down View [mm]



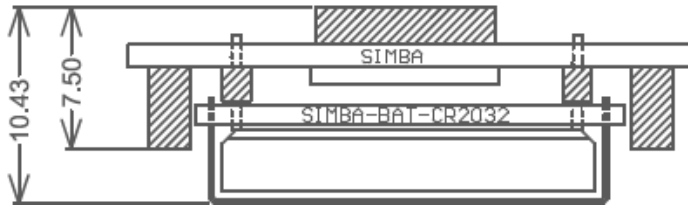
12.2 Battery Holder: SIMSA-BAT-CR2032

Figure 21 SensiSUB Battery Holder Top and Down View [mm]



12.3 SensiSUB Module with Coin Battery: SIMSA-PRO

Figure 22 SensiSUB Module with Coin Battery Side View [mm]



Side View [mm]

Mouser Electronics

Authorized Distributor

Click to View Pricing, Inventory, Delivery & Lifecycle Information:

[SensiEDGE:](#)

[SIMSA433C-PRO](#) [SIMSA915C-PRO](#) [SIMSA868C-PRO](#) [SIMSA433C-N-PRO](#) [SIMSA868C-N-PRO](#) [SIMSA915C-N-PRO](#) [SIMSA915-PRO](#) [SIMSA868-PRO](#)