

16mm Insulated Shaft Rotary Encoder

Application

- ✓ Audio, Home appliance, Precision Apparatus, Automotive, Communication, Industrial Control, etc.



Feature

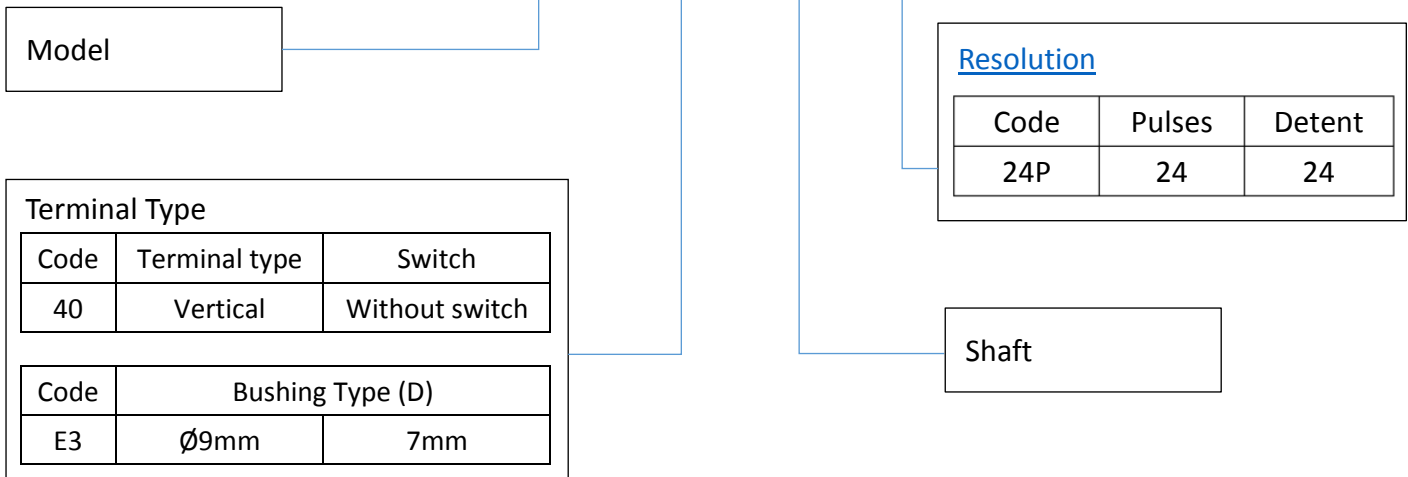
- ✓ Incremental Output Signal Encoder

■Specification

| | |
|-----------------------|---|
| Rotation Angle | 360° endless |
| Rating Voltage | 5V DC 0.5mA |
| Operating Temperature | -10 °C~70 °C |
| Rotational Torque | 50 ~ 200 gf.cm |
| Rotational Life | 50,000 cycles (rotate 360° ccw and rotate 360° cw as 1 cycle) |

■How to order


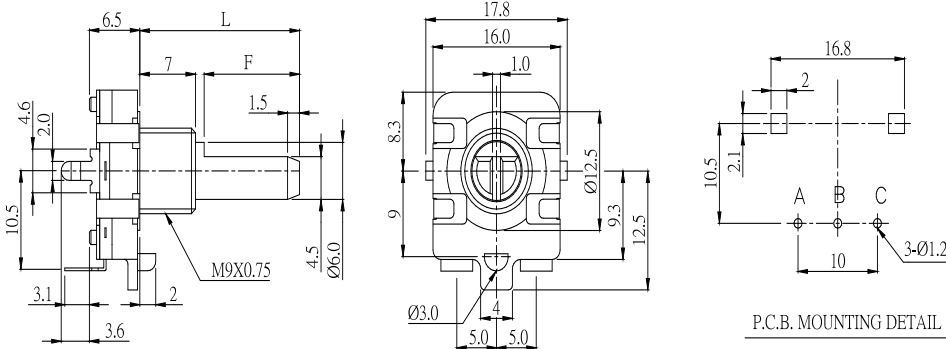
RE160F – 40(D) – 15A – 10P



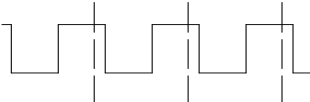
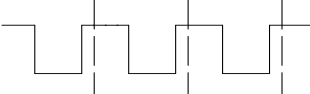
16mm Insulated Shaft Rotary Encoder

Model Description

| Model | Terminal Type | Switch | Bushing Type (D) | | Bushing Thread |
|-------------|---------------|----------------|------------------|-----|----------------|
| RE160F-40E3 | Vertical | Without Switch | Ø9mm | 7mm | With thread |

| Order Code | Outline Drawing | | | | | | | | |
|-------------|--|----|----|----|----|---|---|----|----|
| RE160F-40E3 |   <table border="1" data-bbox="1152 1041 1497 1137"> <tr> <td>L</td> <td>15</td> <td>20</td> <td>25</td> </tr> <tr> <td>F</td> <td>7</td> <td>12</td> <td>12</td> </tr> </table> | L | 15 | 20 | 25 | F | 7 | 12 | 12 |
| L | 15 | 20 | 25 | | | | | | |
| F | 7 | 12 | 12 | | | | | | |

Resolution and Output Signal

| Model | Resolution (Pulses/Rotation) | Detent Number | Output Signal Format | | |
|--------|---------------------------------|------------------|-------------------------------|------------------|--|
| | | | Shaft Rotational Direction | Signal | Output |
| RE160F | 24/360° | 24 | C.W. | A (Terminal A-C) | OFF ON  |
| | | | | B (Terminal B-C) | OFF ON  |

Design and specifications presented here are for the standard parts only. Please kindly contact us for your special requests and ask for the current technical specifications before purchase and/or use.

[Back to top](#)

Mouser Electronics

Authorized Distributor

Click to View Pricing, Inventory, Delivery & Lifecycle Information:

[Alpha \(Taiwan\):](#)

[RE160F-40E3-20A-24P-003](#)