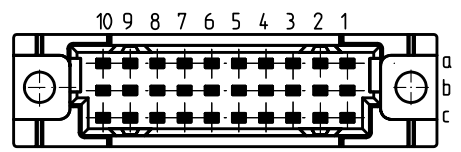
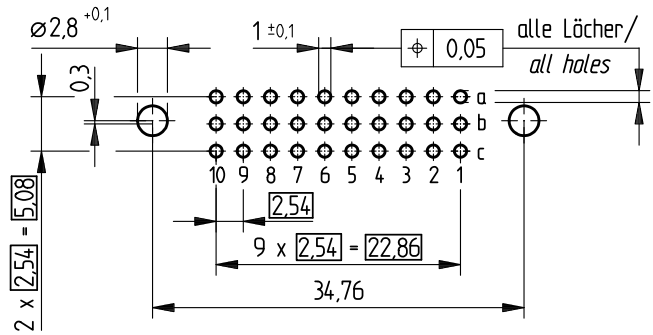


Bestückungsplan / contact layout



bestückt / assemble

Leiterplatten-Lochbild / PCB drillhole pattern



Tauchlötanschluß 0,65 x 0,3 mm / solder terminal 0,65 x 0,3 mm

Isolierwerkstoff / housing material : PBT GF30

Bauart 7 / type 7

Anforderungsstufe 2 = 400 Steckzyklen / performance class 2 = 400 mating cycles

Fehlende Maße und Angaben nach IEC 60 603-2 / DIN EN 60 603-2

Missing information and dimensions per IEC 60 603-2

Bedruckung siehe Zeichnung 294875

Marking see drawing 294875

Information:	Tolerances	 All Dimensions in mm	Scale	2:1
	All rights reserved. Only for information. To insure that this is the latest version of this drawing, please contact one of the ERNI companies before using.		Designation Federleiste C/3, 30 Löt Fem. Connector C/3, 30 Solder	
Subject to modification without prior notice. Drawing will not be updated.			www.ERNI.com	
b	05.03.2008		244336	
Index	Date	V:00065114.SZA	STVC/3	

Mouser Electronics

Authorized Distributor

Click to View Pricing, Inventory, Delivery & Lifecycle Information:

[TE Connectivity:](#)

[244336](#) [244336-E](#)