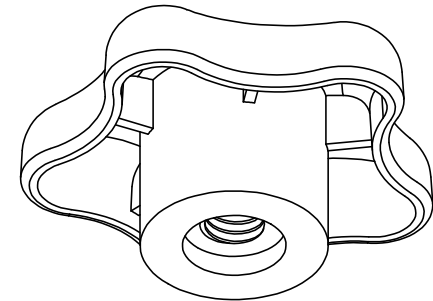
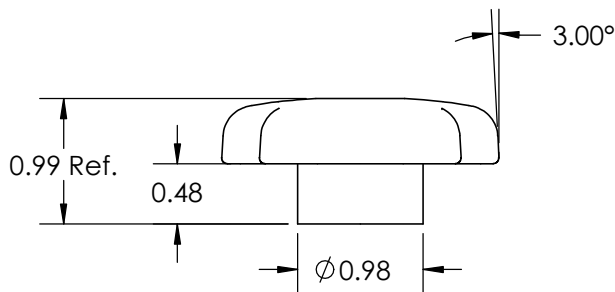
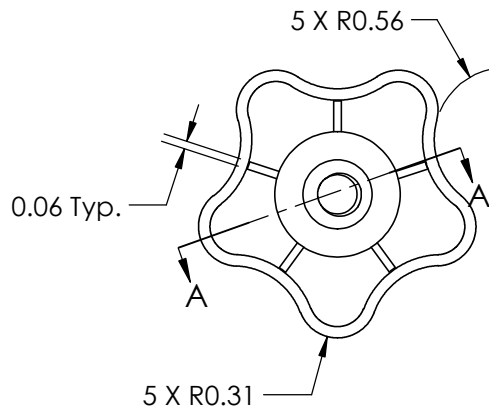
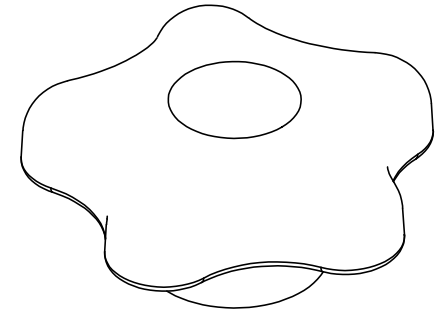
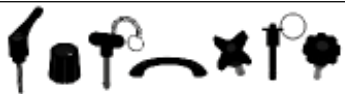


SECTION A-A
SCALE 2 : 3



FOR CUSTOMER APPROVAL ONLY				REV	BY	DATE	COMMENT	DIMENSIONS ARE IN INCHES TOLERANCES FRACTIONAL ± TWO PLACE DECIMAL ± 0.03 THREE PLACE DECIMAL ± 0.010 UNLESS OTHERWISE NOTED		DRAWN	VRR		
NAME:	0	JBA	11/06/12				RELEASE DATE			APPROVED	LQR		PART NAME
TITLE:	1	VRR	09/25/14				Added Signature Box			DATE	05/12/2016	2.25" Star Knob 3/8-16 Steel Lock Zinc Insert, Through Hole	
	2	VRR	05/12/16				Adjusted hub height			COMMENTS	MIN. TORQUE N/A in.-lbs.		
DATE:	PROPRIETARY AND CONFIDENTIAL							KNOB MATERIAL	Polypropylene, Black	INSERT MATERIAL	Steel	PART NUMBER	DRAWING NUMBER
SIGNATURE:	THE INFORMATION CONTAINED IN THIS DRAWING IS THE SOLE PROPERTY OF INNOVATIVE COMPONENTS. ANY REPRODUCTION IN PART OR AS A WHOLE WITHOUT THE WRITTEN PERMISSION OF INNOVATIVE COMPONENTS IS PROHIBITED.							KNOB FINISH	Textured	INSERT FINISH	Zinc	KN6C---5SAL-21	05-05-16 R2
							INSERT PART NUMBER	SN6CNE-----21			SCALE 1:2	SHEET 1 OF 1	



PLASTIC KNOBS / CONTROL KNOBS / HANDLES / QUICK RELEASE PINS & BALL LOCK PINS
 SPRING LOADED PINS & PLUNGERS / WIRE ROPE LANYARDS / THREAD IDENTIFIERS