

Part number
CHO 24



Hood, C-TYPE series, with 4 pegs, Pg21 side cable entry, size "104.27"



Product description		Material properties	
Product type	Hood	Colour	RAL 7040 grey
Series	C-TYPE	RoHs conformity	Compliant
Closing type	With 4 pegs	China RoHs - EFUP	E
Size	Size "104.27"	REACH SVHC substances	No
Cable entry	Side cable entry Pg21	Approvals / Standards	
Technical data		Certifications	DNV, BV
IP degree of protection	IP65 / IP66 / IP69	UL	ECBT2
Further technical details		cUL	ECBT8
Weight	193,00 g	General ordering information	
Operating temperature range (min, max)	-40°C...+125°C	EAN13 code	8015747020053
		Packaging Information	
		Packaging length	250,00 mm
		Packaging height	145,00 mm
		Packaging width	300,00 mm
		Packaging weight	4,30 kg
		Packaging volume	10,88 dm ³
		Packaging description	Carton box
		Packaging quantity	20 Pcs
		Packaging EAN code	8015747020060
		Sub-packaging weight	1,08 kg
		Sub-packaging description	Plastic packaging
		Sub-packaging quantity	5 Pcs
		Sub-packaging EAN barcode	8015747020077

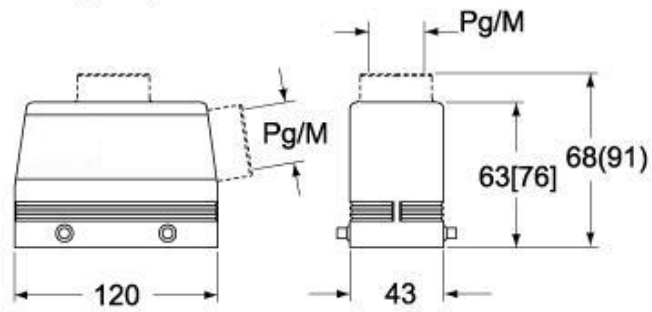
Part number

CHO 24



Catalogue drawings

**CHO [CAO] CHV (CAV) - MHO [MAO]
MHV (MAV)**



CHV G (CAV G) - MHV G (MAV G) - [MFV G]

