

Plug - SP 2,5/ 1-M

3043043

<https://www.phoenixcontact.com/us/products/3043043>



Please be informed that the data shown in this PDF document is generated from our Online Catalog. Please find the complete data in the user documentation. Our General Terms of Use for Downloads are valid.



Plug, nom. voltage: 500 V, nominal current: 24 A, number of positions: 1, connection method: Spring-cage connection, Rated cross section: 2.5 mm², cross section: 0.08 mm²- 4 mm², color: gray

Product Description

Connector element center, left housing with engagement pin, right opened without cover

Your advantages

- Cable housing can be snapped on to the plugs, see figure below
- The plug with spring-cage connection is assembled directly on site by snapping together single-position plug elements
- The ST-COMBI plugs for self-assembly provide solutions that users can implement themselves

Plug - SP 2,5/ 1-M

3043043

<https://www.phoenixcontact.com/us/products/3043043>



Commercial Data

Item number	3043043
Packing unit	1 pc
Minimum order quantity	50 pc
Sales Key	B02
Product Key	BE2144
Catalog Page	Page 318 (C-1-2019)
GTIN	4017918894900
Weight per Piece (including packing)	3.106 g
Weight per Piece (excluding packing)	3.14 g
Customs tariff number	85366990
Country of origin	PL

Plug - SP 2,5/ 1-M

3043043

<https://www.phoenixcontact.com/us/products/3043043>

Technical Data

Product properties

Product type	Terminal plug
Number of positions	1
Pitch	5.2 mm

Insulation characteristics

Overvoltage category	III
Degree of pollution	3

Electrical properties

Rated surge voltage	6 kV
---------------------	------

Connection data

Nominal cross section	2.5 mm ²
Stripping length	8 mm ... 10 mm
Internal cylindrical gage	A3
Conductor cross section solid	0.08 mm ² ... 4 mm ²
Cross section AWG	28 ... 12
Conductor cross section flexible	0.08 mm ² ... 2.5 mm ²
Conductor cross section, flexible [AWG]	28 ... 14
Flexible conductor cross section flexible (ferrule, w/o plastic sleeve)	0.14 mm ² ... 2.5 mm ²
Flexible conductor cross section (ferrule with plastic sleeve)	0.14 mm ² ... 2.5 mm ²
2 conductors with the same cross section, flexible, with TWIN ferrule with plastic sleeve	0.5 mm ²
Nominal current	24 A
Maximum load current	24 A (with 4 mm ² conductor cross section)
Nominal voltage	500 V
Nominal cross section	2.5 mm ²

Dimensions

Width	5.2 mm
Height	39 mm
Length	15.8 mm
Pitch	5.2 mm

Material specifications

Color	gray
Flammability rating according to UL 94	V0
Insulating material group	I
Insulating material	PA
Static insulating material application in cold	-60 °C
Temperature index of insulation material (DIN EN 60216-1 (VDE	130 °C

Plug - SP 2,5/ 1-M



3043043

<https://www.phoenixcontact.com/us/products/3043043>

0304-21))	
Relative insulation material temperature index (Elec., UL 746 B)	130 °C
Fire protection for rail vehicles (DIN EN 45545-2) R22	HL 1 - HL 3
Fire protection for rail vehicles (DIN EN 45545-2) R23	HL 1 - HL 3
Fire protection for rail vehicles (DIN EN 45545-2) R24	HL 1 - HL 3
Fire protection for rail vehicles (DIN EN 45545-2) R26	HL 1 - HL 3
Calorimetric heat release NFPA 130 (ASTM E 1354)	28 MJ/kg
Surface flammability NFPA 130 (ASTM E 162)	passed
Specific optical density of smoke NFPA 130 (ASTM E 662)	passed
Smoke gas toxicity NFPA 130 (SMP 800C)	passed

Environmental and real-life conditions

Ambient conditions

Ambient temperature (operation)	-60 °C ... 105 °C (max. short-term operating temperature RTI Elec.)
Ambient temperature (storage/transport)	-25 °C ... 60 °C (for a short time, not exceeding 24 h, -60 °C to +70 °C)
Ambient temperature (assembly)	-5 °C ... 70 °C
Ambient temperature (actuation)	-5 °C ... 70 °C
Permissible humidity (storage/transport)	30 % ... 70 %

Standards and regulations

Connection in acc. with standard	IEC 61984
----------------------------------	-----------

Plug - SP 2,5/ 1-M

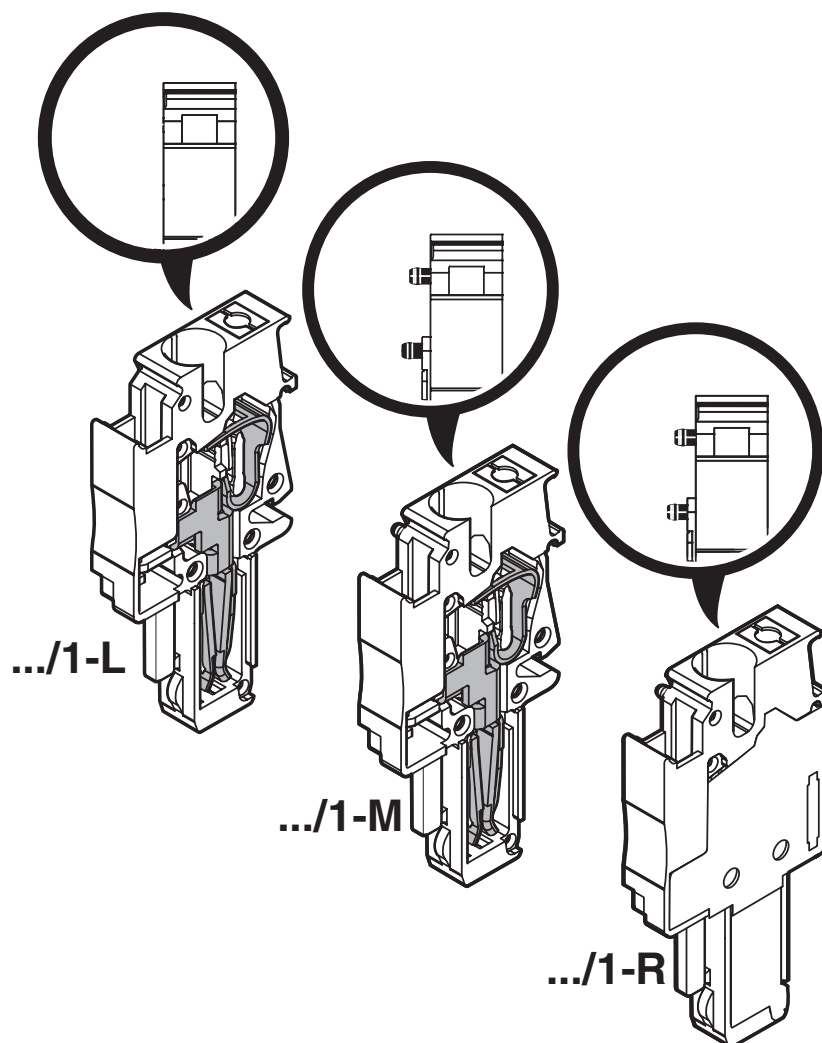
3043043

<https://www.phoenixcontact.com/us/products/3043043>



Drawings

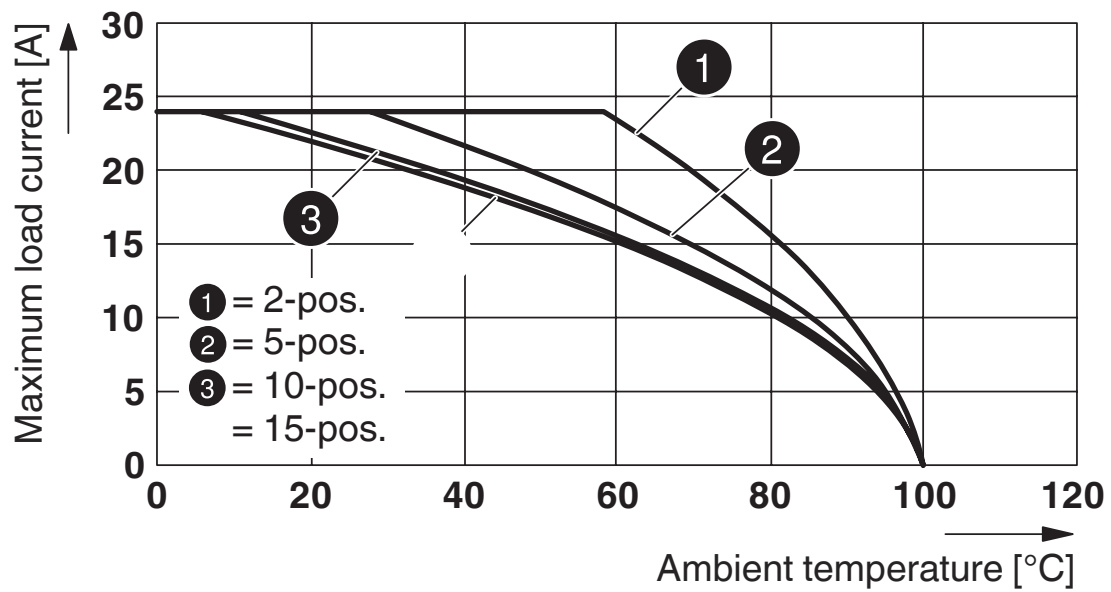
Schematic diagram



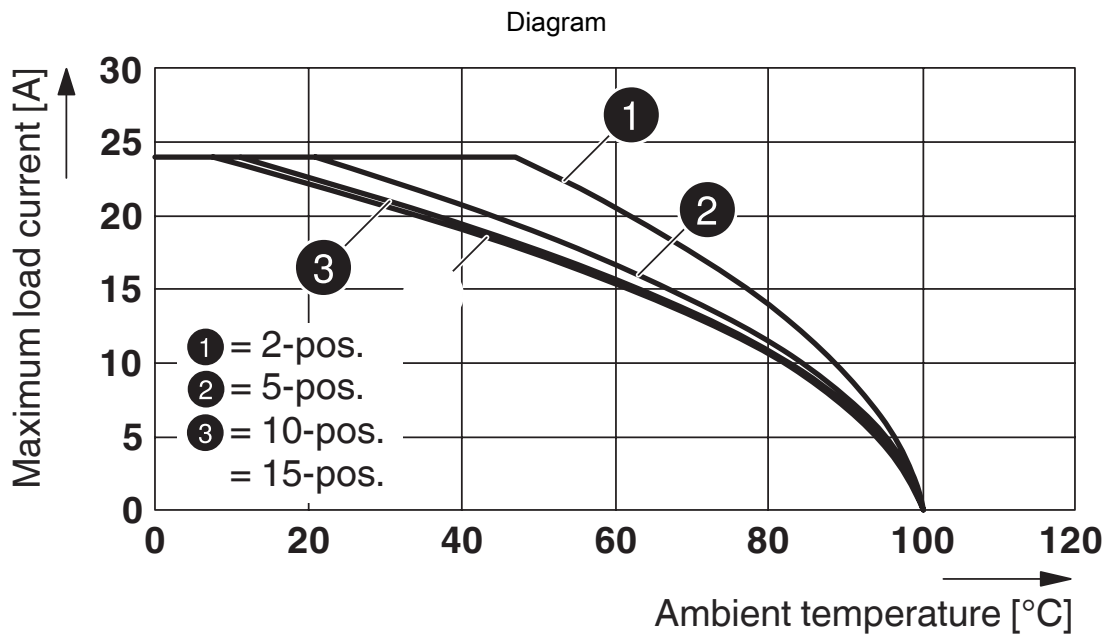
Circuit diagram



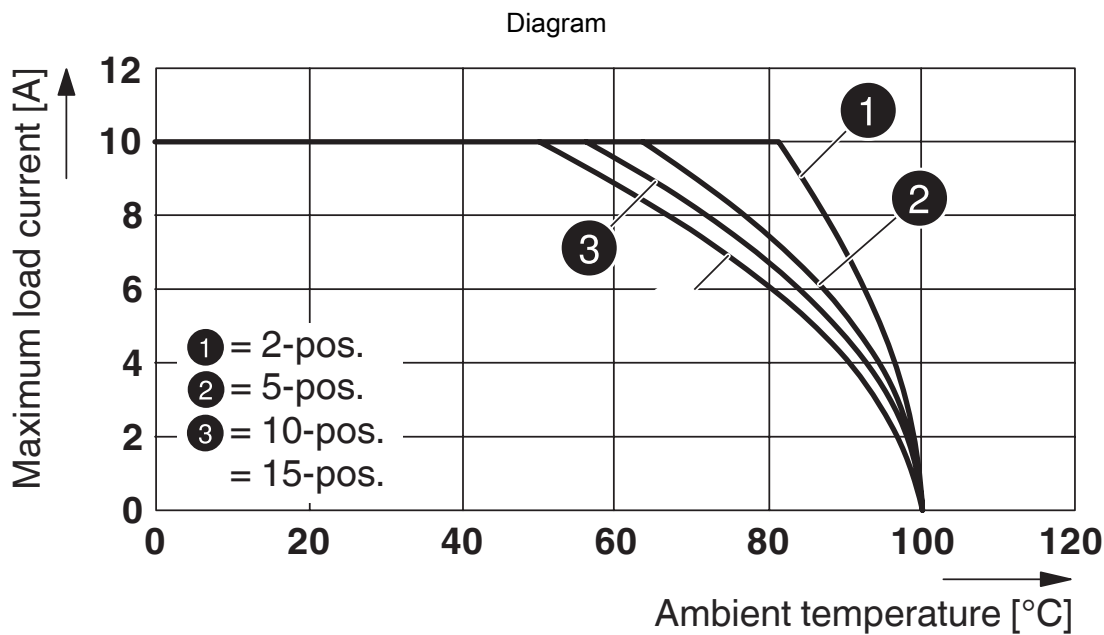
Diagram



Derating curve for ST 2,5-QUATTRO/2P, ST 2,5-QUATTRO/4P and for all plug versions SP...



Derating curve for ST 2,5/ 1P, ST 2,5/ 2P, ST 2,5-TWIN/ 1P and for all plug versions SP... .

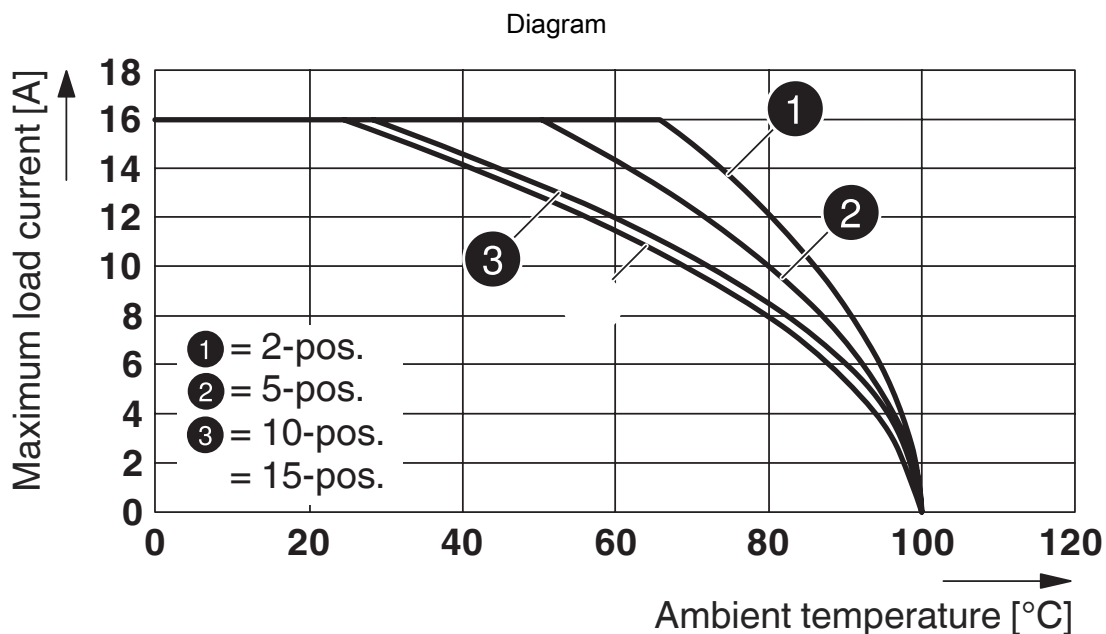


Derating curve for ST 2,5-4L/1P, ST 2,5-4L/2P and for all plug versions SP... .

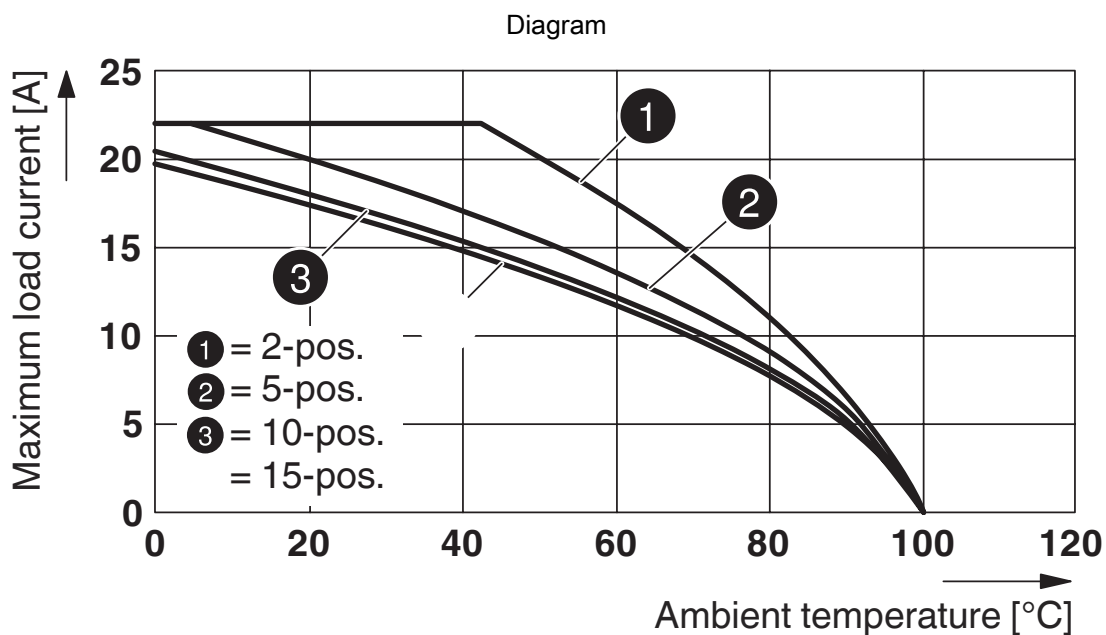
Plug - SP 2,5/ 1-M

3043043

<https://www.phoenixcontact.com/us/products/3043043>



Derating curve for ST 2,5-TWIN-MT/1P, ST 2,5-TWIN-TG/1P and for all plug versions SP...



Derating curve for STTB 2,5/ 2P, STTB 2,5/ 2P-PV and for all plug versions SP...

Plug - SP 2,5/ 1-M



3043043

<https://www.phoenixcontact.com/us/products/3043043>

Approvals

CSA				
	Nominal Voltage U_N	Nominal Current I_N	Cross Section AWG	Cross Section mm^2
Use group B				
	300 V	20 A	28 - 12	-
Use group C				
	300 V	20 A	28 - 12	-
Use group D				
	600 V	5 A	28 - 12	-

IECEE CB Scheme				
	Nominal Voltage U_N	Nominal Current I_N	Cross Section AWG	Cross Section mm^2
Current depends on number of positions			-	-

EAC				
-----	--	--	--	--

LR				
----	--	--	--	--

RS				
----	--	--	--	--

BV				
	Nominal Voltage U_N	Nominal Current I_N	Cross Section AWG	Cross Section mm^2
			-	-

VDE Zeichengenehmigung				
	Nominal Voltage U_N	Nominal Current I_N	Cross Section AWG	Cross Section mm^2
Only flexible conductors	500 V		-	0.2 - 2.5
Only rigid conductors	500 V		-	0.2 - 4

cULus Recognized				
	Nominal Voltage U_N	Nominal Current I_N	Cross Section AWG	Cross Section mm^2
Use group B				
	300 V	20 A	26 - 12	-

Plug - SP 2,5/ 1-M



3043043

<https://www.phoenixcontact.com/us/products/3043043>

Use group C	300 V	20 A	26 - 12	-
Use group D	600 V	5 A	26 - 12	-

DNV				
	Nominal Voltage U_N	Nominal Current I_N	Cross Section AWG	Cross Section mm^2
			-	-

Plug - SP 2,5/ 1-M

3043043

<https://www.phoenixcontact.com/us/products/3043043>



Classifications

ECLASS

ECLASS-9.0	27141151
ECLASS-10.0.1	27141151
ECLASS-11.0	27141151

ETIM

ETIM 8.0	EC002021
----------	----------

UNSPSC

UNSPSC 21.0	39121400
-------------	----------

Plug - SP 2,5/ 1-M

3043043

<https://www.phoenixcontact.com/us/products/3043043>



Environmental Product Compliance

China RoHS	Environmentally friendly use period: unlimited = EFUP-e No hazardous substances above threshold values
------------	---

Plug - SP 2,5/ 1-M

3043043

<https://www.phoenixcontact.com/us/products/3043043>



Accessories

Strain relief

Strain relief - PZ/2 - 3040627

<https://www.phoenixcontact.com/us/products/3040627>



Strain relief, length: 48.7 mm, width: 9.3 mm, number of positions: 2, color: black

Zack Marker strip, flat

Zack Marker strip, flat - ZBF 5:UNBEDRUCKT - 0808642

<https://www.phoenixcontact.com/us/products/0808642>



Zack Marker strip, flat, Strip, white, unlabeled, can be labeled with: PLOTMARK, CMS-P1-PLOTTER, mounting type: snapped, for terminal block width: 5 mm, lettering field size: 5.1 x 5.2 mm, Number of individual labels: 10

Plug - SP 2,5/ 1-M

3043043

<https://www.phoenixcontact.com/us/products/3043043>



Strain relief

Strain relief - PZ/4 - 3040643

<https://www.phoenixcontact.com/us/products/3040643>



Strain relief, length: 48.7 mm, width: 19.6 mm, number of positions: 4, color: black

Zack Marker strip, flat

Zack Marker strip, flat - ZBF 5 CUS - 0825025

<https://www.phoenixcontact.com/us/products/0825025>



Zack Marker strip, flat, can be ordered: Strip, white, labeled according to customer specifications, mounting type: snap into flat marker groove, for terminal block width: 5 mm, lettering field size: 5.15 x 5.15 mm, Number of individual labels: 10

Plug - SP 2,5/ 1-M

3043043

<https://www.phoenixcontact.com/us/products/3043043>



Latching

Latching - PR - 3040559

<https://www.phoenixcontact.com/us/products/3040559>



Latching, length: 29.8 mm, width: 4.4 mm, number of positions: 1, color: orange

Zack Marker strip, flat

Zack Marker strip, flat - ZBF 5,LGS:FORTL.ZAHLEN - 0808671

<https://www.phoenixcontact.com/us/products/0808671>



Zack Marker strip, flat, Strip, white, labeled, printed horizontally: consecutive numbers 1 ... 10, 11 ... 20, etc. up to 491 ... 500, mounting type: snapped, for terminal block width: 5 mm, lettering field size: 5.15 x 5.15 mm, Number of individual labels: 10

Plug - SP 2,5/ 1-M

3043043

<https://www.phoenixcontact.com/us/products/3043043>



Latching

Latching - PR/2 - 3040630

<https://www.phoenixcontact.com/us/products/3040630>



Latching, length: 29.8 mm, width: 10 mm, number of positions: 2, color: orange

Zack Marker strip, flat

Zack Marker strip, flat - ZBF 5,QR:FORTL.ZAHLEN - 0808697

<https://www.phoenixcontact.com/us/products/0808697>



Zack Marker strip, flat, Strip, white, labeled, Printed vertically: consecutive numbers 1 ... 10, 11 ... 20, etc. up to 91 ... 100, mounting type: snapped, for terminal block width: 5 mm, lettering field size: 5.15 x 5.15 mm, Number of individual labels: 10

Plug - SP 2,5/ 1-M

3043043

<https://www.phoenixcontact.com/us/products/3043043>



Latching

Latching - PRT/2 - 3040631

<https://www.phoenixcontact.com/us/products/3040631>



Latching, can only be released using a screwdriver, length: 23.2 mm, width: 9 mm, number of positions: 2, color: orange

Zack Marker strip, flat

Zack Marker strip, flat - ZBF 5,LGS:GERADE ZAHLEN - 0810821

<https://www.phoenixcontact.com/us/products/0810821>



Zack Marker strip, flat, Strip, white, labeled, printed horizontally: consecutive even numbers 2 ... 20, 22 ... 40, etc. up to 82 ... 100, mounting type: snapped, for terminal block width: 5 mm, lettering field size: 5.15 x 5.15 mm, Number of individual labels: 10

Plug - SP 2,5/ 1-M

3043043

<https://www.phoenixcontact.com/us/products/3043043>



Latching

Latching - PRZ - 3040614

<https://www.phoenixcontact.com/us/products/3040614>



Latching, color: orange

Zack Marker strip, flat

Zack Marker strip, flat - ZBF 5,LGS:UNGERADE ZAHLEN - 0810863

<https://www.phoenixcontact.com/us/products/0810863>



Zack Marker strip, flat, Strip, white, labeled, printed horizontally: Odd numbers 1 - 19, 21 - 39, etc. up to 81 - 99, mounting type: snapped, for terminal block width: 5 mm, lettering field size: 5.15 x 5.15 mm, Number of individual labels: 10

Plug - SP 2,5/ 1-M

3043043

<https://www.phoenixcontact.com/us/products/3043043>



Shield connection clamp

Shield connection clamp - PSH 3- 6 - 3040591

<https://www.phoenixcontact.com/us/products/3040591>



Shield connection clamp, color: black

Marker for terminal blocks

Marker for terminal blocks - UC-TMF 5 - 0818153

<https://www.phoenixcontact.com/us/products/0818153>



Marker for terminal blocks, Sheet, white, unlabeled, can be labeled with: BLUEMARK ID COLOR, BLUEMARK ID, BLUEMARK CLED, PLOTMARK, CMS-P1-PLOTTER, mounting type: snapped, for terminal block width: 5.2 mm, lettering field size: 4.6 x 5.1 mm, Number of individual labels: 96

Plug - SP 2,5/ 1-M

3043043

<https://www.phoenixcontact.com/us/products/3043043>



Shield connection clamp

Shield connection clamp - PSH 5-10 - 3040601

<https://www.phoenixcontact.com/us/products/3040601>



Shield connection clamp, color: black

Marker for terminal blocks

Marker for terminal blocks - UC-TMF 5 CUS - 0824638

<https://www.phoenixcontact.com/us/products/0824638>



Marker for terminal blocks, can be ordered: by sheet, white, labeled according to customer specifications, mounting type: snap into flat marker groove, for terminal block width: 5.2 mm, lettering field size: 4.6 x 5.1 mm, Number of individual labels: 96

Plug - SP 2,5/ 1-M

3043043

<https://www.phoenixcontact.com/us/products/3043043>



Marker pen

Marker pen - B-STIFT - 1051993

<https://www.phoenixcontact.com/us/products/1051993>



Marker pen, for manual labeling of unprinted Zack strips, smear-proof and waterproof, line thickness 0.5 mm

Marker for terminal blocks

Marker for terminal blocks - UCT-TMF 5 - 0828744

<https://www.phoenixcontact.com/us/products/0828744>



Marker for terminal blocks, Sheet, white, unlabeled, can be labeled with: TOPMARK NEO, TOPMARK LASER, BLUEMARK ID COLOR, BLUEMARK ID, BLUEMARK CLED, THERMOMARK PRIME, THERMOMARK CARD 2.0, THERMOMARK CARD, mounting type: snapped, for terminal block width: 5.2 mm, lettering field size: 4.4 x 4.7 mm, Number of individual labels: 72

Plug - SP 2,5/ 1-M

3043043

<https://www.phoenixcontact.com/us/products/3043043>



Marker pen

Marker pen - X-PEN 0,35 - 0811228

<https://www.phoenixcontact.com/us/products/0811228>



Marker pen without ink cartridge, for manual labeling of markers, labeling extremely wipe-proof, line thickness 0.35 mm

Marker for terminal blocks

Marker for terminal blocks - UCT-TMF 5 CUS - 0829658

<https://www.phoenixcontact.com/us/products/0829658>



Marker for terminal blocks, can be ordered: by sheet, white, labeled according to customer specifications, mounting type: snap into flat marker groove, for terminal block width: 5.2 mm, lettering field size: 4.4 x 4.7 mm, Number of individual labels: 72

Plug - SP 2,5/ 1-M

3043043

<https://www.phoenixcontact.com/us/products/3043043>



Actuation tool

Actuation tool - ST-BW - 1207608

<https://www.phoenixcontact.com/us/products/1207608>

Actuation tool, for all 2.5 mm² - 4.0 mm² spring-cages



Phoenix Contact 2022 © - all rights reserved

<https://www.phoenixcontact.com>

Phoenix Contact USA
586 Fulling Mill Road
Middletown, PA 17057, United States
(+717) 944-1300
info@phoenixcon.com