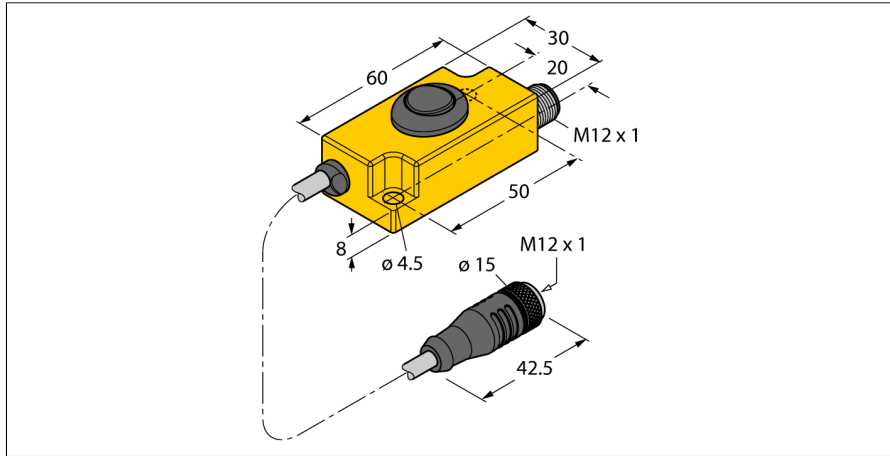
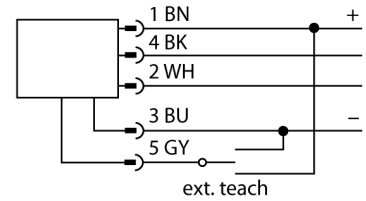


**Teach adapter  
TX1-Q20L60**



- Teach adapter
- For programming the measuring range of inductive linear position sensors Li-Q25L and Li-Q17L as well as inductive angle sensors Ri-QR14



**Functional principle**

The teach adapter is connected between sensor and cable. Lower and upper measuring range are set via DIP switch. The sensor can thus be adjusted easily to any application.

<b>Type designation</b>	TX1-Q20L60
Ident no.	6967114
<b>Dimensions</b>	60 x 30 x 20 mm
Packaging unit	1