

Panel mounting frames - VS-A-F-IP67



1653744

<https://www.phoenixcontact.com/us/products/1653744>

Please be informed that the data shown in this PDF document is generated from our Online Catalog. Please find the complete data in the user documentation. Our General Terms of Use for Downloads are valid.



Panel mounting frame, IP67, for Freenet system, for round panel cutout, with grommet, without mounting screws, color: gray

Panel mounting frames - VS-A-F-IP67



1653744

<https://www.phoenixcontact.com/us/products/1653744>

Commercial Data

Item number	1653744
Packing unit	1 pc
Minimum order quantity	5 pc
Sales Key	A08
Product Key	ABNDDA
Catalog Page	Page 351 (C-2-2019)
GTIN	4017918970123
Weight per Piece (including packing)	6.58 g
Weight per Piece (excluding packing)	6.41 g
Customs tariff number	85389099
Country of origin	DE

Panel mounting frames - VS-A-F-IP67

1653744

<https://www.phoenixcontact.com/us/products/1653744>

Technical Data

Product properties

Type	Version 6
Product type	Panel mounting frame
Connection profile	RJ45
Application	Freenet
Number of slots	1
Type	RJ45

Insulation characteristics

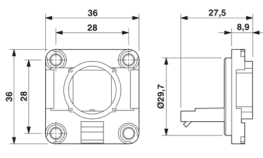
Degree of pollution	2
---------------------	---

Connection data

Connection technology

Connection method	Screw connection
-------------------	------------------

Dimensions

Dimensional drawing	
Width	36 mm
Height	36 mm
Depth	27.5 mm
Length	27.6 mm

Material specifications

Color	gray
Material	Plastic
Flammability rating according to UL 94	V0
Sealing material	NBR
Seal material, flat gasket	NBR
Housing material	PA

Connector

Insertion/withdrawal cycles	≥ 1000
-----------------------------	--------

Environmental and real-life conditions

Ambient conditions

Degree of protection	IP67
Ambient temperature (operation)	-40 °C ... 80 °C

Panel mounting frames - VS-A-F-IP67



1653744

<https://www.phoenixcontact.com/us/products/1653744>

Mounting

Mounting type	Front mounting
---------------	----------------

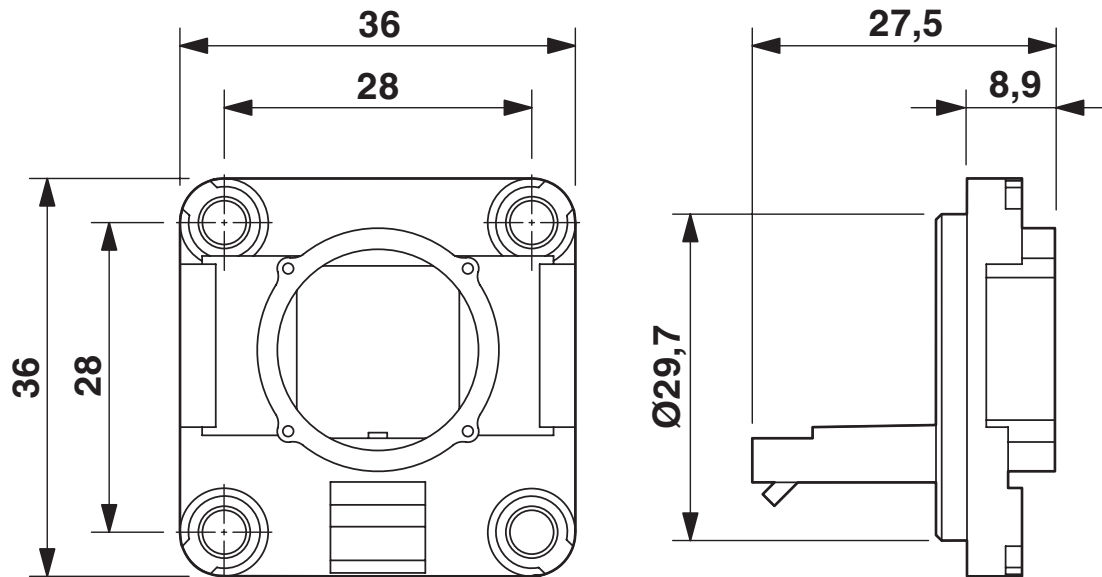
Panel mounting frames - VS-A-F-IP67

1653744

<https://www.phoenixcontact.com/us/products/1653744>

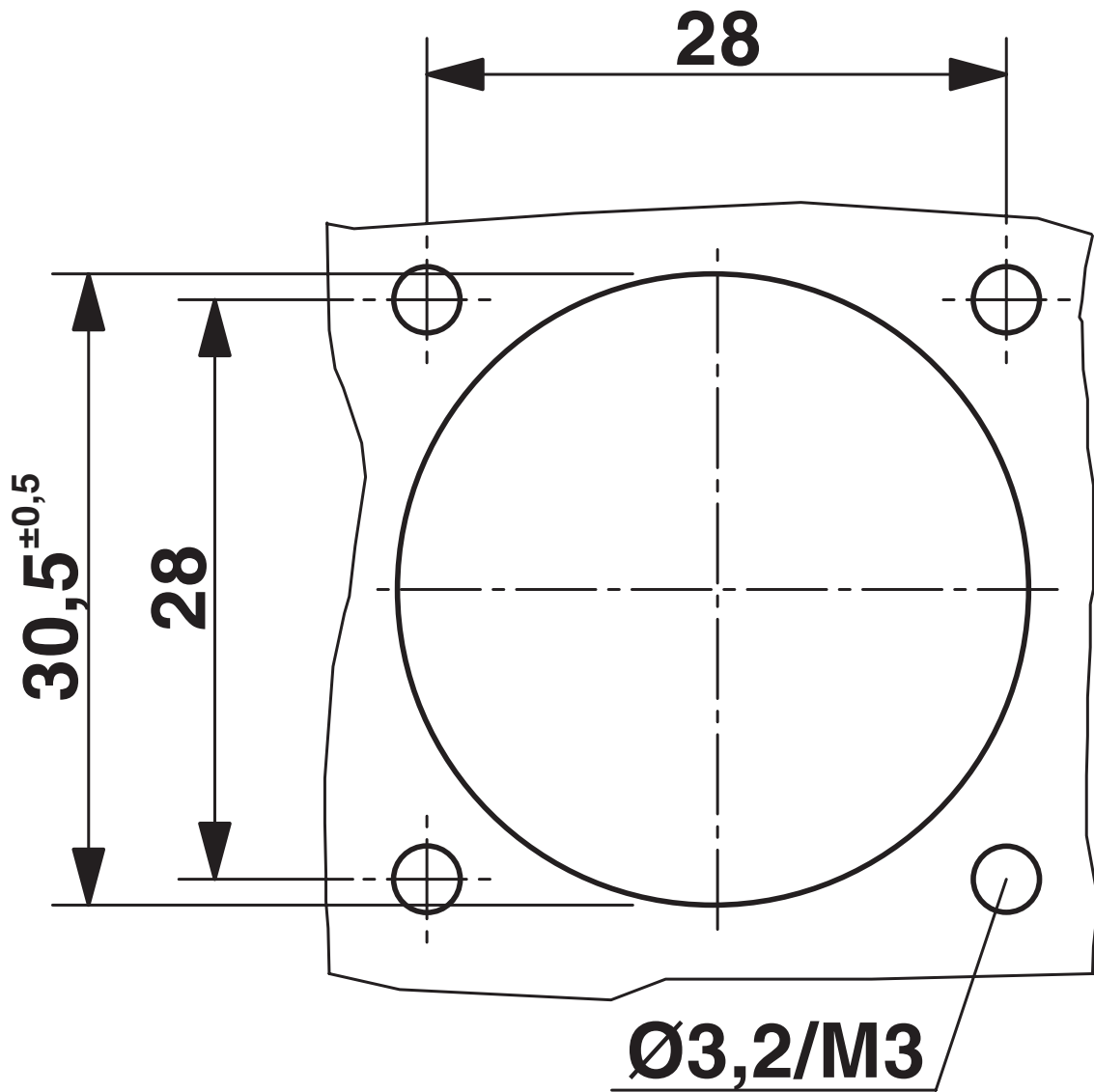
Drawings

Dimensional drawing



Panel mounting frame for Freenet system

Dimensional drawing



Mounting cutout

Panel mounting frames - VS-A-F-IP67



1653744

<https://www.phoenixcontact.com/us/products/1653744>

Approvals



EAC

Approval ID: B.01687

Panel mounting frames - VS-A-F-IP67



1653744

<https://www.phoenixcontact.com/us/products/1653744>

Classifications

ECLASS

ECLASS-10.0.1	27440210
ECLASS-9.0	27440210
ECLASS-11.0	27440210

ETIM

ETIM 8.0	EC002310
----------	----------

UNSPSC

UNSPSC 21.0	39121400
-------------	----------

Panel mounting frames - VS-A-F-IP67



1653744

<https://www.phoenixcontact.com/us/products/1653744>

Environmental Product Compliance

China RoHS	Environmentally friendly use period: unlimited = EFUP-e
	No hazardous substances above threshold values

Panel mounting frames - VS-A-F-IP67

1653744

<https://www.phoenixcontact.com/us/products/1653744>

Accessories

Protective cover

Protective cover - VS-08-SD - 1689200

<https://www.phoenixcontact.com/us/products/1689200>

Protective cover, IP67, tall design



Protective cover

Protective cover - VS-08-SD-F - 1652606

<https://www.phoenixcontact.com/us/products/1652606>

Protective cover, IP67, flat design, to cover the contact insert in the panel mounting frame, color: gray



Panel mounting frames - VS-A-F-IP67

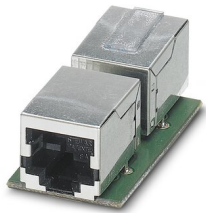
1653744

<https://www.phoenixcontact.com/us/products/1653744>

RJ45 coupling

RJ45 coupling - VS-08-BU/BU-RJ45-F - 1405617

<https://www.phoenixcontact.com/us/products/1405617>



RJ45 coupling, degree of protection: IP20, number of positions: 8, 1 Gbps, CAT5 (IEC 11801:2002), material: PA-GF, for VS-08 and push-pull panel mounting frames

RJ45 socket insert

RJ45 socket insert - VS-08-BU-RJ45-5-F/PK - 1652936

<https://www.phoenixcontact.com/us/products/1652936>



RJ45 socket insert, type: RJ45, degree of protection: IP20, number of positions: 8, CAT5 (IEC 11801:2002), material: Copper alloy, connection method: IDC connection, connection cross section: AWG 24- 22

Panel mounting frames - VS-A-F-IP67

1653744

<https://www.phoenixcontact.com/us/products/1653744>

RJ45 socket insert

RJ45 socket insert - VS-08-BU-RJ45-6-F/PK - 1652949

<https://www.phoenixcontact.com/us/products/1652949>



RJ45 socket insert, degree of protection: IP20, number of positions: 8, connection method: IDC, connection cross section: AWG 26- 22

SC-RJ female insert

SC-RJ female insert - VS-SCRJ-GOF-BU/BU - 1652978

<https://www.phoenixcontact.com/us/products/1652978>



SC-RJ socket insert, duplex, for VS-A-F-IP67 panel mounting frame, can be used for fiberglass (multi-mode and single mode), PCF, and polymer fibers

Panel mounting frames - VS-A-F-IP67

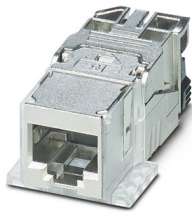
1653744

<https://www.phoenixcontact.com/us/products/1653744>

RJ45 socket insert

RJ45 socket insert - CUC-F-J1ZNI-S/R4IDC8 - 1418984

<https://www.phoenixcontact.com/us/products/1418984>

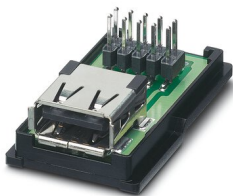


RJ45 socket insert, type: RJ45, degree of protection: IP20, number of positions: 8, 10 Gbps, CAT6_A, material: Zinc die-cast, connection method: IDC connection, connection cross section: AWG 26- 22, Freenet design for use with IP67 panel mounting frame and terminal outlets

USB female insert

USB female insert - VS-04-BUA-FK-F/IP67 - 1653854

<https://www.phoenixcontact.com/us/products/1653854>



USB socket insert, 4-pos., socket USB type A on flat-ribbon cable terminal strip, pitch 2.54, for the Freenet system in the panel mounting frame, IP20 terminal outlet, 19" patch panel and service interface

Panel mounting frames - VS-A-F-IP67

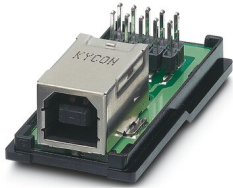
1653744

<https://www.phoenixcontact.com/us/products/1653744>

USB female insert

USB female insert - VS-04-BUB-FK-F/IP67 - 1653867

<https://www.phoenixcontact.com/us/products/1653867>



USB socket insert, 4-pos., socket USB type B on flat-ribbon cable terminal strip, pitch 2.54, for the Freenet system in the panel mounting frame, IP20 terminal outlet, 19" patch panel and service interface

RJ45 coupling

RJ45 coupling - CUC-F-D1ZNI-S/R4GCHP8 - 1086111

<https://www.phoenixcontact.com/us/products/1086111>



RJ45 coupling, degree of protection: IP20, number of positions: 8, 10 Gbps, CAT6_A, material: Zinc die-cast, connection method: 2x RJ45, Freenet design for use with IP67 panel mounting frame and terminal outlets

Panel mounting frames - VS-A-F-IP67



1653744

<https://www.phoenixcontact.com/us/products/1653744>

Connector component

Connector component - VS-04-SCHLITTEN-USB - 1563193

<https://www.phoenixcontact.com/us/products/1563193>

VS slide for USB is packaged as single part



Phoenix Contact 2022 © - all rights reserved

<https://www.phoenixcontact.com>

Phoenix Contact USA
586 Fulling Mill Road
Middletown, PA 17057, United States
(+717) 944-1300
info@phoenixcon.com