

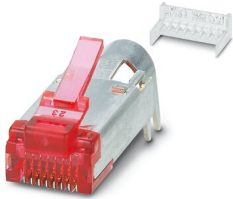
RJ45 male insert - VS-08-ST-H21-RJ45



1652729

<https://www.phoenixcontact.com/us/products/1652729>

Please be informed that the data shown in this PDF document is generated from our Online Catalog. Please find the complete data in the user documentation. Our General Terms of Use for Downloads are valid.



RJ45 male insert, CAT6, 8-pos., shielded, IDC displacement connection, for litz wire AWG 25 ...
24 and solid wires AWG 24, with strain relief

Commercial Data

Item number	1652729
Packing unit	1 pc
Minimum order quantity	5 pc
Sales Key	A08
Product Key	ABNAAE
Catalog Page	Page 350 (C-2-2019)
GTIN	4017918952853
Weight per Piece (including packing)	5.44 g
Weight per Piece (excluding packing)	4.078 g
Customs tariff number	85366990
Country of origin	TW

RJ45 male insert - VS-08-ST-H21-RJ45

1652729

<https://www.phoenixcontact.com/us/products/1652729>

Technical Data

Product properties

Product type	Male insert
Number of positions	8
Connection profile	RJ45
No. of cable outlets	1
Type	RJ45
Shielded	yes
Cable outlet	straight

Insulation characteristics

Overvoltage category	I
Degree of pollution	2

Electrical properties

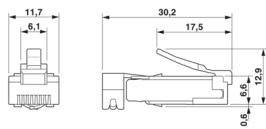
Rated voltage (III/3)	72 V (DC)
Rated surge voltage	330 kV
Rated current	1 A
Contact resistance	50 m Ω (max.)
Frequency range	to 250 MHz
Insulation resistance	min. 100 M Ω (100 V DC)
Nominal voltage U_N	48 V
Nominal current I_N	1.75 A

Connection data

Connection technology

Connection method	IDC connection
-------------------	----------------

Dimensions

Dimensional drawing	
Width	11.7 mm
Height	13.5 mm
Length	30.2 mm

Material specifications

Color	red
Flammability rating according to UL 94	V2
Contact material	Phosphor bronze
Contact surface material	Gold

RJ45 male insert - VS-08-ST-H21-RJ45



1652729

<https://www.phoenixcontact.com/us/products/1652729>

Contact carrier material	PC
Housing material	Steel, tin-plated

Connector

Insertion/withdrawal cycles	≥ 750
-----------------------------	-------

Cable / line

Cable structure

Wire diameter including insulation	0.9 mm ... 1 mm
------------------------------------	-----------------

Environmental and real-life conditions

Ambient conditions

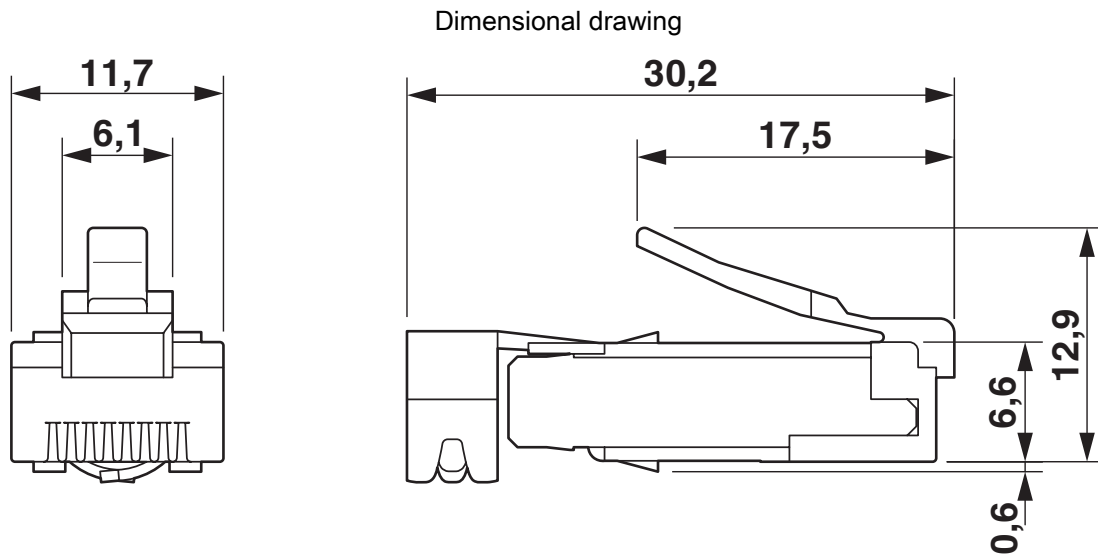
Degree of protection	IP20
Ambient temperature (operation)	-25 °C ... 60 °C

RJ45 male insert - VS-08-ST-H21-RJ45

1652729

<https://www.phoenixcontact.com/us/products/1652729>

Drawings



RJ45 male insert

RJ45 male insert - VS-08-ST-H21-RJ45



1652729

<https://www.phoenixcontact.com/us/products/1652729>

Approvals



EAC

Approval ID: B.01687

RJ45 male insert - VS-08-ST-H21-RJ45



1652729

<https://www.phoenixcontact.com/us/products/1652729>

Classifications

ECLASS

ECLASS-9.0	27440205
ECLASS-10.0.1	27440205
ECLASS-11.0	27440223

ETIM

ETIM 8.0	EC003557
----------	----------

UNSPSC

UNSPSC 21.0	39121400
-------------	----------

RJ45 male insert - VS-08-ST-H21-RJ45



1652729

<https://www.phoenixcontact.com/us/products/1652729>

Environmental Product Compliance

China RoHS	Environmentally friendly use period: unlimited = EFUP-e
	No hazardous substances above threshold values

RJ45 male insert - VS-08-ST-H21-RJ45

1652729

<https://www.phoenixcontact.com/us/products/1652729>

Accessories

RJ45 sleeve housings

RJ45 sleeve housings - VS-08-T-H-RJ45/IP67 - 1652732

<https://www.phoenixcontact.com/us/products/1652732>



RJ45 sleeve housings, type: RJ45, degree of protection: IP67, number of positions: 8, material: PA, cable outlet: straight, color: traffic grey A RAL 7042, Ethernet

RJ45 sleeve housings

RJ45 sleeve housings - VS-08-T-H-RJ45/IP67-BK - 1658671

<https://www.phoenixcontact.com/us/products/1658671>



RJ45 sleeve housings, type: RJ45, degree of protection: IP67, number of positions: 8, material: PA, cable outlet: straight, color: jet black RAL 9005, Ethernet

RJ45 male insert - VS-08-ST-H21-RJ45

1652729

<https://www.phoenixcontact.com/us/products/1652729>

RJ45 bending protection sleeve

RJ45 bending protection sleeve - VS-08-KS-H/GY - 1654743

<https://www.phoenixcontact.com/us/products/1654743>

RJ45 bend protection sleeve, for pin inserts VS-08-ST-H11-RJ45 and VS-08-ST-H21-RJ45, for cable cross section up to 7 mm, color: gray



RJ45 bending protection sleeve

RJ45 bending protection sleeve - VS-08-KS-H/GN - 1654756

<https://www.phoenixcontact.com/us/products/1654756>

RJ45 bend protection sleeve, for pin inserts VS-08-ST-H11-RJ45 and VS-08-ST-H21-RJ45, for cable cross section up to 7 mm, color: green



RJ45 male insert - VS-08-ST-H21-RJ45



1652729

<https://www.phoenixcontact.com/us/products/1652729>

Crimping pliers

Crimping pliers - VS-CT-RJ45-H - 1653265

<https://www.phoenixcontact.com/us/products/1653265>



Crimp tool, pliers with die, for RJ45 pin inserts VS-08-ST-H...-RJ45 and VS-08-RJ45-10G/C

Phoenix Contact 2022 © - all rights reserved

<https://www.phoenixcontact.com>

Phoenix Contact USA
586 Fulling Mill Road
Middletown, PA 17057, United States
(+717) 944-1300
info@phoenixcon.com