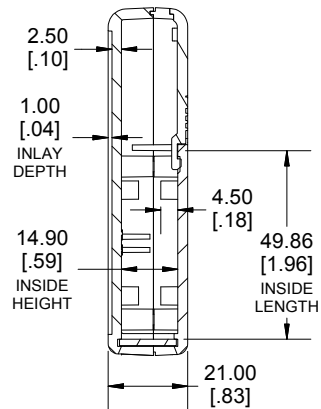
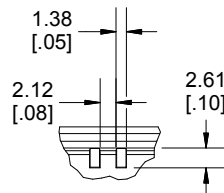


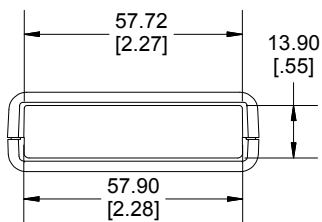
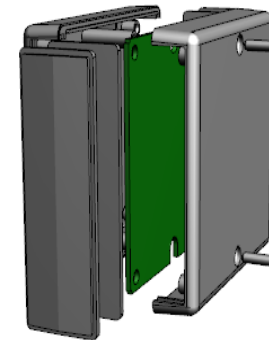
TOP VIEW



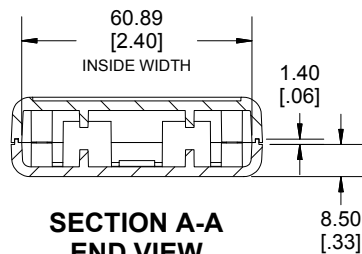
SECTION B-B  
 SIDE VIEW



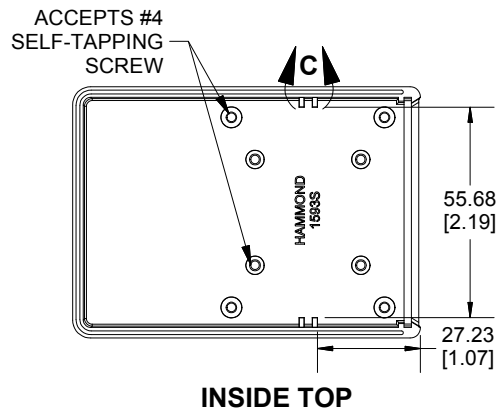
DETAIL C



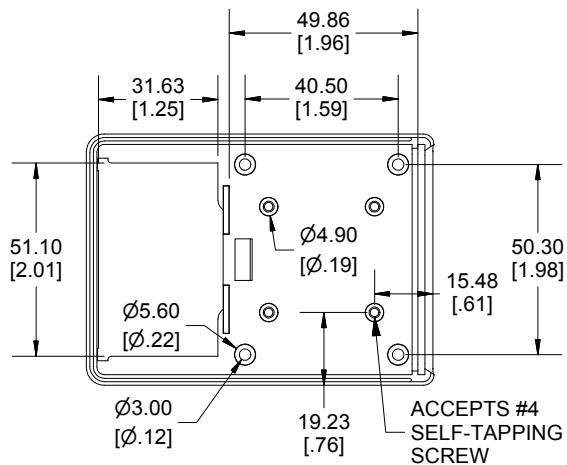
END VIEW



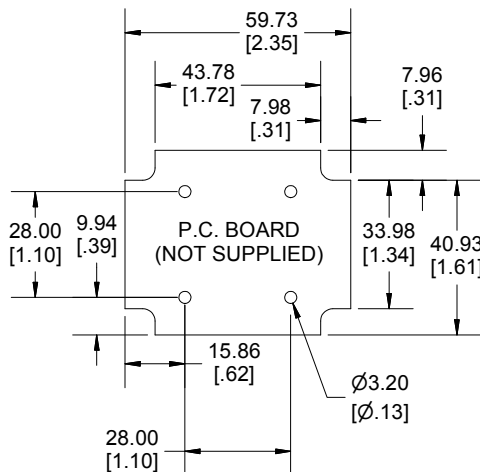
SECTION A-A  
 END VIEW



INSIDE TOP



INSIDE BOTTOM



Dimensions:  
 mm  
 [inches]

Enclosures can be Factory Modified (Milling, Drilling, Printing etc.)  
 Contact Factory (modshop@hammondmfg.com) for quotes  
 Solid models of this enclosure available in STEP or PARA.  
 (Part number and text placement/orientation on our products are subject to change,  
 we do not recommend using them as a locating reference for modification purposes)

NOTE		
Enclosure molded from GP ABS (UL94-HB) plastic.		
Purchased assembly includes top and bottom cover, 1 plastic flat panel for front, battery door and 4 cover screws.		
Recommended Cover Screw Torque - 57lbf-in ( 40cN-m)		
1593		
1593J Regular Enclosure		
Black Enclosure	1593SBK	
Grey Enclosure	1593SGY	
Translucent Blue Enclosure	1593STBU	
ACCESSORIES		
Cover Screws #4 X 5/8" Self-Tapping (100 Pkg)	1593MS100 (Silver) 1593MS100BK (Black)	
P.C. Board Screws #4 X 1/4" Self-Tapping	1593ATS50 (Pkg 50) 1593ATS100 (Pkg 100)	
Nylon Belt Clip	1599CLIP (Black) 1599CLIPGY (Grey)	
1-AAA Battery Holder (Single)	BH1AAAW	
2-AAA Battery Holder (Single)	BH2AAAW	
1593S STD FLAT PANEL (SINGLE PANEL)	Black	1593SLBK-BULK
	Grey	1593SLGY-BULK
	Translucent Blue	1593SLTB-BULK
	Infrared	1593SIR10
	Aluminum	1593SAL10

