

THIS DRAWING IS UNPUBLISHED. RELEASED FOR PUBLICATION
 © COPYRIGHT - By TE Connectivity ALL RIGHTS RESERVED.

LOC	DIST	REVISIONS						
		P	LTR	DESCRIPTION	DATE	DWN	APVD	
HB	-		E	CHANGE RAW MATEIAL OF CARD	ECO-19-012552	14-AUG-19	TOD	K.T
			E1	REMOVED SEMKO LOGO	ECN-21-112550	14-AUG-21	G.R	K.T

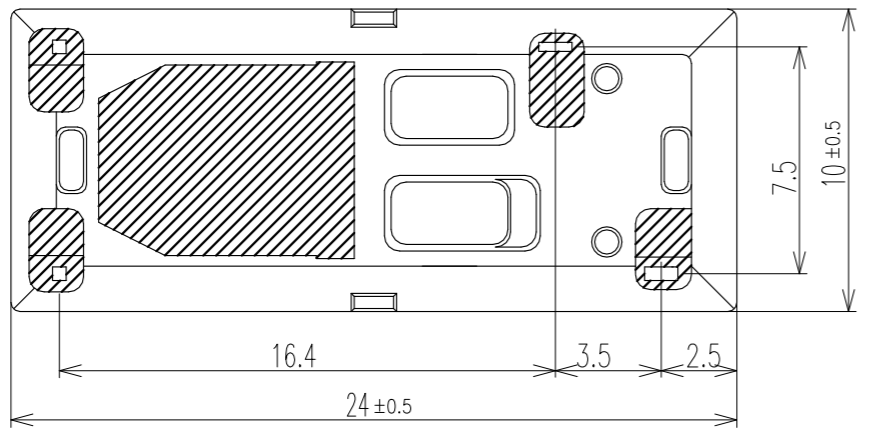
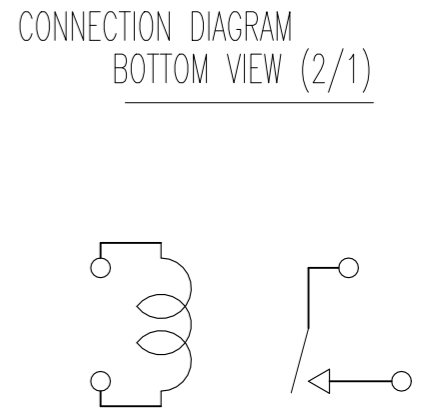
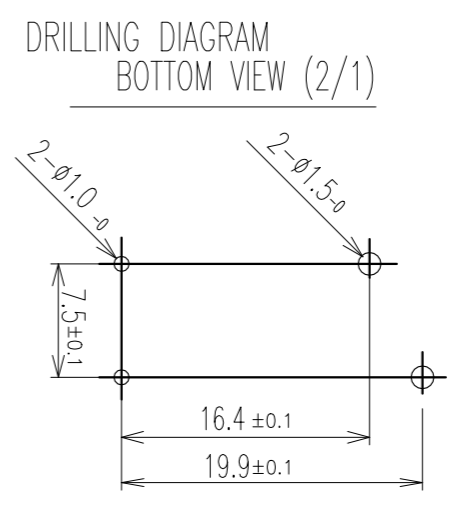
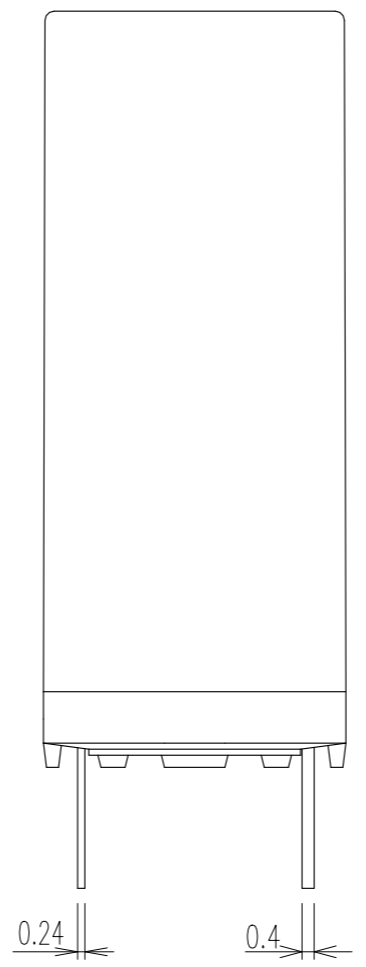
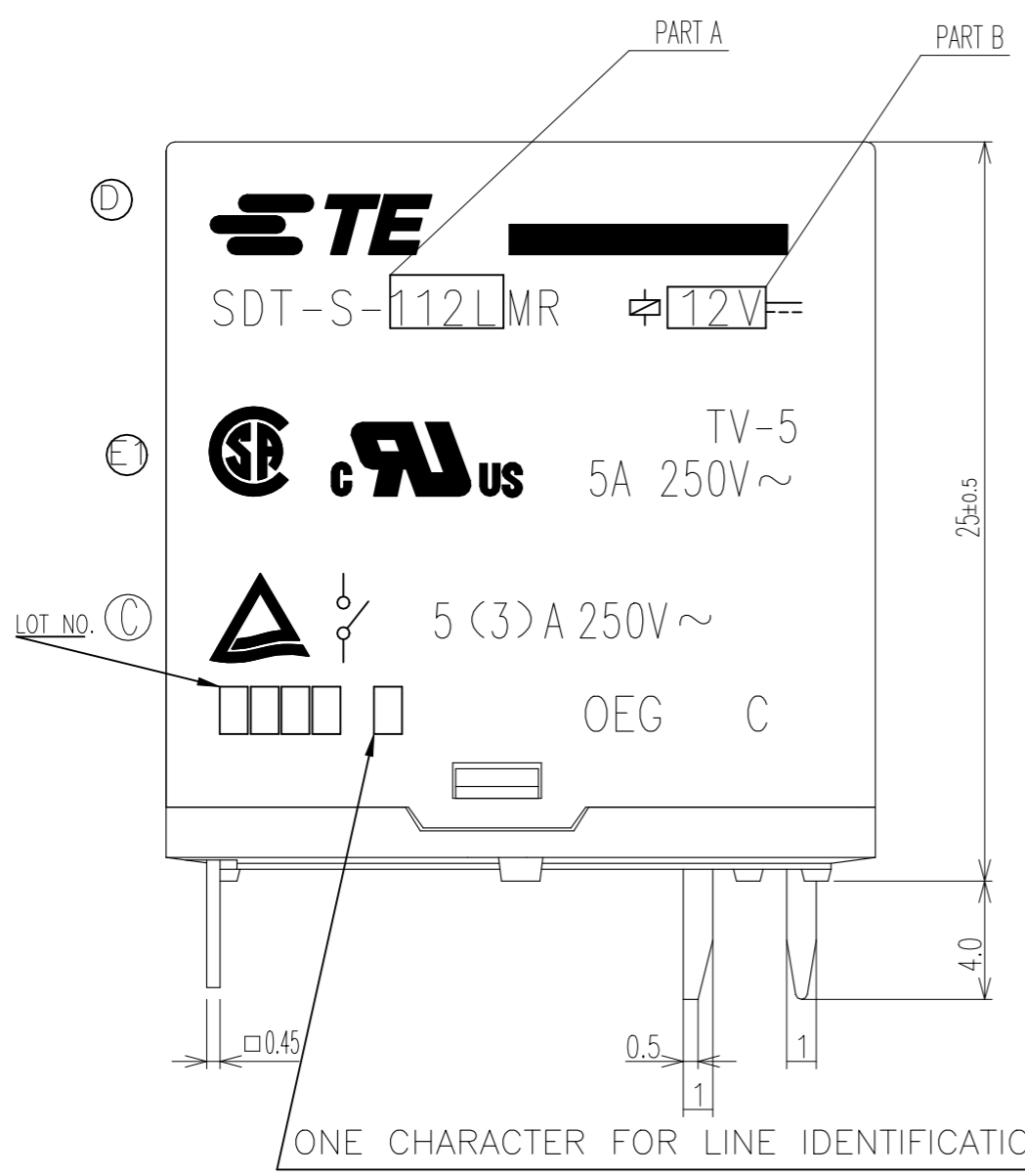


Diagram dimension	Tolerance
max. 1mm	±0.1mm
1 - 3mm	±0.2mm
min. 3mm	±0.3mm

- NOTES
- ① LOT NO. SYSTEM AS FOLLOWING:
 - ② TERMINAL DIMENSIONS BEFORE SOLDER DIP
 - ③ FOR THE TIN-PLATING OF THE PINS: +0.1mm FOR WIDTH, THICKNESS AND DIAMETER
 +0.5mm FOR LENGTH

THIS DRAWING IS A CONTROLLED DOCUMENT.		DWN	H.Sasaki		STE TE Connectivity
DIMENSIONS: mm		CHK	Y.Oikawa		
TOLERANCES UNLESS OTHERWISE SPECIFIED:		APVD	A.Nagai		NAME
0 PLC	± -	PRODUCT SPEC	-		SDT-LMR SPEC,601
1 PLC	± -	APPLICATION SPEC	-		SIZE
2 PLC	± -	WEIGHT	-		CAGE CODE
3 PLC	± -	MATERIAL	-		DRAWING NO
4 PLC	± -		A3 00779		RESTRICTED TO
ANGLES	± -	FINISH		-	
-		CUSTOMER DRAWING		SCALE	4:1
-		-		SHEET	1 OF 2
-		-		REV	E1


THIS DRAWING IS UNPUBLISHED. RELEASED FOR PUBLICATION
 © COPYRIGHT - By TE Connectivity ALL RIGHTS RESERVED.

LOC	DIST	REVISIONS					
HB	-	P	LTR	DESCRIPTION	DATE	DWN	APVD
		-		SEE SHEET 1	-	-	-

①	1461102-7	SDT-S-118LMR ,601	18V	SDT-S-118LMR	g
	1461102-6	SDT-S-124LMR ,601	24V	SDT-S-124LMR	f
	1461102-5	SDT-S-112LMR ,601	12V	SDT-S-112LMR	e
	1461102-4	SDT-S-109LMR ,601	9V	SDT-S-109LMR	d
	1461102-3	SDT-S-106LMR ,601	6V	SDT-S-106LMR	c
	1461102-2	SDT-S-105LMR ,601	5V	SDT-S-105LMR	b
	1461102-1	SDT-S-103LMR ,601	3V	SDT-S-103LMR	a
	PART NO	EC TYPE NAME	PART B	PART A	No

RELAY TYPE

		EPOXY RESIN	SEAL (BASE & TERMINAL)	15
		EPOXY RESIN	SEAL (BASE & YOKE)	14
		3UEW	MAGNETIC WIRE	13
94V-0		P.B.T	CASE	12
94V-0		P.B.T	BOBBIN	11
	SOLDER DIP	C.P WIRE	COIL TERMINAL	10
94V-0		PPS ⑤	CARD	9
		AgSn0	MOVABLE CONTACT	8
		AgSn0	NO.CONTACT	7
		STEEL	HINGE SPRING	6
	SOLDER DIP	Cu ALLOY	NO.TERMINAL	5
	SOLDER DIP	Cu ALLOY	MOVABLE SPRING	4
	NIP	STEEL	CORE	3
	NIP	STEEL	ARMATURE	2
	NIP	STEEL	YOKE	1
INCOMBUSTIBILITY	TREATMENT	MATERIAL	DESCRIPTION	ITEM

THIS DRAWING IS A CONTROLLED DOCUMENT.		DWN	H.Sasaki	
DIMENSIONS: mm		CHK	Y.Oikawa	
TOLERANCES UNLESS OTHERWISE SPECIFIED:		APVD	A.Nagai	
0 PLC ± -		PRODUCT SPEC	-	
1 PLC ± -		APPLICATION SPEC	-	
2 PLC ± -		WEIGHT	-	
3 PLC ± -		 TE Connectivity		
4 PLC ± -		NAME		
ANGLES ± -		SDT-LMR SPEC,601		
FINISH		SIZE	CAGE CODE	DRAWING NO
-		A3 00779		C-1461102
MATERIAL		RESTRICTED TO		-
-		CUSTOMER DRAWING		
		SCALE	SHEET	REV
		4:1	2 OF 2	E1