

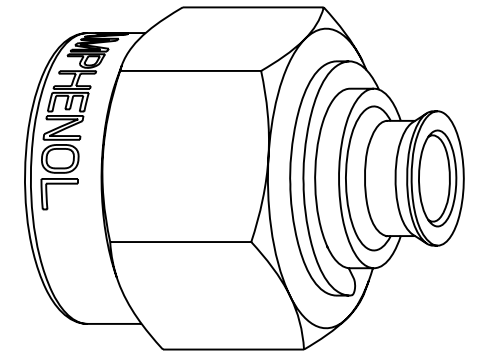
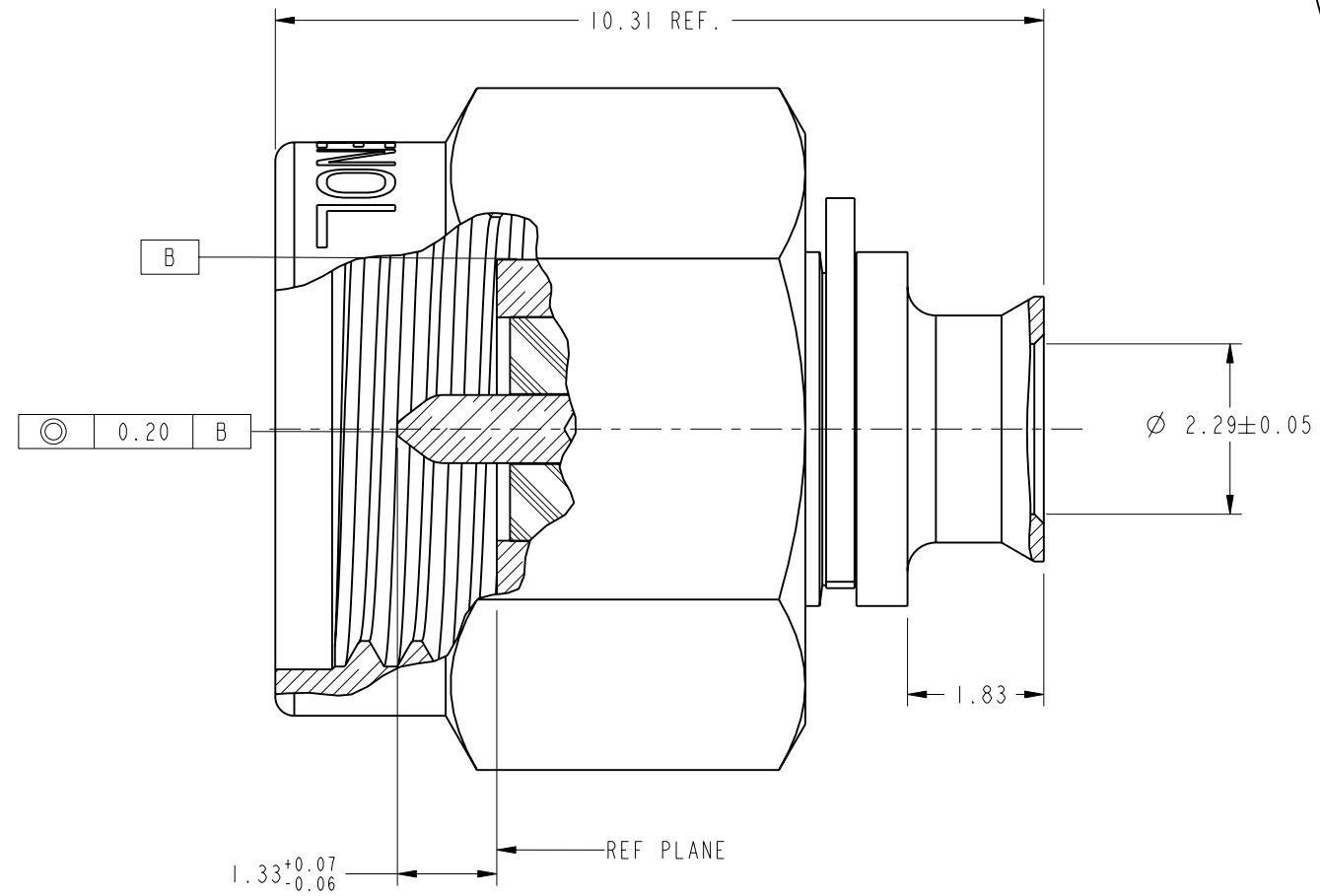
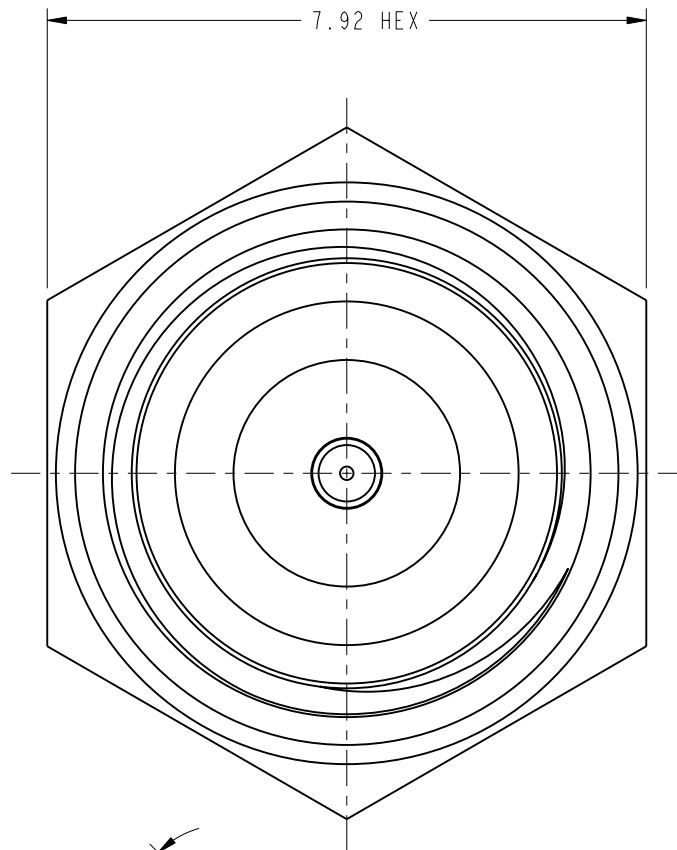
NOTES:

- MATERIALS AND FINISHES:
 BODY, - BeCu, GOLD PLATING 30 MIN.
 CONTACT - BeCu, GOLD PLATING 50 MIN.
 INSULATOR - PTFE
 COUPLING NUT - STAINLESS STEEL, PASSIVATED
- FOR ASSEMBLY INSTRUCTIONS SEE AMPHENOL SPEC. 349-50114, SHEET 21.
- VSWR: 1.29 MAX FROM DC TO 26.5 GHz.
- SOCKET CHARACTERISTICS: USING STEEL TEST PINS WITH A 16 MICROINCH FINISH CHAMFERED 45°
 INSERTION FORCE: 3 LBS MAX WITH A 0.53 +0.005/-0 DIA PIN
 WITHDRAWAL FORCE: 1 OZ MIN WITH A 0.48 +0/-0.005 DIA PIN

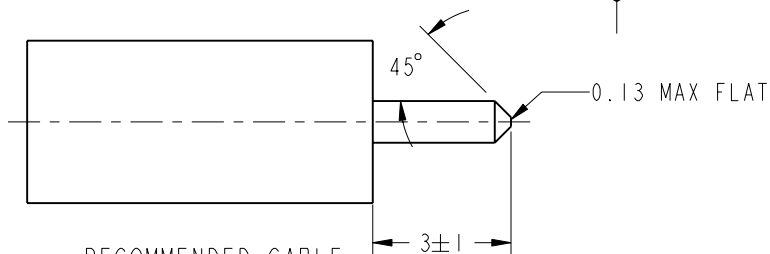
THIRD ANGLE PROJ.

REVISIONS

REV	DESCRIPTION	DATE	ECO	APPR
U	RELEASE TO MFG.	18-Jan-11		LQ



SCALE 5.000



RECOMMENDED CABLE STRIPPING DIMENSIONS
SCALE 6.000

CUSTOMER OUTLINE DRAWING

ALL OTHER SHEETS ARE FOR INTERNAL USE ONLY

UNLESS OTHERWISE SPECIFIED, DIMENSIONS ARE IN METRIC AND TOLERANCES ARE: 0.5 - 6mm ±0.1mm 6 - 30mm ±0.2mm 30 - 120mm ±0.3mm ANGLES ±1° NOTICE - These drawings, specifications, or other data (1) are, and remain the property of Amphenol corp. (2) must be returned upon request; and (3) are confidential and not to be disclosed to any person other than those to whom they are given by Amphenol Corp. the finishing of these drawings, specifications, or other data by Amphenol Corp., or to any other person for any purpose is not to be regarded by implication or otherwise in any manner licensing, granting rights to permitting such holder or any other person to manufacture, use or sell any product, process or design, patented or otherwise, that may in any way be related to or disclosed by said drawings, specifications, or other data.	MATERIAL	DRAWN L.QIN	DATE 18-Jan-11	TITLE SMA PLUG SOLDER TYPE .086 SEMI-RIGID			Amphenol RF Danbury CT USA, Tainan, Taiwan, Shenzhen, China www.amphenolrf.com		
	REFERENCE PURCHASE FROM DANBURY	ENGINEER E.ZHU	DATE 18-Jan-11						
	FINISH	APPROVED S.HSIEH	DATE 18-Jan-11	SCALE: 10.0:1.0	SHEET 1 OF 1	ITEM NO. 901-9723			
		CAD FILE I:\SMA\901-9723		DWG SIZE B	CODE ID 74868	REV U	PART NO. 901-9723		

Mouser Electronics

Authorized Distributor

Click to View Pricing, Inventory, Delivery & Lifecycle Information:

[Amphenol:](#)

[901-9723](#)