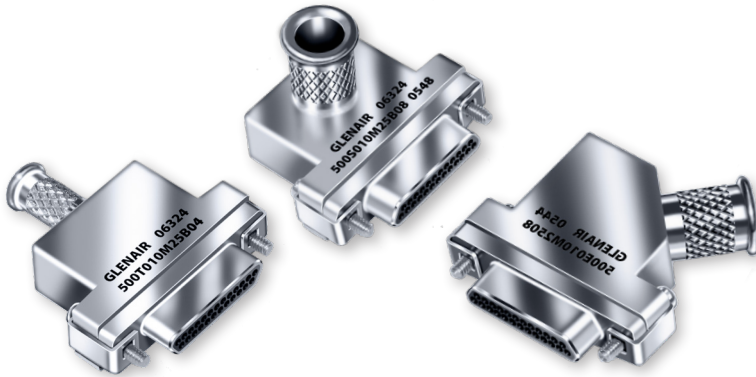




# 500T010, 500S010, 500E010, 500D010 Top, Side, 45°, and 90° Entry EMI/RFI Micro-D Banding Backshell Round Cable Entry



**Glenair's Most Popular Micro-D Backshell** is stocked in all sizes. Choose straight, side or 45° cable entry.

**Rugged One-Piece Aluminum shell** with stainless steel hardware, available in standard nickel plating, or choose optional finishes.

**17-7PH Stainless Steel Clips** attach the backshell to the connector. These backshells accept standard and micro Band-Master ATS® shield termination straps.

How To Order EMI/RFI Backshells								
<b>Sample Part Number</b>			<b>500T010</b>	<b>M</b>	<b>25</b>	<b>H 08 S</b>		
<b>Series</b>	<b>500T010 - Top Entry</b>	<b>500S010 - Side Entry</b>				(See Table III)		
<b>Shell Finish</b>	<b>500E010 - 45° Entry</b>	<b>500D010 - Dual 45°</b>				(See Table III)		
<b>Shell Size</b>	<b>09, 15, 21, 25, 31, 37, 51, 51-2, 67, 69, 100</b> (See Table III)							
<b>Hardware Option</b>	<table border="0" style="width: 100%; font-size: small;"> <tr> <td style="width: 50%; vertical-align: top;"> <b>B</b> - (2) Fillister Head Jackscrew  <b>BJ</b> - (2) Male Fillister Head  <b>H</b> - (2) Hex Head Jackscrew  <b>HJ</b> - (2) Male Hex  <b>E</b> - (2) Extended Jackscrew                 </td> <td style="width: 50%; vertical-align: top;"> <b>EJ</b> - (2) Male Extended (Style T and S Only)  <b>F</b> - (2) Jackpost, Female  <b>FB</b> - (1) Female Jackpost, (1) Male Fillister Head  <b>FH</b> - (1) Female Jackpost, (1) Male Hex Socket  <b>N</b> - No Hardware                 </td> </tr> </table>					<b>B</b> - (2) Fillister Head Jackscrew <b>BJ</b> - (2) Male Fillister Head <b>H</b> - (2) Hex Head Jackscrew <b>HJ</b> - (2) Male Hex <b>E</b> - (2) Extended Jackscrew	<b>EJ</b> - (2) Male Extended (Style T and S Only) <b>F</b> - (2) Jackpost, Female <b>FB</b> - (1) Female Jackpost, (1) Male Fillister Head <b>FH</b> - (1) Female Jackpost, (1) Male Hex Socket <b>N</b> - No Hardware	
<b>B</b> - (2) Fillister Head Jackscrew <b>BJ</b> - (2) Male Fillister Head <b>H</b> - (2) Hex Head Jackscrew <b>HJ</b> - (2) Male Hex <b>E</b> - (2) Extended Jackscrew	<b>EJ</b> - (2) Male Extended (Style T and S Only) <b>F</b> - (2) Jackpost, Female <b>FB</b> - (1) Female Jackpost, (1) Male Fillister Head <b>FH</b> - (1) Female Jackpost, (1) Male Hex Socket <b>N</b> - No Hardware							
<b>Cable Entry Code</b>	<b>04</b> - .125 (3.2)	<b>05</b> - .156 (4.0)	<b>06</b> - .188 (4.8)	<b>07</b> - .219 (5.6)	<b>08</b> - .250 (6.4)	<b>09</b> - .281 (7.1)		
<b>Qwik-Ty Option</b>	<b>S</b> - with Qwik-Ty strain relief <b>Omit</b> for none							
<b>Band-Master ATS® EMI Band Strap Option</b>	<table border="0" style="width: 100%; font-size: small;"> <tr> <td style="width: 33%;"> <b>Omit</b> (Leave Blank) - Band Not Included                      Use the following codes to order band strap with the connector. For best availability, order band separately.                 </td> <td style="width: 33%;"> <b>Standard Band</b> - .250" Wide  <b>B</b> - Uncoiled Band Included  <b>Micro Band</b> - .125" Wide  <b>M</b> - Uncoiled Band Included                 </td> <td style="width: 33%;"> <b>K</b> - Coiled Band Included  <b>L</b> - Coiled Band Included                 </td> </tr> </table>					<b>Omit</b> (Leave Blank) - Band Not Included Use the following codes to order band strap with the connector. For best availability, order band separately.	<b>Standard Band</b> - .250" Wide <b>B</b> - Uncoiled Band Included <b>Micro Band</b> - .125" Wide <b>M</b> - Uncoiled Band Included	<b>K</b> - Coiled Band Included <b>L</b> - Coiled Band Included
<b>Omit</b> (Leave Blank) - Band Not Included Use the following codes to order band strap with the connector. For best availability, order band separately.	<b>Standard Band</b> - .250" Wide <b>B</b> - Uncoiled Band Included <b>Micro Band</b> - .125" Wide <b>M</b> - Uncoiled Band Included	<b>K</b> - Coiled Band Included <b>L</b> - Coiled Band Included						

Shell Size	Style E & T	Style D	Style S
9	08	06	09
15	08	08	10
21	08	08	10
25	08	08	12
31	09	09	12
37	09	09	12
51	10	10	12
51-2	09	09	12
67	09	09	12
69	10	10	12
75	10	10	12
100	12	12	12
130	12	12	12

Cable Size	P ±.015		R Dia. Max	
	In. ± .015	mm. ± 0.38	In.	mm.
04	.125	3.2	.296	7.5
05	.156	4.0	.327	8.3
06	.188	4.8	.359	9.1
07	.219	5.6	.390	9.9
08	.250	6.4	.421	10.7
09	.281	7.1	.452	11.5
10	.312	7.9	.484	12.3
11	.344	8.7	.515	13.1
12	.375	9.5	.546	13.7

**Notes**

- Assembly identified with manufacturer's name and P/N
- 51-2 shell size is for a special 51 position 2 row Micro D connector
- Knurled or ribbed banding platform - manufacturer's option
- EMI gasket mounts between mating connector and panel

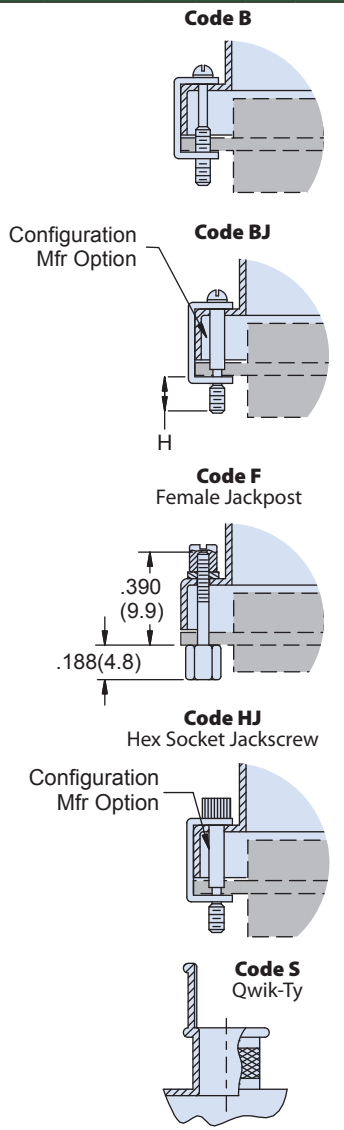
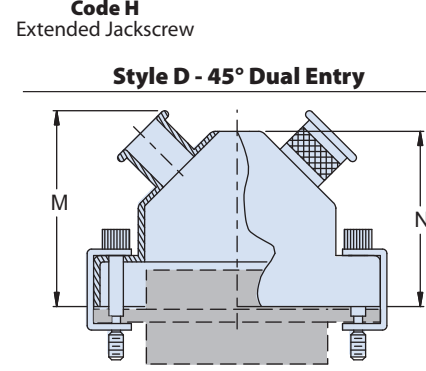
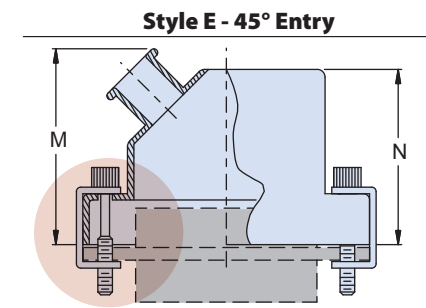
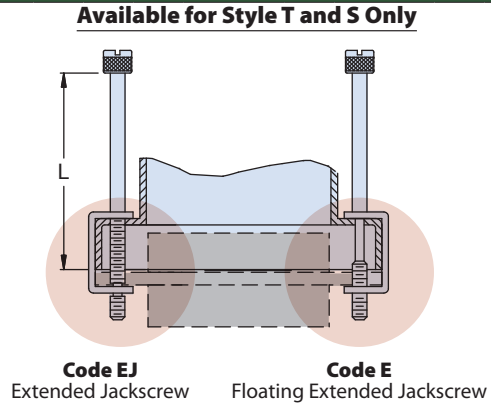
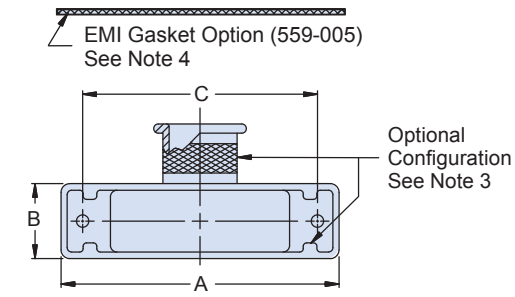
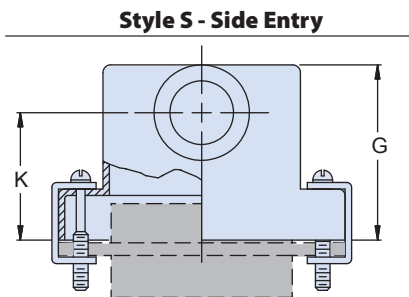
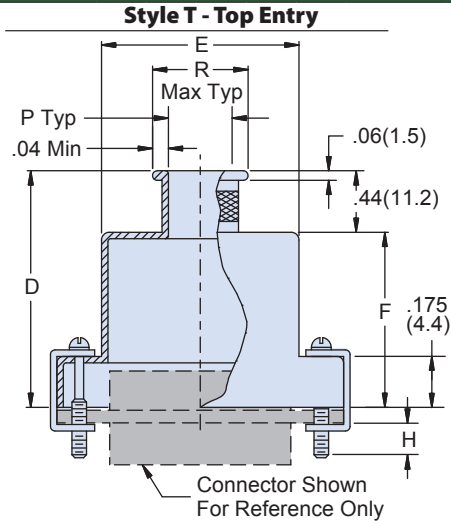
**Materials/Finish**

- Shell: Aluminum Alloy 6061 -T6 Per QQ-A-200, QQ-A-225 (Machined Components)  
Aluminum Alloy 6061-T6 Per QQ-A-591 (A380) (Die-Cast Components)
- Clips, E-Rings: 17-7PH Stainless Steel
- Jackscrews, Washers, Jackposts: 300 Series Stainless Steel, Passivated

**500T010, 500S010, 500E010, 500D010**  
**Top, Side, 45°, and 90° Entry**  
**EMI/RFI Micro-D Banding Backshell**  
**Round Cable Entry**



**Table III: Dimensions**



Size	A Max.		B Max.		C		D Max.		E Max.		F Max.		G Max.		H Ref.		J Thread	K		L Max.		M Max.		N Max.	
	In.	mm.	In.	mm.	In.	mm.	In.	mm.	In.	mm.	In.	mm.	In.	mm.	In.	mm.		In.	mm.	In.	mm.	In.	mm.	In.	mm.
09	.850	21.59	.370	9.40	.565	14.35	.780	19.81	.410	10.41	.350	8.89	.637	16.18	.154	3.9	2-56 UNC-2	.435	11.05	1.040	26.42	1.000	25.40	.680	17.27
15	1.000	25.40	.370	9.40	.715	18.16	.910	23.11	.580	14.73	.470	11.94	.673	17.09	.154	3.9	2-56 UNC-2	.440	11.2	1.170	29.72	1.030	26.16	.730	18.54
21	1.150	29.21	.370	9.40	.865	21.97	1.030	26.16	.740	18.80	.590	14.99	.707	17.95	.154	3.9	2-56 UNC-2	.458	11.63	1.290	32.77	1.050	26.67	.765	19.43
25	1.250	31.75	.370	9.40	.965	24.51	1.090	27.69	.850	21.59	.650	16.51	.748	19.00	.154	3.9	2-56 UNC-2	.483	12.27	1.350	34.29	1.090	27.69	.830	21.08
31	1.400	35.56	.370	9.40	1.115	28.32	1.150	29.21	.980	24.89	.710	18.03	.756	19.20	.154	3.9	2-56 UNC-2	.476	12.09	1.420	36.07	1.130	28.70	.890	22.61
37	1.550	39.37	.370	9.40	1.265	32.13	1.190	30.23	1.130	28.70	.750	19.05	.774	19.66	.154	3.9	2-56 UNC-2	.478	12.14	1.450	36.83	1.230	31.24	.955	24.26
51	1.500	38.10	.410	10.41	1.215	30.86	1.220	30.99	1.080	27.43	.780	19.81	.859	21.82	.154	3.9	2-56 UNC-2	.548	13.91	1.480	37.59	1.250	31.75	1.005	25.53
51-2	1.910	48.51	.370	9.40	1.615	41.02	1.220	30.99	1.510	38.35	.780	19.81	.859	21.82	.154	3.9	2-56 UNC-2	.548	13.91	1.480	37.59	1.250	31.75	1.005	25.53
67	2.310	58.67	.370	9.40	2.015	51.18	1.220	30.99	1.880	47.75	.780	19.81	.859	21.82	.154	3.9	2-56 UNC-2	.548	13.91	1.480	37.59	1.250	31.75	1.005	25.53
69	1.810	45.97	.410	10.41	1.515	38.48	1.220	30.99	1.380	35.05	.780	19.81	.859	21.82	.154	3.9	2-56 UNC-2	.548	13.91	1.480	37.59	1.250	31.75	1.005	25.53
75	2.140	54.36	.410	10.41	1.705	43.31	1.220	30.99	1.375	34.93	.780	19.81	.859	21.82	.184	4.7	4-40 UNC-2	.548	13.91	1.480	37.59	1.250	31.75	1.005	25.53
100	2.235	56.77	.460	11.68	1.800	45.72	1.280	32.51	1.470	37.34	.840	21.34	1.014	25.76	.184	4.7	4-40 UNC-2	.687	17.45	1.580	40.13	1.320	33.53	1.080	27.43
130	2.595	65.92	.490	11.68	2.160	54.86	1.280	32.51	1.830	46.48	.840	21.34	1.014	25.76	.184	4.7	4-40 UNC-2	.687	17.45	1.580	40.13	1.320	33.53	1.080	27.43



# Mouser Electronics

Authorized Distributor

Click to View Pricing, Inventory, Delivery & Lifecycle Information:

## Glenair:

[500E010M15H08M](#) [500E010M15HJ08](#) [500S010M100H08B](#) [500S010MT69H12](#) [500S010NF37B12](#)  
[500S010NF51H09B](#) [500T010A09F08K](#) [500T010J09B07](#) [500T010J37H09](#) [500T010M09H08L](#) [500T010M09N07B](#)  
[500T010M15BJ08](#) [500T010M69E10](#) [500E010M09H06](#) [500T010J15H05](#) [500T010M21B05K](#) [500T010M25B08K](#)  
[500T010M25BJ08](#) [500T010NF15E08](#) [500S010M21H10](#) [500S010M31H12K](#) [500T010A37E09](#) [500T010M09E05](#)  
[500T010M09HJ06SK](#) [500T010M15H05M](#) [500T010M15HJ08SK](#) [500T010M21HJ08SK](#) [500T010M25N08](#)  
[500T010M31E08](#) [500T010M31H09S](#) [500T010M31HJ09SK](#) [500T010M25F06](#) [500S010NF09N08B](#) [500E010Z221H08](#)  
[500T010Z225H08](#) [500T010Z231H09](#) [500E010Z225H08](#) [500T010J31H09](#) [500T010Z209H08](#) [500D010M21H08](#)  
[500E010M25H08L](#) [500E010MT37H09](#) [500E010NF09H08](#) [500S010M09HJ09S](#) [500S010M31H12B](#) [500S010M69H10](#)  
[500T010M15N10](#) [500T010M21H10](#) [500T010M31BJ09](#) [500T010M31H05](#) [500T010M31H09K](#) [500T010M51-2H09](#)  
[500T010M51E10K](#)