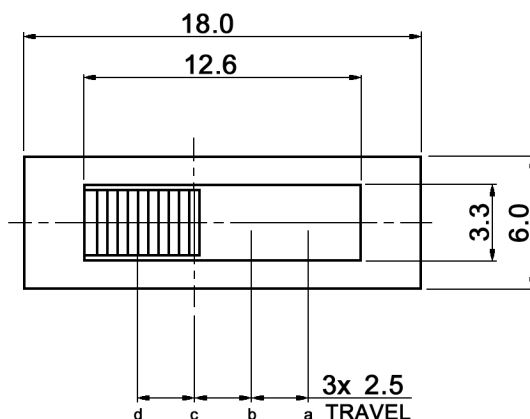
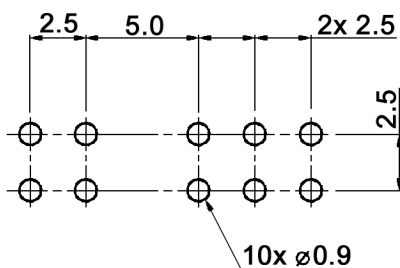


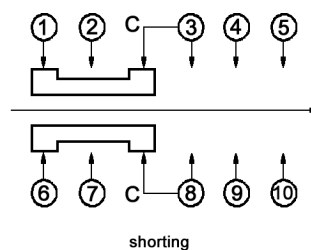
HOLE LAYOUT $\varnothing 0.05$



Specifications:

- Contact rating: 0.35A, 30V DC
- Contact resistance: 20mOhm max.
- Insulation resistance: 100MOhm min. at 500V DC for 1 minute
- Dielectric strength: 500V AC (50/60Hz, 2mA) for 1 minute
- Operating temperature: -10°C to +60°C
- Mechanical life: 10 000 cycles
- Operating force: a-b d-c: 200 +/-100gf
b-c c-b: 300 +/-150gf
b-a c-d: 300 +/-150gf
- Soldering conditions: 260 +/-5°C, 5 +/-1sec.
- Material: Terminal: brass strip, silver plated
Base: phenolic resin, natural
Frame: steel, nickel plated
Contact clip: phosphor bronze, silver plated
Steel ball: carbon steel, natural
Spring: SWC, temper
Slider: PBT, black

CIRCUIT DIAGRAM
C: COMMON PIN
BOTTOM VIEW



Compliance: RohS II (2011/65/EU)

Tolerances:	Date	Name
up to 10: ±0.2mm	09/14	dr
above 10-50: ±0.3mm		
Modifications	Date	Name

MFP 2424

30 31 82

Page

1/1

knitter-switch