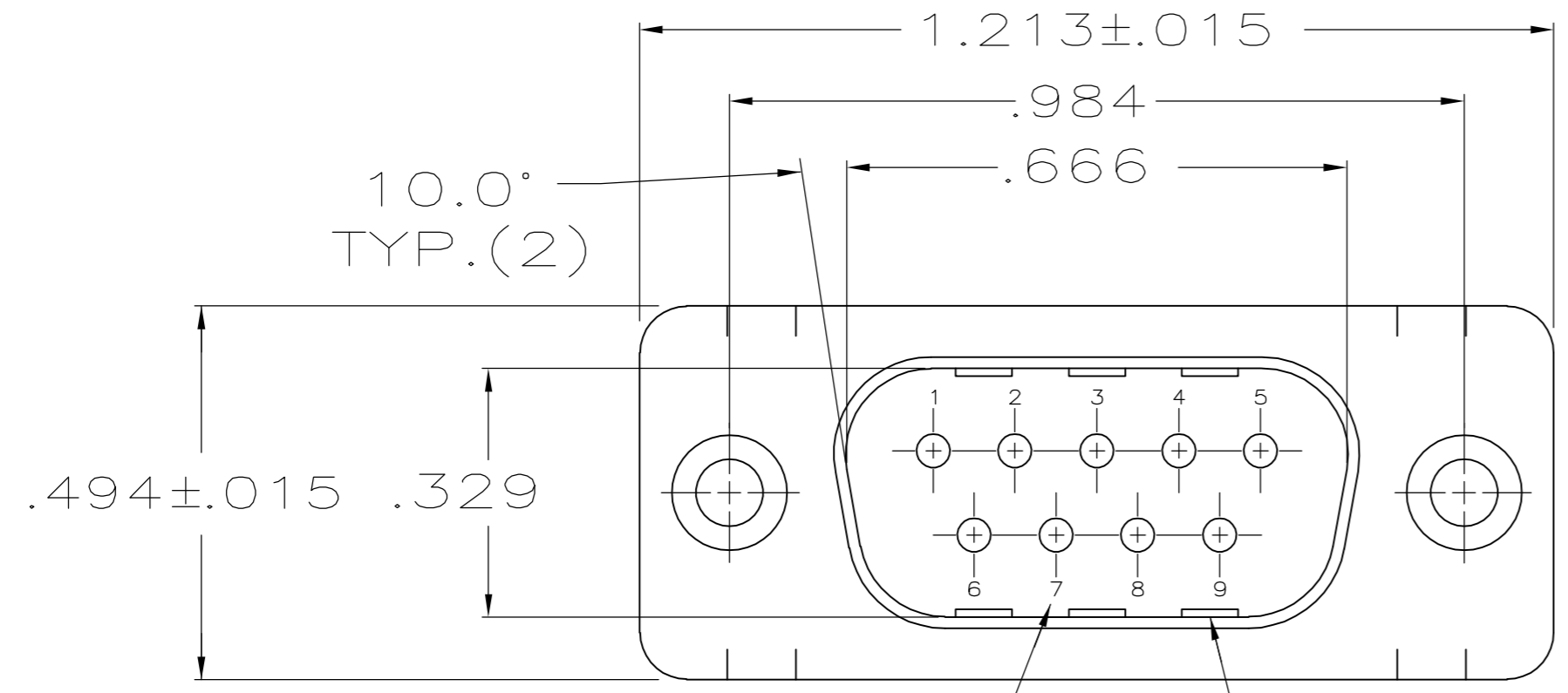


THIS DRAWING IS UNPUBLISHED. RELEASED FOR PUBLICATION
 © COPYRIGHT BY TYCO ELECTRONICS CORPORATION. ALL RIGHTS RESERVED.

LOC	DIST	REVISIONS			
P	LTR	DESCRIPTION	DATE	DWN	APVD
GP	00	B	REVISED PER ECO-06-007638	17MAY06	JDP CR

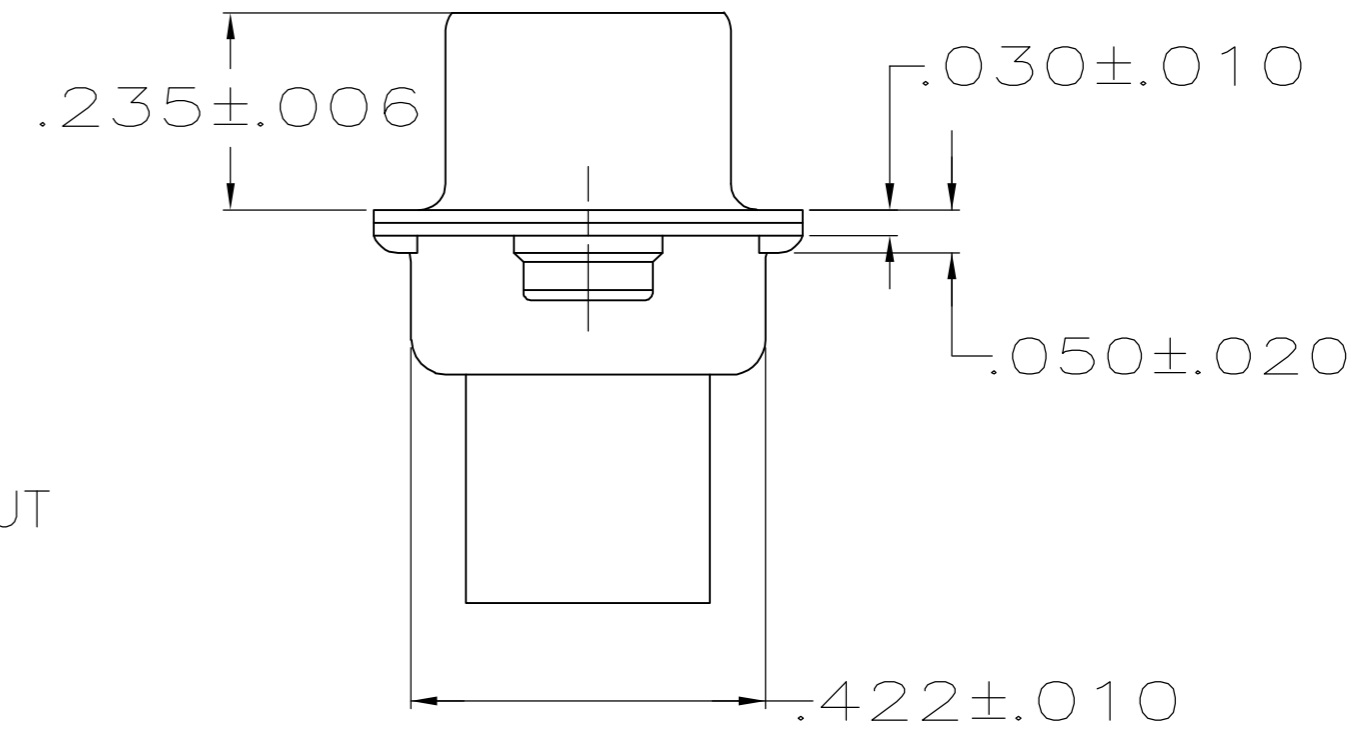
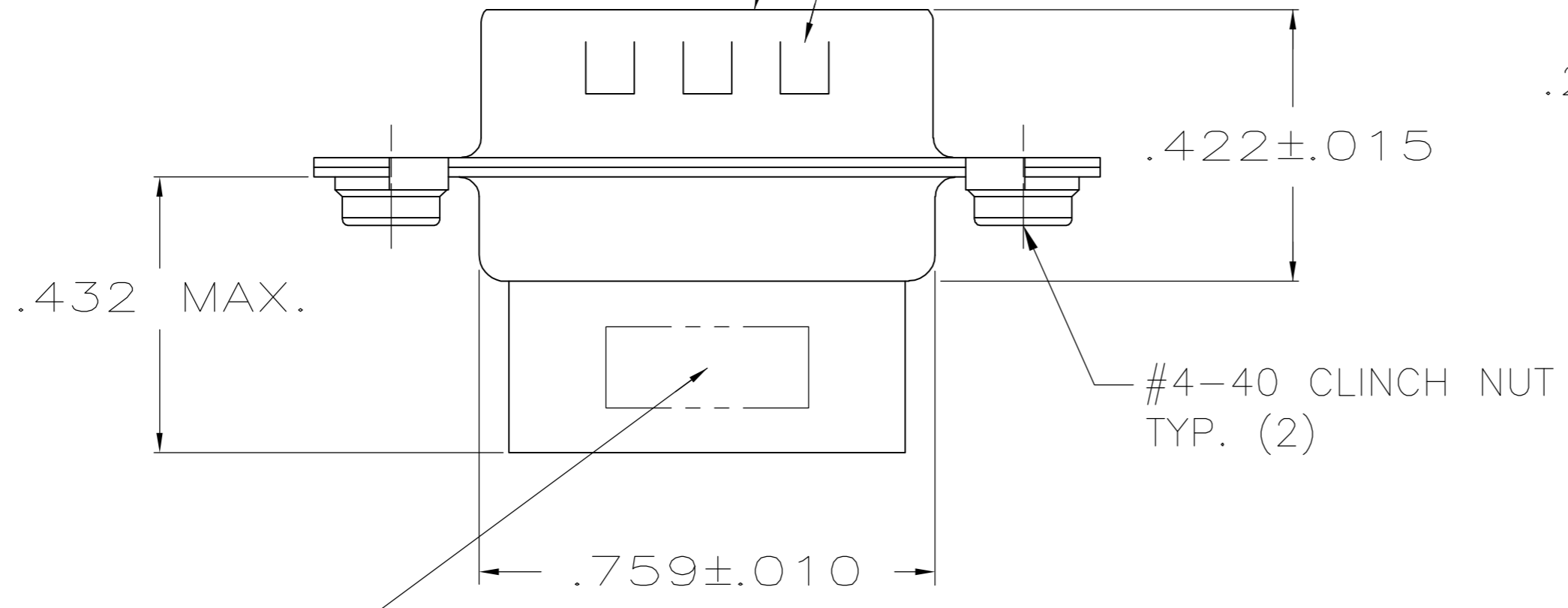


- CONNECTOR ACCEPTS SIZE 20 DF PIN CONTACTS, RETENTION TINES ARE AN INTEGRAL PART OF INSERT.
- MOLDED PARTS: FLAME RETARDANT 94V-0 RATED THERMOPLASTIC; COLOR: BLACK.
- SHELLS: STEEL PER ASTM A109.
- .000200 MIN TIN PLATE OVER .000100 MIN COPPER UNDERPLATE.

RAISED CAVITY IDENTIFICATION

GROUNDING INDENTS (SEE TABLE)

MATING FACE



MANUFACTURER'S LOGO, PART NO. & DATE CODE, MARKED IN AREA INDICATED, ON FAR SIDE

NO	1658642-2
YES	1658642-1
GROUNDING INDENTS	PART NUMBER

THIS DRAWING IS A CONTROLLED DOCUMENT.		DWN	L. VARELA - DOCK5	11-17-04	Tyco Electronics Corporation Harrisburg, PA 17105-3608
DIMENSIONS: INCHES		CHK	J. GERACE	11-17-04	
TOLERANCES UNLESS OTHERWISE SPECIFIED:		APVD	M. WALMSLEY	11-17-04	NAME PLUG CONNECTOR, SIZE 1, 9 POS., W/ CLINCH NUTS, AMPLIMITE HDP
0 PLC ± -		PRODUCT SPEC	108-40005	SIZE	
1 PLC ± -		APPLICATION SPEC	114-40030	CAGE CODE	00779
2 PLC ± -		WEIGHT	-	DRAWING NO	C=1658642
3 PLC ± .005		CUSTOMER DRAWING	SCALE	4:1	SHEET
4 PLC ± -		FINISH		1 of 1	REV
ANGLES ± 2°		SHELLS: 4		B	