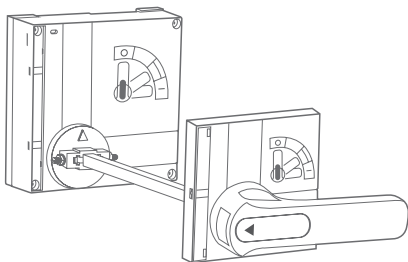




EKF



TECHNICAL MANUAL

Extended rotary handle

VA-99M EKF

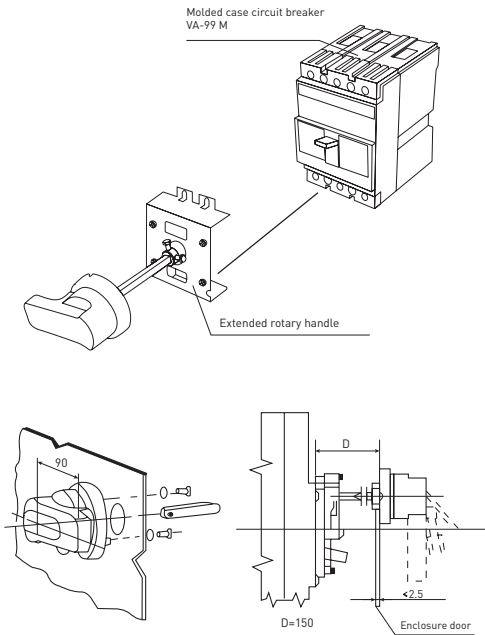
1 TECHNICAL DATA

The extended rotary handle VA-99M EKF is designed to convert the rotary movement into the forward motion for the molded case circuit breaker (MCCB) operation. The mechanism shall be fastened directly to the circuit breaker, and the extended rotary handle shall be fastened to the distribution enclosure door to operate the circuit breaker through a door. Types and main technical performances are given in table 1.

Table 1

Name	Net weight, kg	Item code
Extended rotary handle VA-99M 63 EKF	0,55	mccb99m-a-118
Extended rotary handle VA -99M 100 EKF	0,55	mccb99m-a-119
Extended rotary handle VA -99M 250 EKF	0,67	mccb99m-a-120
Extended rotary handle VA -99M 400 EKF	0,67	mccb99m-a-121
Extended rotary handle VA -99M 630 EKF	0,80	mccb99m-a-122
Extended rotary handle VA -99M 800 EKF	0,80	mccb99m-a-123
Extended rotary handle eccentric VA-99M 63 EKF	0,63	mccb99m-a-124
Extended rotary handle eccentric VA -99M 100 EKF	0,63	mccb99m-a-125
Extended rotary handle eccentric VA -99M 250 EKF	0,77	mccb99m-a-126
Extended rotary handle eccentric VA -99M 400 EKF	0,77	mccb99m-a-127
Extended rotary handle eccentric VA -99M 630 EKF	0,92	mccb99m-a-128
Extended rotary handle eccentric VA -99M 800 EKF	0,92	mccb99m-a-129

Installation diagram:



2 OVERALL DIMENSIONS

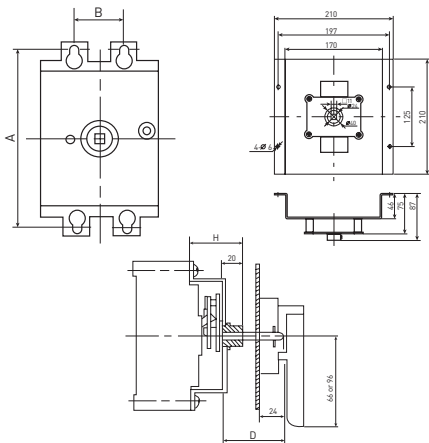


Table 2

Name	A, mm	B, mm	H, mm	D, mm
Extended rotary handle VA-99M 63 EKF	102	25	50	150
Extended rotary handle VA-99M 100 EKF	104	30	45	
Extended rotary handle VA-99M 250 EKF	142	35	47	
Extended rotary handle VA-99M 400 EKF	194	138	88	
Extended rotary handle VA-99M 630 EKF	200	168	98	
Extended rotary handle VA-99M 800 EKF	245	198	87	

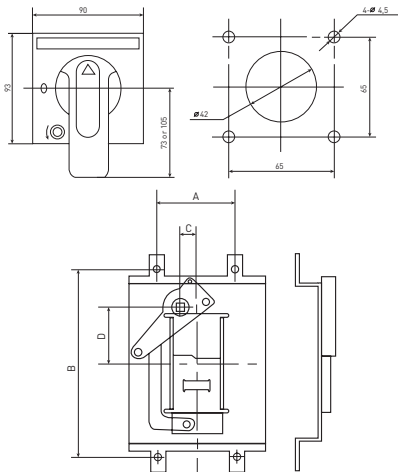


Table 3

Name	A, mm	B, mm	H, mm	D, mm
Extended rotary handle eccentric VA-99M 63 EKF	25	100	0	35
Extended rotary handle eccentric VA-99M 100 EKF	30	104	11	
Extended rotary handle eccentric VA-99M 250 EKF	35	144		
Extended rotary handle eccentric VA-99M 400 EKF	138	195	15	60
Extended rotary handle eccentric VA-99M 630 EKF	172	81		
Extended rotary handle eccentric VA-99M 800 EKF	198	242		

3 DELIVERY SCOPE

The extended rotary handles are supplied in an individual package. For all available information, scan the QR-code on the insert or on the inside of the package.

4 TRANSPORTATION AND STORAGE

The extended rotary handles can be transported by any type of enclosed transport that ensures the protection of packed products against moisture and mechanical impacts. The products shall be stored in the original package.

5 DISPOSAL

The life-expired and failed products shall be disposed of in compliance with the national and local laws and regulation in force. To dispose of the product, send it to an authorized company for recycling in compliance with the national and local laws and regulations in force.

6 MANUFACTURER'S WARRANTY

Warranty period: 7 years from the date of sale specified in the sales receipt.

Shelf life: 7 years from the date of manufacture specified on the product package or housing.

Service life: 10 years.

Manufacturer: For information, refer to the product package.

Importer and EKF trademark service representative:

EKF ELECTRICAL SOLUTION – FZCO, Dubai Silicon Oasis, DDP, Building A2, Dubai, United Arab Emirates.

Importer and EKF trademark service representative on the territory of the Russian Federation:

OOO «Electroresheniya», Otradnaya st., 2b bld. 9, 5th floor, 127273, Moscow, Russia. Tel.: +7 (495) 788-88-15.

Importer and EKF trademark service representative on the territory of the Republic of Kazakhstan:

TOO «Energoresheniya Kazakhstan», Kazakhstan, Almaty, Bostandyk district, Turgut Ozal st., 247, apt 4.

7 CERTIFICATE OF ACCEPTANCE

The extended rotary handle VA-99M EKF complies with regulations in force and has been approved for operation.

Date of manufacture: For information, refer to the product package.

Quality control stamp



ekfgroup.com

v2.1