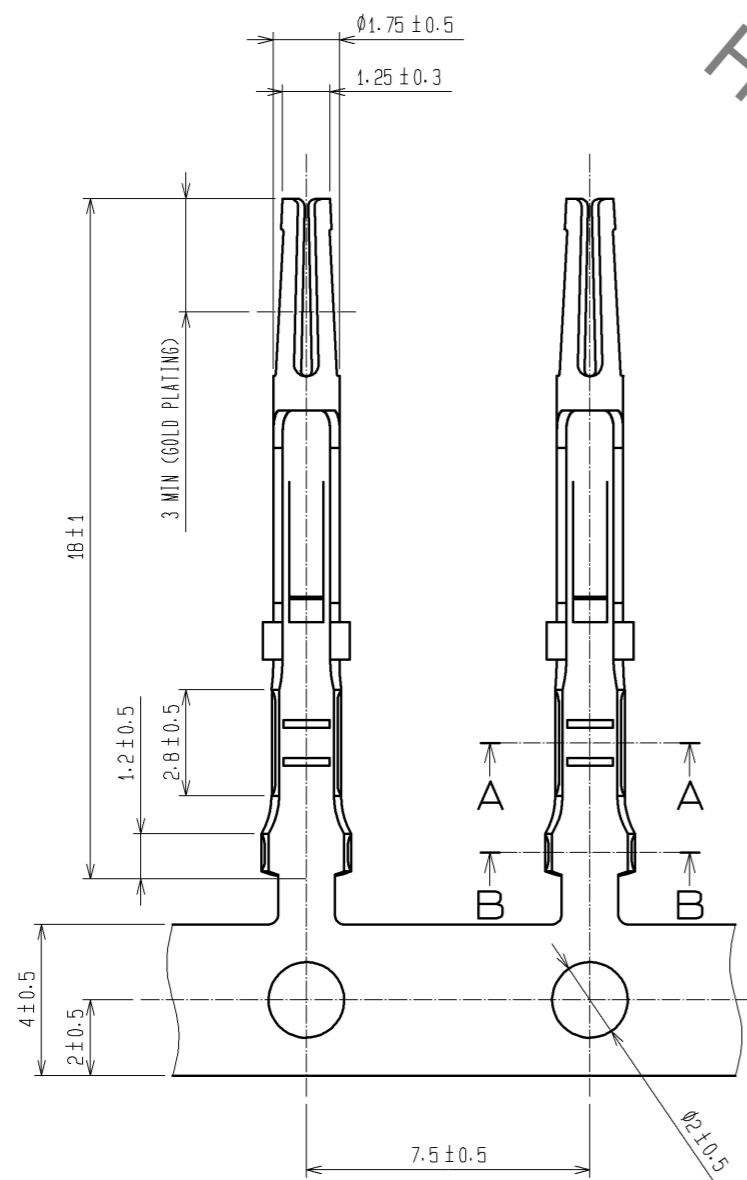
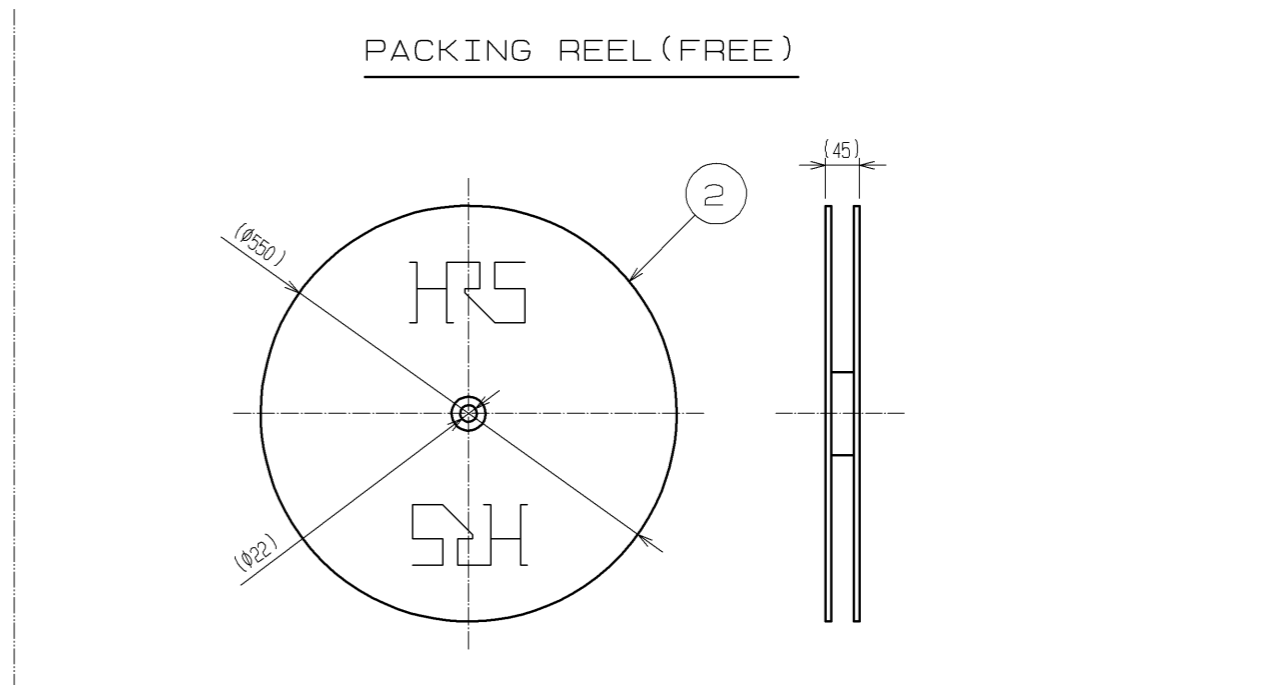


Jan.1.2022 Copyright 2022 HIROSE ELECTRIC CO., LTD. All Rights Reserved.
 In case of consideration for using Automotive equipment / device which demand high reliability, kindly contact our sales window correspondents.

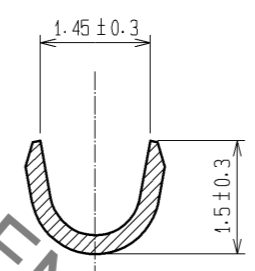


NOTE 1. PER REEL 10000 CONTACTS.

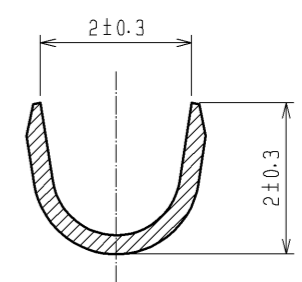
HRS DRAWING FOR REFERENCE



A-A (10:1)



B-B (10:1)



1	PHOSPHOR BRONZE	CONTACT AREA : GOLD PLATING 0.2µm min UNDER : NICKEL PLATING 1µm min				
NO.	MATERIAL	FINISH . REMARKS	NO.	MATERIAL	FINISH . REMARKS	
UNITS mm		SCALE 5 : 1		DESCRIPTION OF REVISIONS	DESIGNED	CHECKED DATE
HRS HIROSE ELECTRIC CO., LTD.		APPROVED : YH. ENAMI 08.12.03	DRAWING NO.	EDC3-009355-01		
		CHECKED : HO. MIWA 08.12.03	PART NO.	CD-SC-221		
		DESIGNED : YH. MAMADA 08.12.02	CODE NO.	CL211-0204-0-00		
		DRAWN : YH. MAMADA 08.12.02				

Mouser Electronics

Authorized Distributor

Click to View Pricing, Inventory, Delivery & Lifecycle Information:

[Hirose Electric:](#)

[CD-SC-221](#)