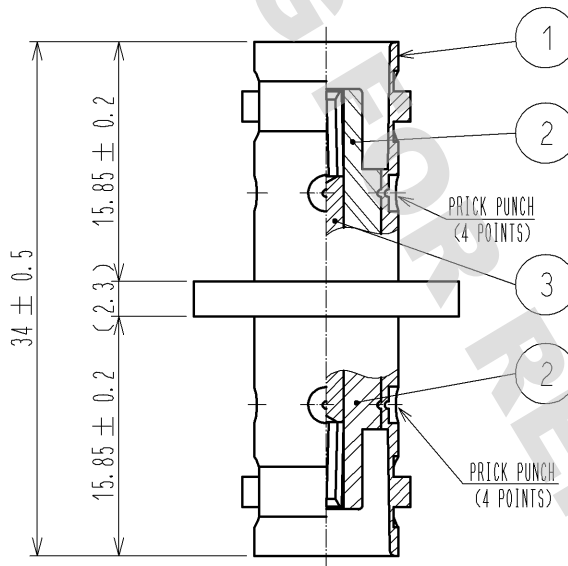
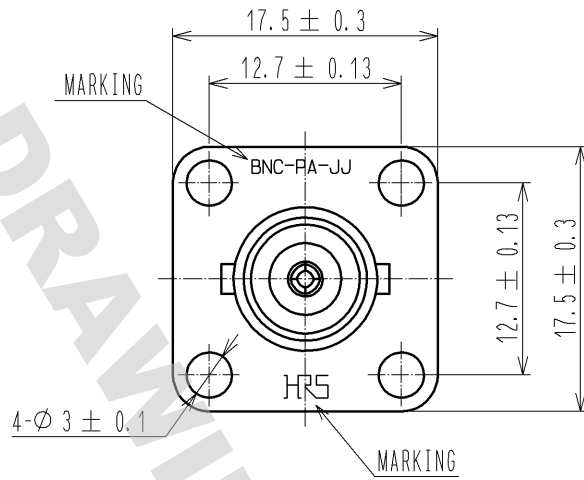


DRAWING FOR REFERENCE: This is subject to change without notice
08/11/2012



RoHS COMPLIANT

2	PTFE		3	BERYLLIUM COPPER	SILVER PLATING		
1	BRASS	SILVER PLATING					
NO.	MATERIAL	FINISH . REMARKS	NO.	MATERIAL	FINISH . REMARKS		
UNITS mm		SCALE 2 : 1	COUNT 	DESCRIPTION OF REVISIONS	DESIGNED	CHECKED	DATE
HIROSE ELECTRIC CO., LTD.		APPROVED : TS. NOBE	11. 09. 30	DRAWING NO.	EDC4-000120-40		
		CHECKED : NK. NINOMIYA	11. 09. 30	PART NO.	BNC-PA-JJ(40)		
		DESIGNED : YI. FUNADA	11. 09. 29	CODE NO.	CL302-0052-1-40		
		DRAWN : YI. FUNADA	11. 09. 29				

Mouser Electronics

Authorized Distributor

Click to View Pricing, Inventory, Delivery & Lifecycle Information:

[Hirose Electric:](#)

[BNC-PA-JJ\(40\)](#)