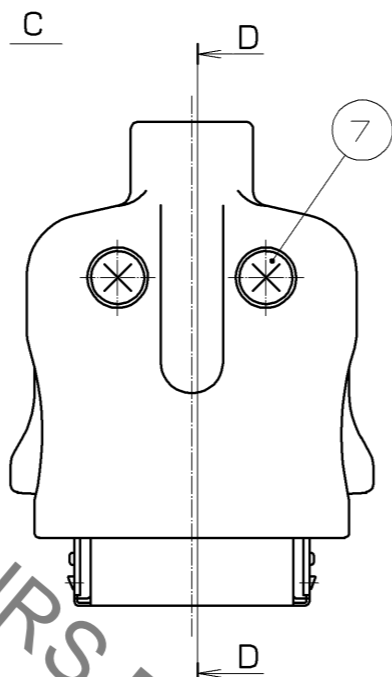
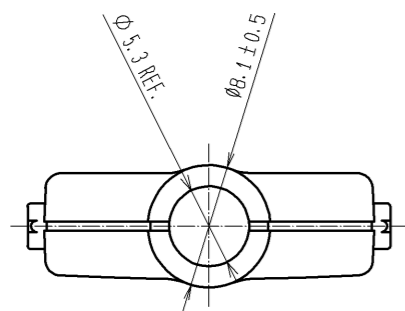
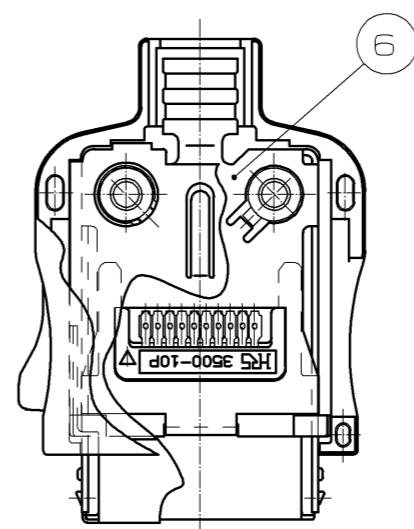


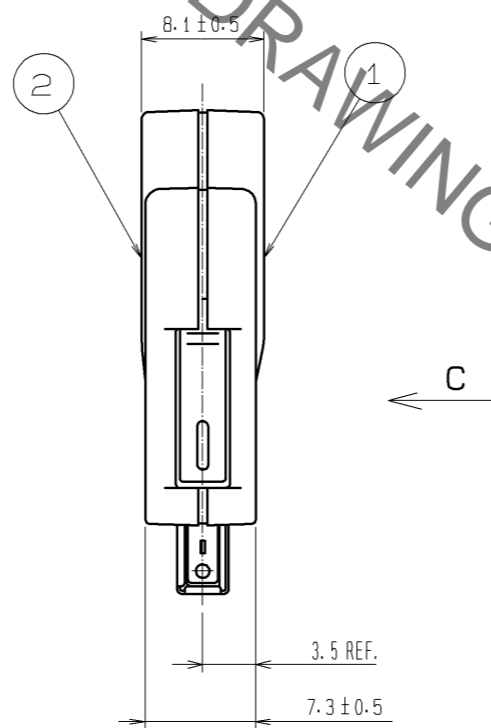
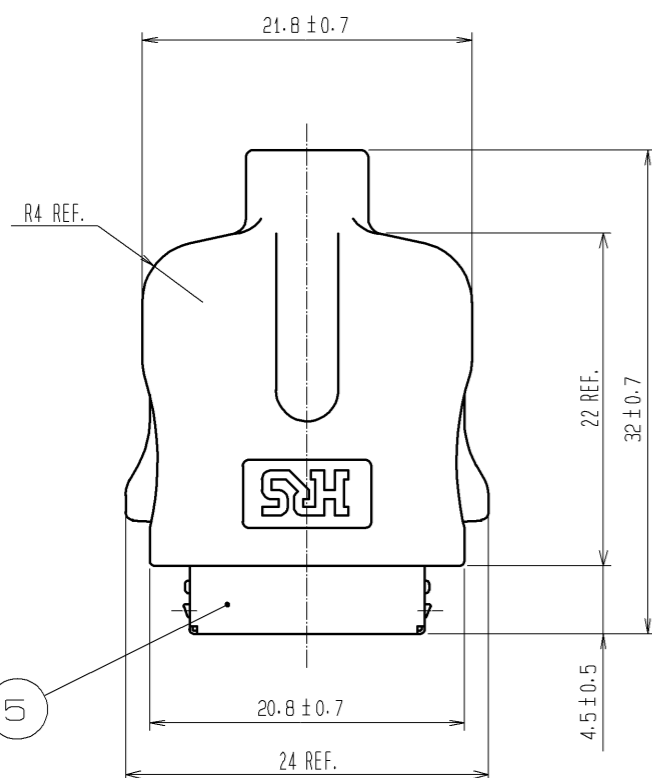
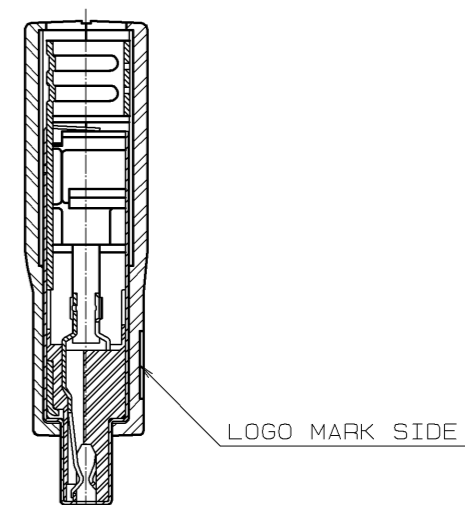
Jul.1.2019 Copyright 2019 HIROSE ELECTRIC CO., LTD. All Rights Reserved.  
In case of consideration for using Automotive equipment / device which demand high reliability, kindly contact our sales window correspondents.



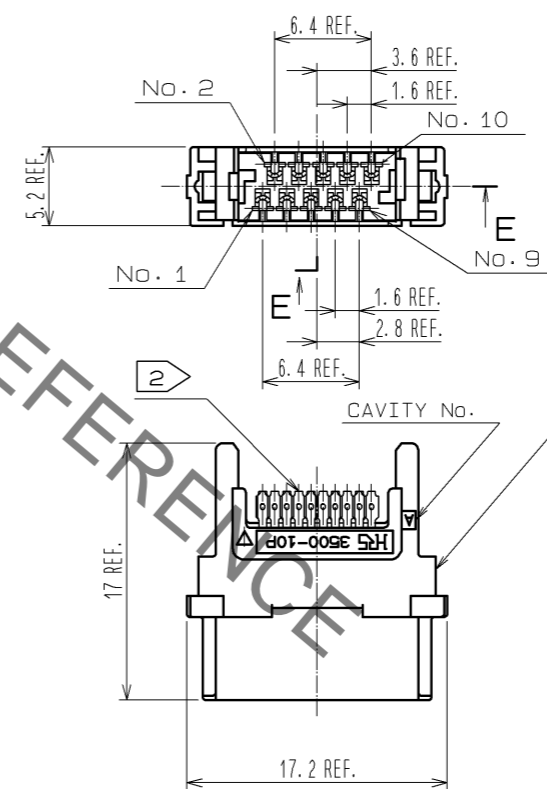
CONSTRUCTION (REFERENCE)



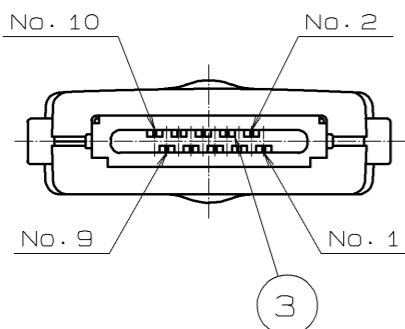
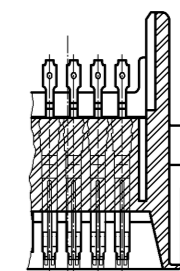
D-D (REFERENCE)



CONNECTOR UNIT



E-E



NOTES.

1. THIS PRODUCT SHALL BE IN DISASSEMBLED CONDITION (EXCEPT CONNECTOR UNIT ③, ④) WHEN DELIVERED.
- ② TERMINAL AREA SHALL BE COVERD WITH SHRINKAEGE TUBE AFTER SOLDERING.

4	POLYAMIDE	BLACK	UL94V-0	7	STEEL	BLACK	TAPPING SCREW
3	COPPER ALLOY	SELECTIVE GOLD PLATING	0.2 μm	6	STAINLESS STEEL		
2	POLYCARBONATE	BLACK	UL94V-0	5	STAINLESS STEEL		
1	POLYCARBONATE	BLACK	UL94V-0				
NO.	MATERIAL	FINISH	REMARKS	NO.	MATERIAL	FINISH	REMARKS

UNITS mm		SCALE 2 : 1	COUNT 2	DESCRIPTION OF REVISIONS DIS-E-004411	DESIGNED KG. OKITA	CHECKED TA. ASO	DATE 12.11.07
APPROVED : HO. MIWA 05.01.05				DRAWING NO. EDC3-120712-02			
CHECKED : YH. ENAMI 05.01.05				PART NO. 3540-10P-CV(50)			
DESIGNED : TU. TANIGUCHI 05.01.05				CODE NO. CL235-0010-4-50			
DRAWN : TU. TANIGUCHI 05.01.05				1/1			

# Mouser Electronics

Authorized Distributor

Click to View Pricing, Inventory, Delivery & Lifecycle Information:

[Hirose Electric:](#)

[3540-10P-CV\(50\)](#)