



RJ45 AND USB 2.0 Contacts, Tools, and Accessories



440MS134 straight environmental, direct coupling adapter for Series 801, 804 and 805 Mighty Mouse

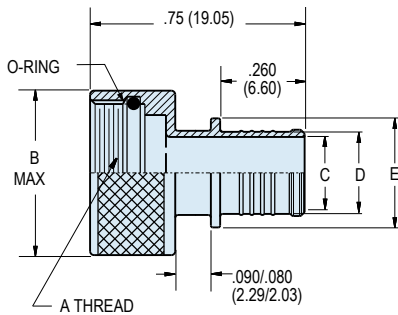


**Band-Master ATS® Band
Microband 601-061
See Page M-7**



**Add a boot or overmold
for environmental protection
(Shown without boot)**

These adapters are used with Band-Master ATS® micro band shield termination straps. Choose the smallest cable entry for your wire bundle.



STRAIGHT ENTRY
DIRECT COUPLING
440MS134

NOTES

- For use with Micro USB Mighty Mouse Series 801 and 805
- Material and Finish
 - Band: 300 Series SST
 - O-Ring: Silicone Elastomer

How To Order					
Sample Part Number	440MS134	NF	08	04	B
Series (See Table I)	440MS134 = Straight Entry				
Shell Material and Finish	M = Aluminum/Electroless Nickel NF = Aluminum/Cadmium with Olive Drab ZN = Aluminum/Zinc-Nickel with Olive Drab Chromate ZNU = Aluminum/Zinc-Nickel with Black Chromate MT = Aluminum/Nickel-PTFE Z1 = Stainless Steel/Passivated				
Adapter Size Code	08, 10, 14, 16 See Adapter Size Code and Dimensions Table				
Cable Entry Size (See Table i)	04, 05, 06, 07, 08 See Table 1 for Dimensions				
Band Option	B = 601-060 flat band supplied K = 601-061 pre-coiled band supplied Omit = no band supplied				

Adapter Size Code and Dimensions						
Adapter Size Code	Shell Size Reference		A Thread Class -2B	B Max.		Dash No.
	801/804	805		In.	mm.	
08 ¹	8	10	1/2-28 UNEF	.595	15.11	04 thru 08 See Table 1 for Dimensions
10	10	n/a	5/8-24 UNEF	.715	18.16	
14	14/15/16/17	18	15/16-20 UNEF	1.020	25.91	
16	19	21	1 1/16-18 UNEF	1.155	29.34	

Table I: Cable Entry, Band Platform Dimensions and Recommended Shrink Boot							
Dash No.	Ø C		Ø D		Ø E		Straight Shrink Boot*
	In.	mm.	In.	mm.	In.	mm.	
	± .015	± 0.38	± .015	± 0.38	± .015	± 0.38	
04	.234	5.94	.273	6.93	.375	9.53	770-003S901W2
05	.272	6.91	.311	7.90	.413	10.49	770-003S902W2
06	.312	7.92	.351	8.92	.453	11.51	770-003S902W2
07	.375	9.53	.414	10.52	.516	13.11	770-003S903W2
08	.438	11.13	.477	12.12	.579	14.17	770-003S903W2

* **Shrink Boot MUST be ordered separately.**

Shrink boot material: compound 2013 low temperature polyolefin with W2 hot melt adhesive.

Series 80 Mighty Mouse

M

Mouser Electronics

Authorized Distributor

Click to View Pricing, Inventory, Delivery & Lifecycle Information:

Glenair:

[440MS134NF0604](#) [440MS134NF0602K](#) [440MS134NF0502K](#) [440MS134M0604](#) [440MS134NF0503K](#)
[440MS134M1414K](#) [440MS134MT1411](#) [440MS134M1415B](#) [440MS134M1411](#) [440MS134M0705K](#)
[440MS134NF1409K](#) [440MS134NF0603K](#)