

Bocube Alu

Enclosure with smooth lid, light grey, hinged



BA 140806-7035

Order no.: 00113125

* = Available on request.

Characteristics

Colour of enclosure group
Light grey, similar to RAL 7035

Colour of enclosure group
Light grey

Protection class
IP 66, 68 - 1,2m (2 hours), 69

Enclosure Material

Enclosure: GD Al Si 12, seal PU foamed;

Hinges / covers: Al Mg Si 0.5 powder-coated / natural-coloured anodised

The materials correspond to requirements set R1 or R7 acc. to DIN EN 45545-2 of hazard level HL3.

Scope of delivery

enclosure incl. hinge and fixing material

Important!

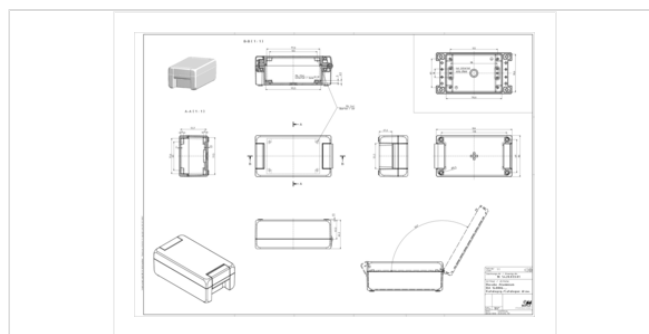
To compensate for pressure when temperatures change and cause moisture in the enclosure, we recommend that you use a pressure compensation element.

» Additional information

Dimensions

Dimensions
159 x 86 x 60 mm

Product drawing



Technical documentation / Downloads

Technical drawings

3D product data in STEP format: Registration necessary

Product drawing in PDF format: 00113125 BA-140806-70353D.pdf (1.3 MB)

Product drawing in DXF format: 00113125 BA-140806-7035.dxf (2.7 MB)

Drawing for mechanical processing: 00113125 BA-140806-7035-G.dxf (2.1 MB)

Milling contours are shown here as a DXF file. (Sub D, USB, HDMI, cable glands, ...)

Works Test Certificates

690 WPZ-Bocube-Alu DE.pdf (178.0 KB)

690 WPZ-Bocube-Alu EN.pdf (172.5 KB)

Product information

Bocube Alu GB.pdf (1.3 MB)

Assembly Instructions

Bocube-Alu BA Gehaeusemontage Enclosure Assembly 00911501.pdf (183.5 KB)

Matching accessories



Wall brackets

00500105 BA WL 08 - 7035 For BA ..08.. Light grey



Quick-release fastener

00430105 BA 08 SV-7035 For BA ..08.. Light grey
00430109 BA 08 SV-C-0 For BA ..08.. anodized



Pressure compensation membrane DAE

52011000 DAE-D11 Self-adhesive membrane ø 11 mm



Mounting panels, laminated paper, 2 mm

00603100 BA MH 1408 For BA 1408..



DIN rails DIN EN 60715 TH 15, galvanised steel

22151102 TS 15 For BA 1408.., BA 1413..



DIN rails DIN EN 60715 G 32, galvanised steel

22321102 TS 32 For BA 1408.., BA 1413..



DIN rails DIN EN 60715 TH 35, galvanised steel

22351102 TS 35

For BA 1408., BA 1413..



Screws (SHR) and distance bolts (DIBLZ) for mounting bosses in plastic enclosures

59005049 SHR Z M4x8

KD = 8



Handle set for Bocube Alu, aluminium, powder-coated, silver

00510106* BA GR 08-9006

For BA ..08..