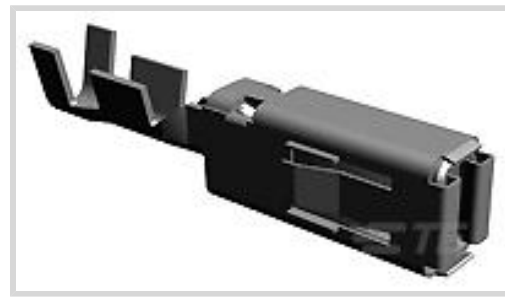




Terminals & Splices > Automotive Terminals > AMP MCP, RECEPTACLE AND TAB



Terminal & Splice Type: **Receptacle**

Mating Tab Width: **2.8 mm [.11 in]**

Mating Tab Thickness: **.8 mm [.031 in]**

Terminal Transmits: **25 – 40 A (Power)**

Wire Size: **20 – 18 AWG**

[All AMP MCP, RECEPTACLE AND TAB \(132\)](#)

Features

Product Type Features

| | |
|-------------------------------|---------------|
| Receptacle Style | 180° |
| Sealable | No |
| Primary Locking Feature | Locking Lance |
| Automotive Terminal Wire Type | Copper |

Contact Features

| | |
|---|-----------------|
| Typical Current Rating | 15 A |
| Crimp Type | F-Crimp |
| Terminal & Splice Type | Receptacle |
| Mating Tab Width | 2.8 mm [.11 in] |
| Mating Tab Thickness | .8 mm [.031 in] |
| Automotive Terminal Interface Plating | Tin (Sn) |
| Contact Termination Area Plating Material | Tin (Sn) |

Termination Features

| | |
|--|-------|
| Automotive Terminal Termination Method | Crimp |
|--|-------|

Dimensions

| | |
|------------------|---|
| Wire Size | .5 – 1 mm ² |
| Wire Size Search | .5 mm ² , .6 mm ² , .75 mm ² , .85 mm ² , 1 mm ² |



| | |
|--------------------------|-------------------------------|
| Wire Insulation Diameter | 1.3 – 2.1 mm [.051 – .083 in] |
|--------------------------|-------------------------------|

Usage Conditions

| | |
|-----------------------------|--|
| Operating Temperature (Max) | 80 °C, 85 °C, 90 °C, 100 °C, 105 °C, 110 °C, 120 °C, 125 °C, 130 °C [176 °F][185 °F][194 °F][212 °F][221 °F][230 °F][248 °F][257 °F][266 °F] |
|-----------------------------|--|

| | |
|-----------------------------|-----------------------------|
| Operating Temperature Range | -40 – 130 °C [-40 – 266 °F] |
|-----------------------------|-----------------------------|

Industry Standards

| | |
|-----------------|-------|
| Agency/Standard | LV214 |
|-----------------|-------|

Packaging Features

| | |
|------------------|------|
| Packaging Method | Reel |
|------------------|------|

| | |
|--------------------|------|
| Packaging Quantity | 4500 |
|--------------------|------|

Other

| | |
|--------------------|-------------------|
| Terminal Transmits | 25 – 40 A (Power) |
|--------------------|-------------------|

Product Compliance

[For compliance documentation, visit the product page on TE.com>](#)

| | |
|------------------------------|-----------|
| EU RoHS Directive 2011/65/EU | Compliant |
|------------------------------|-----------|

| | |
|-----------------------------|-----------|
| EU ELV Directive 2000/53/EC | Compliant |
|-----------------------------|-----------|

| | |
|---|---|
| China RoHS 2 Directive MIIT Order No 32, 2016 | No Restricted Materials Above Threshold |
|---|---|

| | |
|--|---|
| EU REACH Regulation (EC) No. 1907/2006 | Current ECHA Candidate List: JUN 2020 (209) Candidate List Declared Against: JUN 2020 (209) Does not contain REACH SVHC |
|--|---|

| | |
|-----------------|---|
| Halogen Content | Low Halogen - Br, Cl, F, I < 900 ppm per homogenous material. Also BFR/CFR/PVC Free |
|-----------------|---|

| | |
|---------------------------|--|
| Solder Process Capability | Not applicable for solder process capability |
|---------------------------|--|

Product Compliance Disclaimer

This information is provided based on reasonable inquiry of our suppliers and represents our current actual knowledge based on the information they provided. This information is subject to change. The part numbers that TE has identified as EU RoHS compliant have a maximum concentration of 0.1% by weight in homogenous materials for lead, hexavalent chromium, mercury, PBB, PBDE, DBP, BBP, DEHP, DIBP, and 0.01% for cadmium, or qualify for an exemption to these limits as defined in the Annexes of Directive 2011/65/EU (RoHS2). Finished electrical and electronic equipment products will be CE marked as required by Directive 2011/65/EU. Components may not be CE marked. Additionally, the part numbers that TE has identified as EU ELV compliant have a maximum concentration of 0.1% by weight in homogenous materials for lead, hexavalent chromium, and mercury, and 0.01% for cadmium, or qualify for an exemption to these limits as defined in the Annexes of Directive 2000/53/EC (ELV). Regarding the REACH Regulation, the information TE provides on SVHC in articles for this part number is based on the latest European Chemicals Agency (ECHA) 'Guidance on

requirements for substances in articles' posted at this URL: <https://echa.europa.eu/guidance-documents/guidance-on-reach>

Compatible Parts



TE Model / Part # CAT-AM705-CH8173
AMP MCP, UN-SEALED CONNECTOR HOUSING



TE Model / Part # 2305570-1
TERMINAL CUTTER, SIDE FEED



TE Model / Part # CAT-AM705-CH8172
AMP MCP, SEALED CONNECTOR HOUSING



TE Model / Part # CAT-M9194-CH8172
MULTILOCK, CONNECTOR HOUSING



TE Model / Part # CAT-T319-CH8172
TH/.025 CONNECTOR SYSTEM, HOUSING



TE Model / Part # CAT-M8793-CH8172
MQS, CONNECTOR HOUSING



TE Model / Part # CAT-A11-CH8172
1.5/2.8 CONNECTOR SYSTEM, HOUSING



TE Model / Part # CAT-M4595-CH8172
MCON, CONNECTOR HOUSING




TE Model / Part # CAT-AC853-T273
PRESS FIT PIN TERMINALS



TE Model / Part # 2151164-1
OCEAN_2.0_APPLICATOR-S-080F100OV



TE Model / Part # 2151164-2
OCEAN_2.0_APPLICATOR-S-080F100OV



TE Model / Part # 7-2151164-7
OCEAN_2.0_SPARE_PART_KIT-080F100OV



TE Model / Part # 1-2322190-1
18POS,AMP MCP 2.8,REC HSG ASSY, COD A



TE Model / Part # 2209893-1
BCM 14P MCP2.8 SOCKET



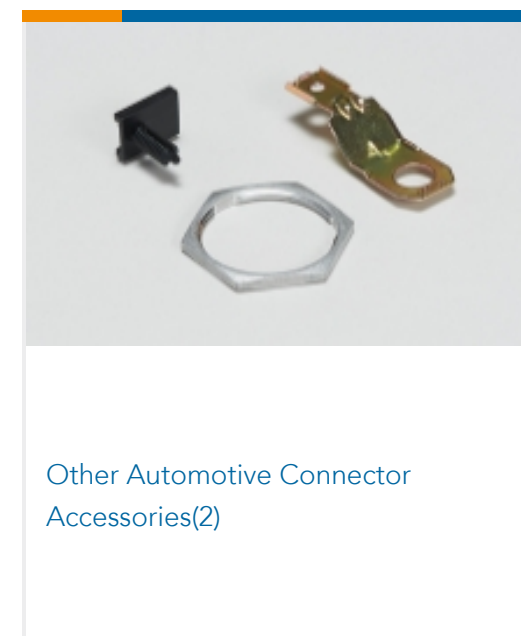
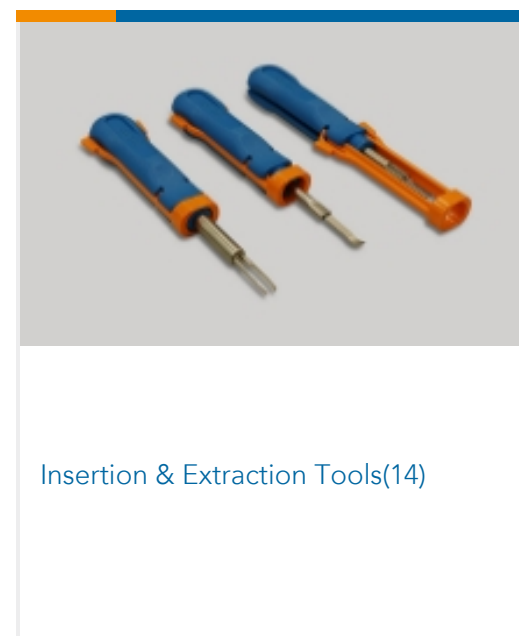
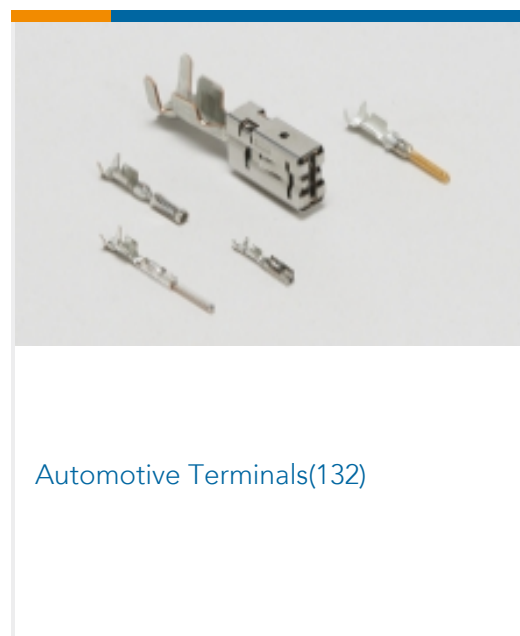
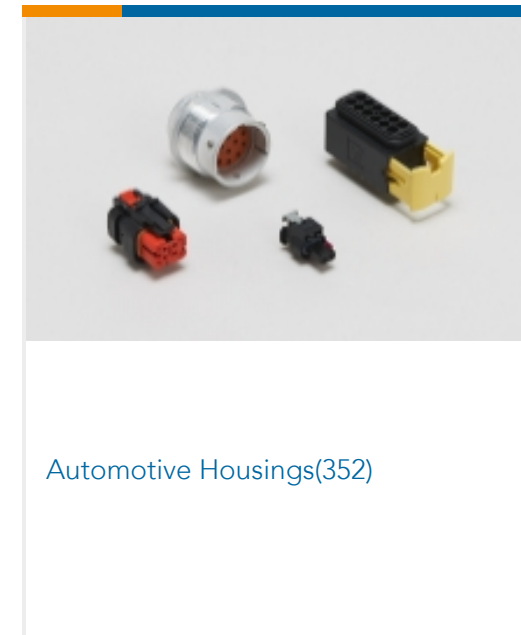
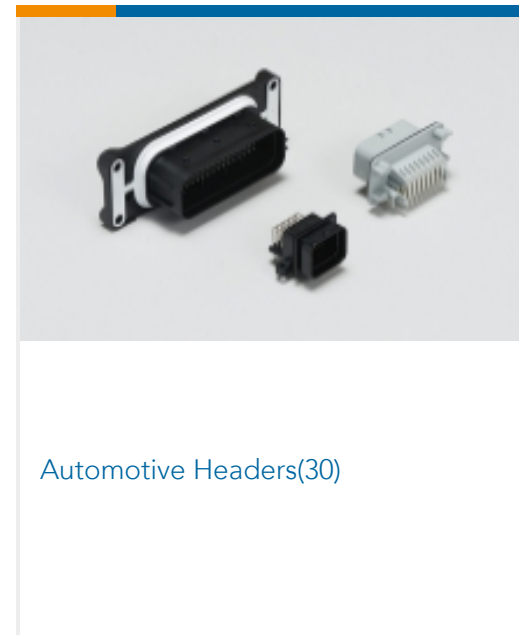
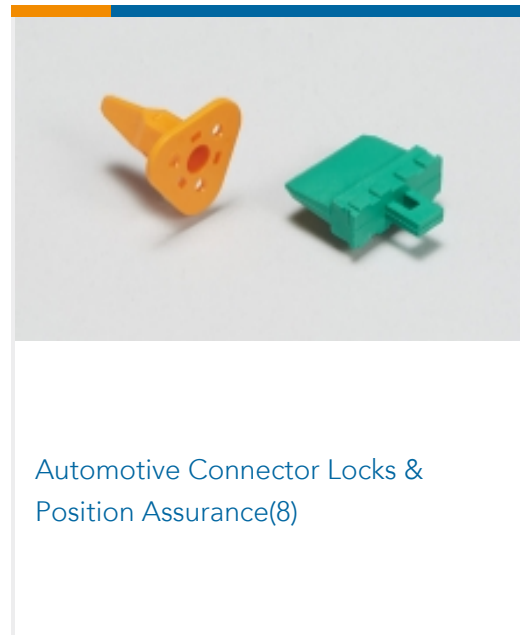
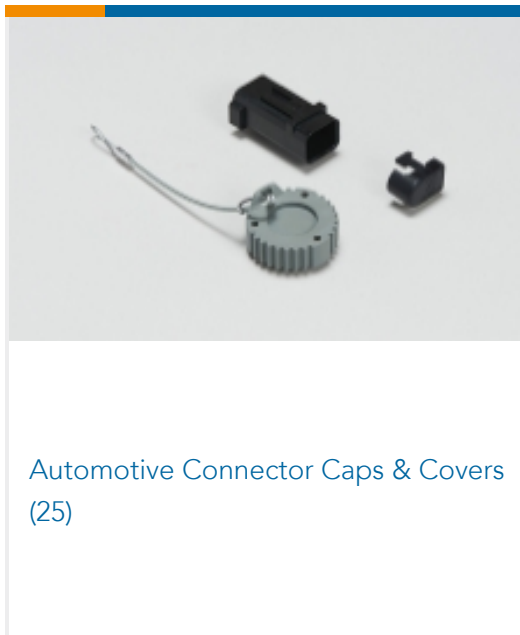
TE Model / Part # 1801567-1
MINIFUSE HOLDER, 8 POS, MCP CONTACT



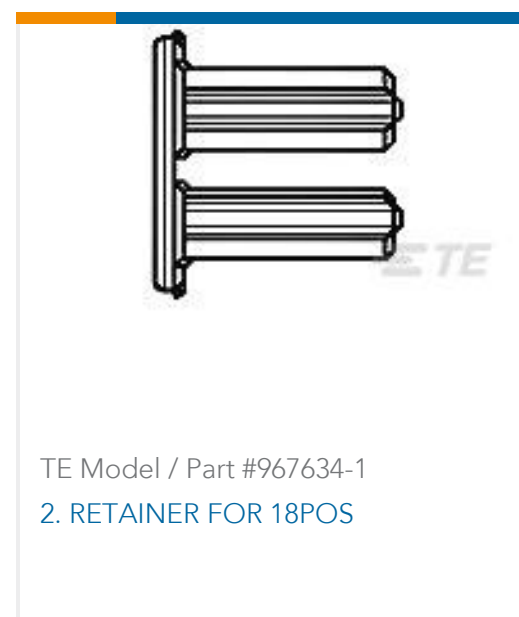
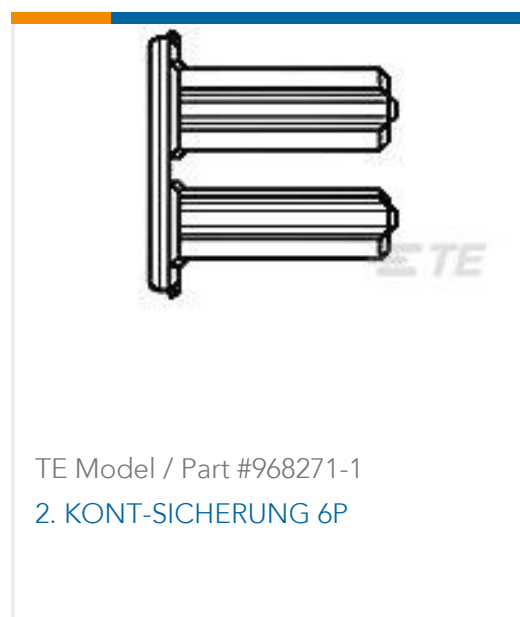
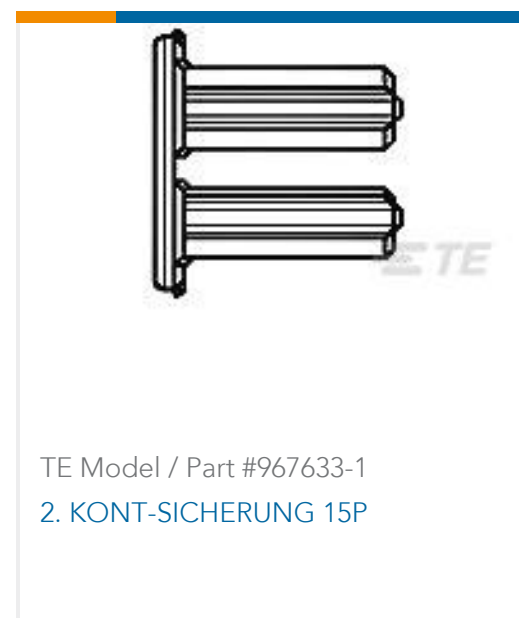
TE Model / Part # 2-2151164-1
OCEAN_2.0_APPLICATOR-S-080F100OV



Also in the Series | AMP MCP Connector System



Customers Also Bought





Documents

Product Drawings

[AMP MCP 2.8, CONTACT](#)

English

[AMP MCP 2.8, CONTACT](#)

English

CAD Files

Customer View Model

[ENG_CVM_1-968849-1_J3.3d_igs.zip](#)

English

Customer View Model

[ENG_CVM_1-968849-1_J3.3d_stp.zip](#)

English

Customer View Model

[ENG_CVM_1-968849-1_J3.2d_dxf.zip](#)

English

3D PDF

English

By downloading the CAD file I accept and agree to the [Terms and Conditions](#) of use.

Product Specifications

[Application Specification](#)

German

[Application Specification](#)

English

Product Environmental Compliance

[MD_1-968849-1_1008201606_dmtec](#)

English

[MD_1-968849-1_1008201606_dmtec](#)

English

Instruction Sheets

[UNSEALED GET/MCP 81/40 SLIDER LEVER TYPE CONNECTOR](#)

Japanese

[Instruction Sheet \(non U.S.\)](#)

Japanese