

# S1JA Microcontroller Group

Datasheet

## Renesas Synergy™ Platform

Synergy Microcontrollers

S1 Series

All information contained in these materials, including products and product specifications, represents information on the product at the time of publication and is subject to change by Renesas Electronics Corp. without notice. Please review the latest information published by Renesas Electronics Corp. through various means, including the Renesas Electronics Corp. website (<http://www.renesas.com>).

Ultra-low power 48-MHz Arm® Cortex®-M23 core, up to 256-KB code flash memory, 32-KB SRAM, Capacitive Touch Sensing Unit, 16-bit A/D Converter, 24-bit sigma-delta A/D Converter, 12-bit D/A Converter, 8-bit D/A Converter, Operational Amplifier, security and safety features.

## Features

### ■ Arm Cortex-M23 Core

- Armv8-M architecture
- Maximum operating frequency: 48 MHz
- Arm Memory Protection Unit (Arm MPU) with 8 regions
- Debug and Trace: DWT, FPB, and CoreSight™ MTB-M23
- CoreSight Debug Port: SW-DP

### ■ Memory

- Up to 256-KB code flash memory
- 8-KB data flash memory (100,000 program/erase (P/E) cycles)
- Up to 32-KB SRAM
- Flash Cache (FCACHE)
- Memory Protection Unit (MPU)
- Memory Mirror Function (MMF)
- 128-bit unique ID

### ■ Connectivity

- USB 2.0 Full-Speed (USBFS) module
  - On-chip transceiver with voltage regulator
  - Compliant with USB Battery Charging Specification 1.2
- Serial Communications Interface (SCI) × 3
  - UART
  - Simple IIC
  - Simple SPI
- Serial Peripheral Interface (SPI) × 2
- I<sup>2</sup>C bus interface (IIC) × 2
- Controller Area Network (CAN) module

### ■ Analog

- 16-bit A/D Converter (ADC16)
  - 1.2 Msps
  - Differential input mode
  - Single-ended input mode
- 24-bit Sigma-Delta A/D Converter (SDADC24)
  - 15.6 ksp/s
  - Differential input mode
  - Single-ended input mode
- 12-bit D/A Converter (DAC12)
- 8-bit D/A Converter (DAC8) × 2
- High-Speed Analog Comparator (ACMPHS)
- Low-Power Analog Comparator (ACMPLP) × 2
- Operational Amplifier (OPAMP) × 3
- Temperature Sensor (TSN)

### ■ Timers

- General PWM Timer 32-bit (GPT32)
- General PWM Timer 16-bit (GPT16) × 6
- Asynchronous General-Purpose Timer (AGT) × 2
- Watchdog Timer (WDT)

### ■ Safety

- Error Correction Code (ECC) in SRAM
- SRAM parity error check
- Flash area protection
- ADC self-diagnosis function
- Clock Frequency Accuracy Measurement Circuit (CAC)
- Cyclic Redundancy Check (CRC) calculator
- Data Operation Circuit (DOC)
- Port Output Enable for GPT (POEG)
- Independent Watchdog Timer (IWDT)
- GPIO readback level detection
- Register write protection
- Main oscillator stop detection
- Illegal memory access

### ■ System and Power Management

- Low power modes
- Realtime Clock (RTC)
- Event Link Controller (ELC)
- Data Transfer Controller (DTC)
- Key Interrupt Function (KINT)
- Power-on reset
- Low Voltage Detection (LVD) with voltage settings

### ■ Security and Encryption

- AES128/256
- True Random Number Generator (TRNG)

### ■ Human Machine Interface (HMI)

- Capacitive Touch Sensing Unit (CTSUS)

### ■ Multiple Clock Sources

- Main clock oscillator (MOSC)
  - (1 to 20 MHz when VCC = 2.4 to 5.5 V)
  - (1 to 8 MHz when VCC = 1.8 to 5.5 V)
  - (1 to 4 MHz when VCC = 1.6 to 5.5 V)
- Sub-clock oscillator (SOSC) (32.768 kHz)
- High-speed on-chip oscillator (HOCO)
  - (24, 32, 48, 64 MHz when VCC = 2.4 to 5.5 V)
  - (24, 32, 48 MHz when VCC = 1.8 to 5.5 V)
  - (24, 32 MHz when VCC = 1.6 to 5.5 V)
- Middle-speed on-chip oscillator (MOCO) (8 MHz)
- Low-speed on-chip oscillator (LOCO) (32.768 kHz)
- IWDT-dedicated on-chip oscillator (15 kHz)
- Clock trim function for HOCO/MOCO/LOCO
- Clock out support

### ■ General Purpose I/O Ports

- Up to 49 input/output pins
  - Up to 3 CMOS input
  - Up to 46 CMOS input/output
  - Up to 9 input/output 5 V tolerant
  - Up to 3 high current (20 mA)

### ■ Operating Voltage

- VCC: 1.6 to 5.5 V

### ■ Operating Temperature and Packages

- Ta = -40°C to +85°C
  - 36-pin BGA (5 mm × 5 mm, 0.8 mm pitch)
- Ta = -40°C to +105°C
  - 64-pin LQFP (10 mm × 10 mm, 0.5 mm pitch)
  - 32-pin LQFP (7 mm × 7 mm, 0.8 mm pitch)
  - 48-pin QFN (7 mm × 7 mm, 0.5 mm pitch)
  - 40-pin QFN (6 mm × 6 mm, 0.5 mm pitch)

## 1. Overview

The MCU integrates multiple series of software- and pin-compatible Arm®-based 32-bit cores that share a common set of Renesas peripherals to facilitate design scalability and efficient platform-based product development.

The MCU in this series incorporates an energy-efficient Arm Cortex®-M23 32-bit core that is particularly well suited for cost-sensitive and low-power applications, with the following features:

- Up to 256-KB code flash memory
- 32-KB SRAM
- 16-bit A/D Converter (ADC16)
- 24-bit Sigma-Delta A/D Converter (SDADC24)
- 12-bit D/A Converter (DAC12)
- 8-bit D/A Converter (DAC8)
- Operational Amplifier (OPAMP) with configurable switches
- Security features.

### 1.1 Function Outline

**Table 1.1 Arm core**

Feature	Functional description
Arm Cortex-M23 core	<ul style="list-style-type: none"> <li>• Maximum operating frequency: up to 48 MHz</li> <li>• Arm Cortex-M23 core:               <ul style="list-style-type: none"> <li>- Revision: r1p0-00rel0</li> <li>- Armv8-M architecture profile</li> <li>- Single-cycle integer multiplier</li> <li>- 17-cycle integer divider.</li> </ul> </li> <li>• Arm Memory Protection Unit (Arm MPU):               <ul style="list-style-type: none"> <li>- Armv8 Protected Memory System Architecture</li> <li>- 8 protect regions.</li> </ul> </li> <li>• SysTick timer:               <ul style="list-style-type: none"> <li>- Driven by SYSTICCLK (LOCO) or ICLK.</li> </ul> </li> </ul>

**Table 1.2 Memory**

Feature	Functional description
Code flash memory	256 KB of code flash memory. See section 43, Flash Memory in User's Manual.
Data flash memory	8 KB of data flash memory. See section 43, Flash Memory in User's Manual.
Memory Mirror Function (MMF)	The Memory Mirror Function (MMF) can be configured to mirror the desired application image load address in code flash memory to the application image link address in the 23-bit unused memory space (memory mirror space addresses). Your application code is developed and linked to run from this MMF destination address. Your application code does not need to know the load location where it is stored in code flash memory. See section 5, Memory Mirror Function (MMF) in User's Manual.
Option-setting memory	The option-setting memory determines the state of the MCU after a reset. See section 7, Option-Setting Memory in User's Manual.
SRAM	On-chip high-speed SRAM with either parity bit or Error Correction Code (ECC). See section 42, SRAM in User's Manual.

**Table 1.3 System (1 of 2)**

Feature	Functional description
Operating modes	Two operating modes: <ul style="list-style-type: none"> <li>• Single-chip mode</li> <li>• SCI or USB boot mode.</li> </ul> See section 3, Operating Modes in User's Manual.

**Table 1.3 System (2 of 2)**

Feature	Functional description
Resets	<p>13 resets:</p> <ul style="list-style-type: none"> <li>• RES pin reset</li> <li>• Power-on reset</li> <li>• Independent watchdog timer reset</li> <li>• Watchdog timer reset</li> <li>• Voltage monitor 0 reset</li> <li>• Voltage monitor 1 reset</li> <li>• Voltage monitor 2 reset</li> <li>• SRAM parity error reset</li> <li>• SRAM ECC error reset</li> <li>• Bus master MPU error reset</li> <li>• Bus slave MPU error reset</li> <li>• CPU stack pointer error reset</li> <li>• Software reset.</li> </ul> <p>See section 6, Resets in User's Manual.</p>
Low Voltage Detection (LVD)	<p>The Low Voltage Detection (LVD) function monitors the voltage level input to the VCC pin and the detection level can be selected using a software program. See section 8, Low Voltage Detection (LVD) in User's Manual.</p>
Clocks	<ul style="list-style-type: none"> <li>• Main clock oscillator (MOSC)</li> <li>• Sub-clock oscillator (SOSC)</li> <li>• High-speed on-chip oscillator (HOCO)</li> <li>• Middle-speed on-chip oscillator (MOCO)</li> <li>• Low-speed on-chip oscillator (LOCO)</li> <li>• IWDG-dedicated on-chip oscillator</li> <li>• Clock out support.</li> </ul> <p>See section 9, Clock Generation Circuit in User's Manual.</p>
Clock Frequency Accuracy Measurement Circuit (CAC)	<p>The Clock Frequency Accuracy Measurement Circuit (CAC) counts pulses of the clock to be measured (measurement target clock) within the time generated by the clock to be used as a measurement reference (measurement reference clock), and determines the accuracy depending on whether the number of pulses is within the allowable range.</p> <p>When measurement is complete or the number of pulses within the time generated by the measurement reference clock is not within the allowable range, an interrupt request is generated. See section 10, Clock Frequency Accuracy Measurement Circuit (CAC) in User's Manual.</p>
Interrupt Controller Unit (ICU)	<p>The Interrupt Controller Unit (ICU) controls which event signals are linked to the NVIC/DTC module. The ICU also controls NMI interrupts. See section 13, Interrupt Controller Unit (ICU) in User's Manual.</p>
Key Interrupt Function (KINT)	<p>A key interrupt can be generated by setting the Key Return Mode Register (KRM) and inputting a rising or falling edge to the key interrupt input pins. See section 19, Key Interrupt Function (KINT) in User's Manual.</p>
Low power modes	<p>Power consumption can be reduced in multiple ways, such as by setting clock dividers, stopping modules, selecting power control mode in normal operation, and transitioning to low power modes. See section 11, Low Power Modes in User's Manual.</p>
Register write protection	<p>The register write protection function protects important registers from being overwritten due to software errors. See section 12, Register Write Protection in User's Manual.</p>
Memory Protection Unit (MPU)	<p>Four Memory Protection Units (MPUs) and a CPU stack pointer monitor function are provided for memory protection. See section 15, Memory Protection Unit (MPU) in User's Manual.</p>
Watchdog Timer (WDT)	<p>The Watchdog Timer (WDT) is a 14-bit down-counter that can be used to reset the MCU when the counter underflows because the system has run out of control and is unable to refresh the WDT. In addition, a non-maskable interrupt or interrupt can be generated by an underflow. A refresh-permitted period can be set to refresh the counter and used as the condition to detect when the system runs out of control. See section 24, Watchdog Timer (WDT) in User's Manual.</p>
Independent Watchdog Timer (IWDG)	<p>The Independent Watchdog Timer (IWDG) consists of a 14-bit down-counter that must be serviced periodically to prevent counter underflow. The IWDG provides functionality to reset the MCU or to generate a non-maskable interrupt/interrupt for a timer underflow. Because the timer operates with an independent, dedicated clock source, it is particularly useful in returning the MCU to a known state as a fail-safe mechanism when the system runs out of control. The IWDG can be triggered automatically on a reset, underflow, refresh error, or by a refresh of the count value in the registers. See section 25, Independent Watchdog Timer (IWDG) in User's Manual.</p>

**Table 1.4 Event Link**

Feature	Functional description
Event Link Controller (ELC)	The Event Link Controller (ELC) uses the interrupt requests generated by various peripheral modules as event signals to connect them to different modules, enabling direct interaction between the modules without CPU intervention. See section 17, Event Link Controller (ELC) in User's Manual.

**Table 1.5 Direct memory access**

Feature	Functional description
Data Transfer Controller (DTC)	A Data Transfer Controller (DTC) module is provided for transferring data when activated by an interrupt request. See section 16, Data Transfer Controller (DTC) in User's Manual.

**Table 1.6 Timers**

Feature	Functional description
General PWM Timer (GPT)	The General PWM Timer (GPT) is a 32-bit timer with one channel and a 16-bit timer with six channels. PWM waveforms can be generated by controlling the up-counter, down-counter, or the up- and down-counter. In addition, PWM waveforms can be generated for controlling brushless DC motors. The GPT can also be used as a general-purpose timer. See section 21, General PWM Timer (GPT) in User's Manual.
Port Output Enable for GPT (POEG)	Use the Port Output Enable for GPT (POEG) function to place the General PWM Timer (GPT) output pins in the output disable state. See section 20, Port Output Enable for GPT (POEG) in User's Manual.
Asynchronous General Purpose Timer (AGT)	The Asynchronous General Purpose Timer (AGT) is a 16-bit timer that can be used for pulse output, external pulse width or period measurement, and counting external events. This 16-bit timer consists of a reload register and a down-counter. The reload register and the down-counter are allocated to the same address, and they can be accessed with the AGT register. See section 22, Asynchronous General Purpose Timer (AGT) in User's Manual.
Realtime Clock (RTC)	The Realtime Clock (RTC) has two counting modes, calendar count mode and binary count mode, that are controlled by the register settings. For calendar count mode, the RTC has a 100-year calendar from 2000 to 2099 and automatically adjusts dates for leap years. For binary count mode, the RTC counts seconds and retains the information as a serial value. Binary count mode can be used for calendars other than the Gregorian (Western) calendar. See section 23, Realtime Clock (RTC) in User's Manual.

**Table 1.7 Communication interfaces (1 of 2)**

Feature	Functional description
Serial Communications Interface (SCI)	The Serial Communication Interface (SCI) is configurable to five asynchronous and synchronous serial interfaces: <ul style="list-style-type: none"> <li>Asynchronous interfaces (UART and asynchronous communications interface adapter (ACIA))</li> <li>8-bit clock synchronous interface</li> <li>Simple IIC (master-only)</li> <li>Simple SPI</li> <li>Smart card interface.</li> </ul> The smart card interface complies with the ISO/IEC 7816-3 standard for electronic signals and transmission protocol. SCI0 has FIFO buffers to enable continuous and full-duplex communication, and the data transfer speed can be configured independently using an on-chip baud rate generator. See section 27, Serial Communications Interface (SCI).
I <sup>2</sup> C bus interface (IIC)	The 2-channel I <sup>2</sup> C bus interface (IIC) conforms with and provides a subset of the NXP I <sup>2</sup> C (Inter-Integrated Circuit) bus interface functions. See section 28, I <sup>2</sup> C Bus Interface (IIC) in User's Manual.

**Table 1.7 Communication interfaces (2 of 2)**

Feature	Functional description
Serial Peripheral Interface (SPI)	Two independent Serial Peripheral Interface (SPI) channels are capable of high-speed, full-duplex synchronous serial communications with multiple processors and peripheral devices. See section 30, Serial Peripheral Interface (SPI).
Controller Area Network (CAN) module	The Controller Area Network (CAN) module provides functionality to receive and transmit data using a message-based protocol between multiple slaves and masters in electromagnetically noisy applications. The CAN module complies with the ISO 11898-1 (CAN 2.0A/CAN 2.0B) standard and supports up to 32 mailboxes, which can be configured for transmission or reception in normal mailbox and FIFO modes. Both standard (11-bit) and extended (29-bit) messaging formats are supported. See section 29, Controller Area Network (CAN) Module in User's Manual.
USB 2.0 Full-Speed (USBFS) module	The USB 2.0 Full-Speed (USBFS) module can operate as a host controller or device controller. The module supports full-speed and low-speed transfer as defined in the Universal Serial Bus Specification 2.0. The module has an internal USB transceiver and supports all of the transfer types defined in the Universal Serial Bus Specification 2.0. The USB has buffer memory for data transfer, providing a maximum of five pipes. Pipe 0 and pipe 4 to pipe 7 can be assigned any endpoint number based on the peripheral devices used for communication or based on your system. The MCU supports Battery Charging Specification revision 1.2. Because the MCU can be powered at 5 V, the USB LDO regulator provides the internal USB transceiver power supply 3.3 V. See section 26, USB 2.0 Full-Speed Module (USBFS) in User's Manual.

**Table 1.8 Analog (1 of 2)**

Feature	Functional description
16-bit A/D Converter (ADC16)	A successive approximation 16-bit A/D Converter (ADC16) is provided. Up to 17 single-ended/4 differential analog input channels are selectable. Reference voltage of SDADC24, temperature sensor output, and internal reference voltage are selectable for conversion. The calibration function calculates capacitor array DAC and gain/offset correction values under the usage conditions to enable accurate A/D conversion. See section 32, 16-Bit A/D Converter (ADC16) in User's Manual.
24-bit Sigma-Delta A/D Converter (SDADC24)	A 24-bit Sigma-Delta A/D Converter (SDADC24) with a programmable gain instrumentation amplifier is provided. Up to 10 single-ended/5 differential analog input channels are selectable. The 2 single-ended/1 differential analog input channels of these analog input channels are inputs from internal OPAMP. Analog input multiplexer is input to the sigma-delta A/D converter by the programmable gain instrumentation amplifier (PGA). The A/D conversion result is filtered by the SINC3 digital filter, and then stored in an output register. The calibration function calculates gain error and offset error correction values under the usage conditions to enable accurate A/D conversion. See section 33, 24-Bit Sigma-Delta A/D Converter (SDADC24) in User's Manual.
12-bit D/A Converter (DAC12)	A 12-bit D/A Converter (DAC12) is provided. See section 34, 12-Bit D/A Converter (DAC12) in User's Manual.
8-bit D/A Converter (DAC8)	An 8-bit D/A Converter (DAC8) is provided. See section 35, 8-Bit D/A Converter (DAC8) in User's Manual.
Temperature Sensor (TSN)	The on-chip Temperature Sensor (TSN) determines and monitors the die temperature for reliable operation of the device. The sensor outputs a voltage directly proportional to the die temperature, and the relationship between the die temperature and the output voltage is linear. The output voltage is provided to the ADC16 for conversion and can be further used by the end application. See section 36, Temperature Sensor (TSN) in User's Manual.
High-Speed Analog Comparator (ACMPHS)	The High-Speed Analog Comparator (ACMPHS) compares a reference voltage with an analog input voltage. The comparison result can be read by software and also be output externally. The reference voltage can be selected from either an input to the IVREFi (i = 0 to 2) pin, an output from internal D/A converter, or from the internal reference voltage (Vref) generated internally in the MCU. Such flexibility is useful in applications that require go/no-go comparisons to be performed between analog signals without necessarily requiring A/D conversion. See section 38, High-Speed Analog Comparator (ACMPHS) in User's Manual.

**Table 1.8 Analog (2 of 2)**

Feature	Functional description
Low-Power Analog Comparator (ACMPLP)	The Low-Power Analog Comparator (ACMPLP) compares a reference voltage with an analog input voltage. The comparison result can be read by software and also be output externally. The reference voltage can be selected from either an input to the CMPREFi (i = 0, 1) pin, an internal 8-bit D/A converter output, or the internal reference voltage (Vref) generated internally in the MCU. The ACMPLP response speed can be set before starting an operation. Setting high-speed mode decreases the response delay time, but increases current consumption. Setting low-speed mode increases the response delay time, but decreases current consumption. See section 39, Low-Power Analog Comparator (ACMPLP) in User's Manual.
Operational Amplifier (OPAMP)	The Operational Amplifier (OPAMP) can be used to amplify small analog input voltages and output the amplified voltages. A total of three differential operational amplifier units with two input pins and one output pin are provided. All units have switches that can select input signals. Additionally, operational amplifier 0 has a switch that can select the output pin. See section 37, Operational Amplifier (OPAMP) in User's Manual.

**Table 1.9 Human machine interfaces**

Feature	Functional description
Capacitive Touch Sensing Unit (CTSU)	The Capacitive Touch Sensing Unit (CTSU) measures the electrostatic capacitance of the touch sensor. Changes in the electrostatic capacitance are determined by software, which enables the CTSU to detect whether a finger is in contact with the touch sensor. The electrode surface of the touch sensor is usually enclosed with an electrical insulator so that fingers do not come into direct contact with the electrodes. See section 40, Capacitive Touch Sensing Unit (CTSU) in User's Manual.

**Table 1.10 Data processing**

Feature	Functional description
Cyclic Redundancy Check (CRC) calculator	The Cyclic Redundancy Check (CRC) calculator generates CRC codes to detect errors in the data. The bit order of CRC calculation results can be switched for LSB-first or MSB-first communication. Additionally, various CRC-generating polynomials are available. The snoop function allows monitoring reads from and writes to specific addresses. This function is useful in applications that require CRC code to be generated automatically in certain events, such as monitoring writes to the serial transmit buffer and reads from the serial receive buffer. See section 31, Cyclic Redundancy Check (CRC) Calculator in User's Manual.
Data Operation Circuit (DOC)	The Data Operation Circuit (DOC) compares, adds, and subtracts 16-bit data. See section 41, Data Operation Circuit (DOC) in User's Manual.

**Table 1.11 Security**

Feature	Functional description
AES	See section 44, AES Engine in User's Manual
True Random Number Generator (TRNG)	See section 45, True Random Number Generator (TRNG) in User's Manual

## 1.2 Block Diagram

Figure 1.1 shows a block diagram of the MCU superset, some individual devices within the group have a subset of the features.

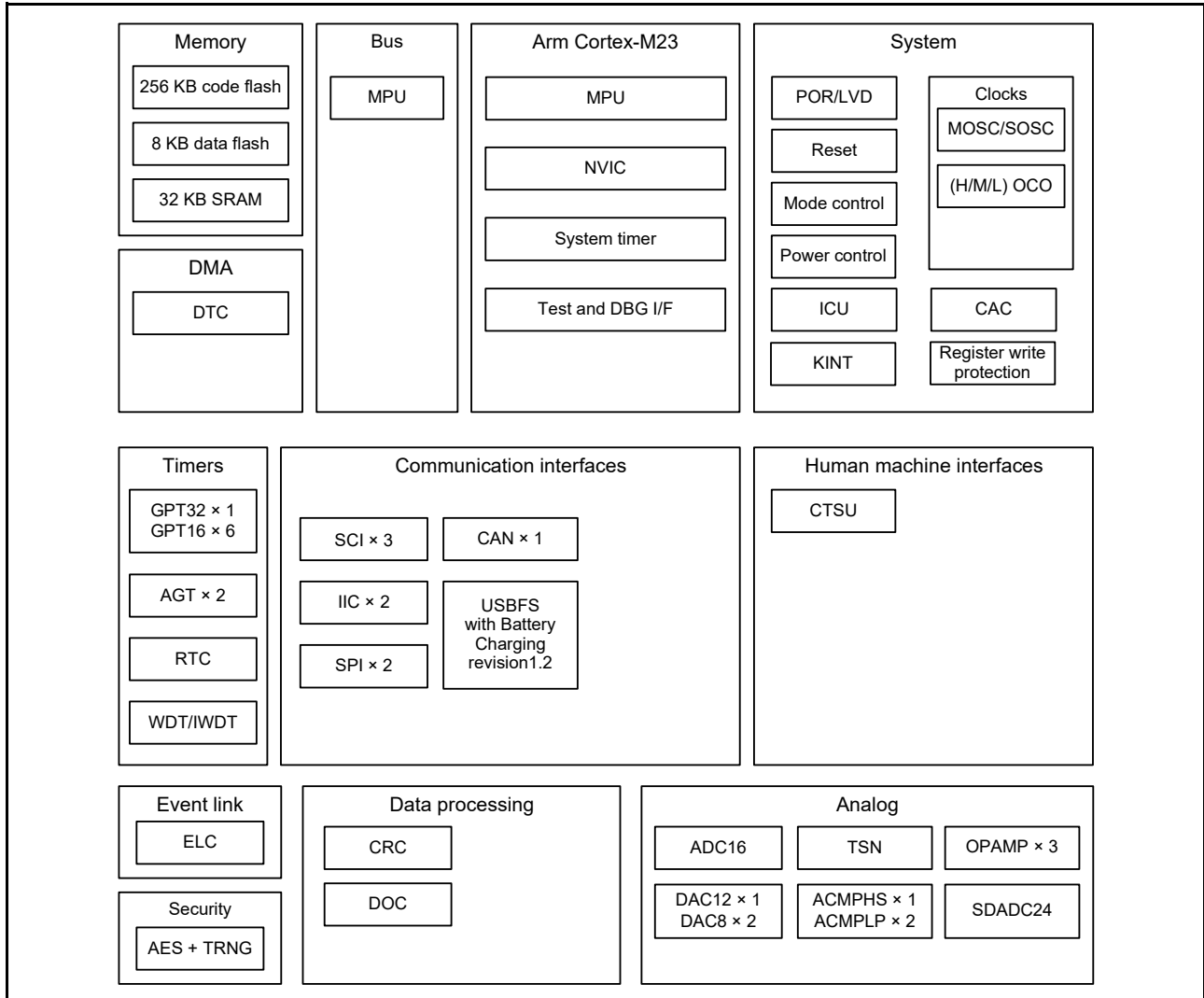


Figure 1.1 Block diagram



### 1.3 Part Numbering

Figure 1.2 shows the product part number information, including memory capacity and package type. Table 1.12 shows a list of products.

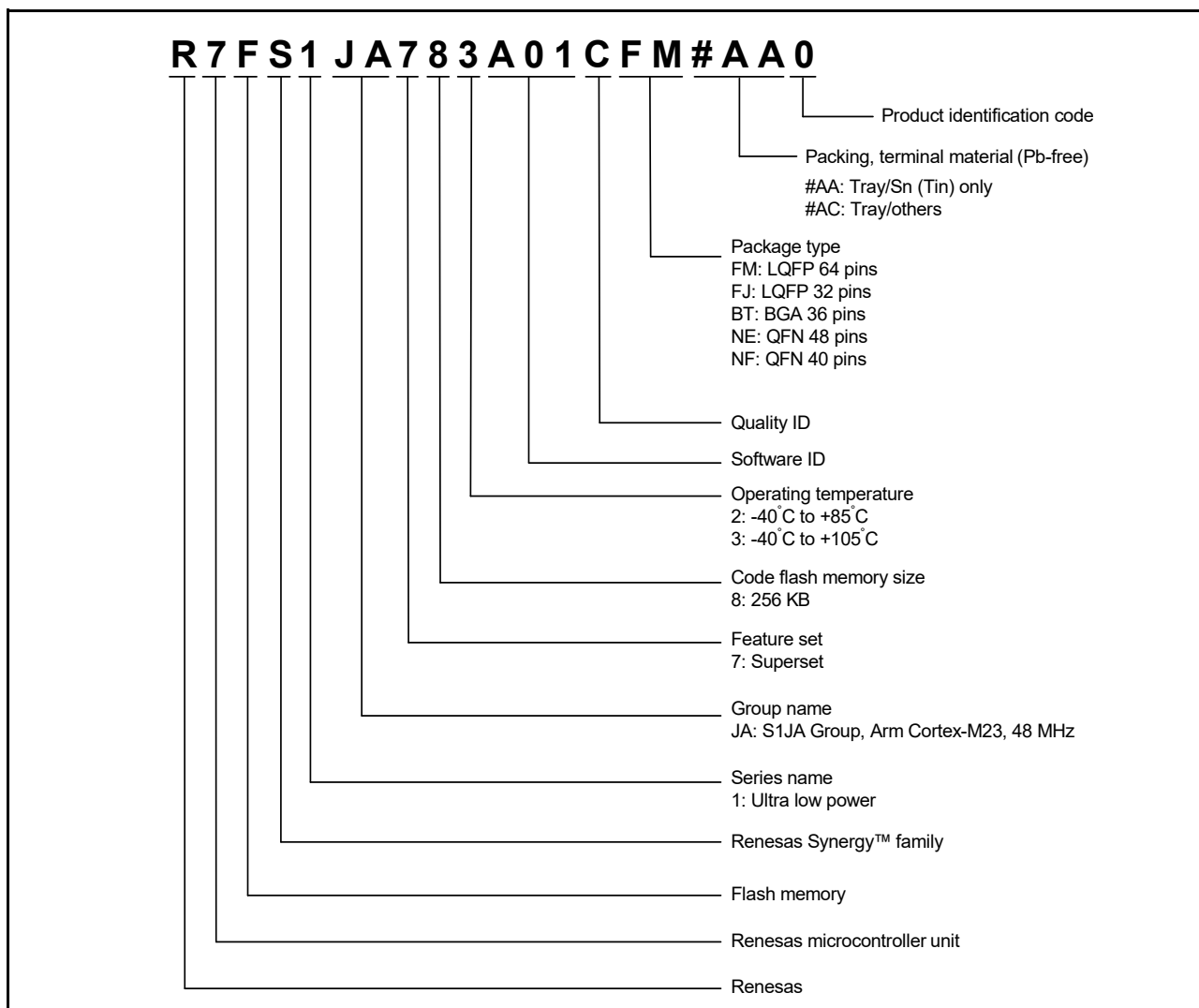


Figure 1.2 Part numbering scheme

Table 1.12 Product list

Product part number	Orderable part number	Package code	Code flash	Data flash	SRAM	Operating temperature
R7FS1JA783A01CFM	R7FS1JA783A01CFM#AA0	PLQP0064KB-C	256 KB	8 KB	32 KB	-40 to +105°C
R7FS1JA783A01CNE	R7FS1JA783A01CNE#AC0	PWQN0048KB-A				-40 to +105°C
R7FS1JA783A01CNF	R7FS1JA783A01CNF#AC0	PWQN0040KC-A				-40 to +105°C
R7FS1JA782A01CBT	R7FS1JA782A01CBT#AC0	PLBG0036GA-A				-40 to +85°C
R7FS1JA783A01CFJ	R7FS1JA783A01CFJ#AA0	PLQP0032GB-A				-40 to +105°C

## 1.4 Function Comparison

Table 1.13 Function comparison

Part numbers	R7FS1JA783A01CFM	R7FS1JA783A01CNE	R7FS1JA783A01CNF	R7FS1JA782A01CBT	R7FS1JA783A01CFJ	
Pin count	64	48	40	36	32	
Package	LQFP	QFN	QFN	BGA	LQFP	
Code flash memory	256 KB					
Data flash memory	8 KB					
SRAM	32 KB					
	Parity	16 KB				
	ECC	16 KB				
System	CPU clock	48 MHz				
	Sub-clock oscillator	Yes			No	
	ICU	Yes				
	KINT	8	6	4	4	3
Event control	ELC	Yes				
DMA	DTC	Yes				
Timers	GPT32	1				
	GPT16	6	6	4	3	4
	AGT	2				
	RTC	Yes				
	WDT/IWDT	Yes				
Communication	SCI	3				
	IIC	2				
	SPI	2		1	2	
	CAN	Yes				
	USBFS	Yes			No	
Analog	ADC16	17 (4 <sup>*1</sup> )	12 (3 <sup>*1</sup> )	8 (1 <sup>*1</sup> )	5 (1 <sup>*1</sup> )	5 (1 <sup>*1</sup> )
	SDADC24	8 (4 <sup>*1</sup> )	6 (3 <sup>*1</sup> )	4 (2 <sup>*1</sup> )	2 (1 <sup>*1</sup> )	2 (1 <sup>*1</sup> )
	DAC12	1				
	DAC8	2	2 <sup>*2</sup>		2 <sup>*3</sup>	
	ACMPHS	1				
	ACMPLP	2				
	OPAMP	3	2	1	1	1
	TSN	Yes				
HMI	CTSU	26	16	11	9	11
Data processing	CRC	Yes				
	DOC	Yes				
Security	AES and TRNG					

Note 1. The number of channels of the differential analog input.

Note 2. Pin output function of DA8\_1 cannot be used.

Note 3. Pin output function of DA8\_0 and DA8\_1 cannot be used.

## 1.5 Pin Functions

**Table 1.14 Pin functions (1 of 4)**

Function	Signal	I/O	Description
Power supply	VCC	Input	Power supply pin. Connect this pin to the system power supply. Connect it to VSS by a 0.1- $\mu$ F capacitor. Place the capacitor close to the pin.
	VCL	I/O	Connect this pin to VSS through a smoothing capacitor used to stabilize the internal power supply. Place the capacitor close to the pin.
	VSS	Input	Ground pin. Connect to the system power supply (0 V).
Clock	XTAL	Output	Pins for a crystal resonator. An external clock signal can be input through the EXTAL pin.
	EXTAL	Input	
	XCIN	Input	Input/output pins for the sub-clock oscillator. Connect a crystal resonator between XCOUT and XCIN.
	XCOUT	Output	
	CLKOUT	Output	
Operating mode control	MD	Input	Pins for setting the operating mode. The signal level on this pin must not be changed during operation mode transition on release from the reset state.
System control	RES	Input	Reset signal input pin. The MCU enters the reset state when this signal goes low.
CAC	CACREF	Input	Measurement reference clock input pin
On-chip debug	SWDIO	I/O	Serial wire debug data input/output pin
	SWCLK	Input	Serial wire clock pin
Interrupt	NMI	Input	Non-maskable interrupt request pin
	IRQ0 to IRQ7	Input	Maskable interrupt request pins
GPT	GTETRGA, GTETRGB	Input	External trigger input pin
	GTIOC0A to GTIOC6A, GTIOC0B to GTIOC6B	I/O	Input capture, output compare, or PWM output pin
	GTIU	Input	Hall sensor input pin U
	GTIV	Input	Hall sensor input pin V
	GTIW	Input	Hall sensor input pin W
	GTOUUP	Output	3-phase PWM output for BLDC motor control (positive U phase)
	GTOULO	Output	3-phase PWM output for BLDC motor control (negative U phase)
	GTOVUP	Output	3-phase PWM output for BLDC motor control (positive V phase)
	GTOVLO	Output	3-phase PWM output for BLDC motor control (negative V phase)
	GTOUWP	Output	3-phase PWM output for BLDC motor control (positive W phase)
GTOWLO	Output	3-phase PWM output for BLDC motor control (negative W phase)	
AGT	AGTEE0, AGTEE1	Input	External event input enable
	AGTIO0, AGTIO1	I/O	External event input and pulse output
	AGTO0, AGTO1	Output	Pulse output
	AGTOA0, AGTOA1	Output	Output compare match A output
	AGTOB0, AGTOB1	Output	Output compare match B output
RTC	RTCOUNT	Output	Output pin for 1-Hz/64-Hz clock

**Table 1.14 Pin functions (2 of 4)**

Function	Signal	I/O	Description
SCI	SCK0, SCK1, SCK9	I/O	Input/output pins for the clock (clock synchronous mode)
	RXD0, RXD1, RXD9	Input	Input pins for received data (asynchronous mode/clock synchronous mode)
	TXD0, TXD1, TXD9	Output	Output pins for transmitted data (asynchronous mode/clock synchronous mode)
	CTS0_RTS0, CTS1_RTS1, CTS9_RTS9	I/O	Input/output pins for controlling the start of transmission and reception (asynchronous mode/clock synchronous mode), active-low
	SCL0, SCL1, SCL9	I/O	Input/output pins for the IIC clock (simple IIC)
	SDA0, SDA1, SDA9	I/O	Input/output pins for the IIC data (simple IIC)
	SCK0, SCK1, SCK9	I/O	Input/output pins for the clock (simple SPI)
	MISO0, MISO1, MISO9	I/O	Input/output pins for slave transmission of data (simple SPI)
	MOSI0, MOSI1, MOSI9	I/O	Input/output pins for master transmission of data (simple SPI)
	SS0, SS1, SS9	Input	Chip-select input pins (simple SPI), active-low
IIC	SCL0, SCL1	I/O	Input/output pins for clock
	SDA0, SDA1	I/O	Input/output pins for data
SPI	RSPCKA, RSPCKB	I/O	Clock input/output pin
	MOSIA, MOSIB	I/O	Inputs or outputs data output from the master
	MISOA, MISOB	I/O	Inputs or outputs data output from the slave
	SSLA0, SSLB0	I/O	Input or output pin for slave selection
	SSLA1 to SSLA3, SSLB1 to SSLB3	Output	Output pin for slave selection
CAN	CRX0	Input	Receive data
	CTX0	Output	Transmit data
USBFS	VSS_USB	Input	Ground pins
	VCC_USB_LDO	Input	Power supply pin for USB LDO regulator
	VCC_USB	I/O	Input: Power supply pin for USB transceiver. Output: USB LDO regulator output pin. This pin should be connected to an external capacitor.
	USB_DP	I/O	D+ I/O pin of the USB on-chip transceiver. This pin should be connected to the D+ pin of the USB bus.
	USB_DM	I/O	D- I/O pin of the USB on-chip transceiver. This pin should be connected to the D- pin of the USB bus.
	USB_VBUS	Input	USB cable connection monitor pin. This pin should be connected to VBUS of the USB bus. The VBUS pin status (connected or disconnected) can be detected when the USB module is operating as a device controller.

**Table 1.14 Pin functions (3 of 4)**

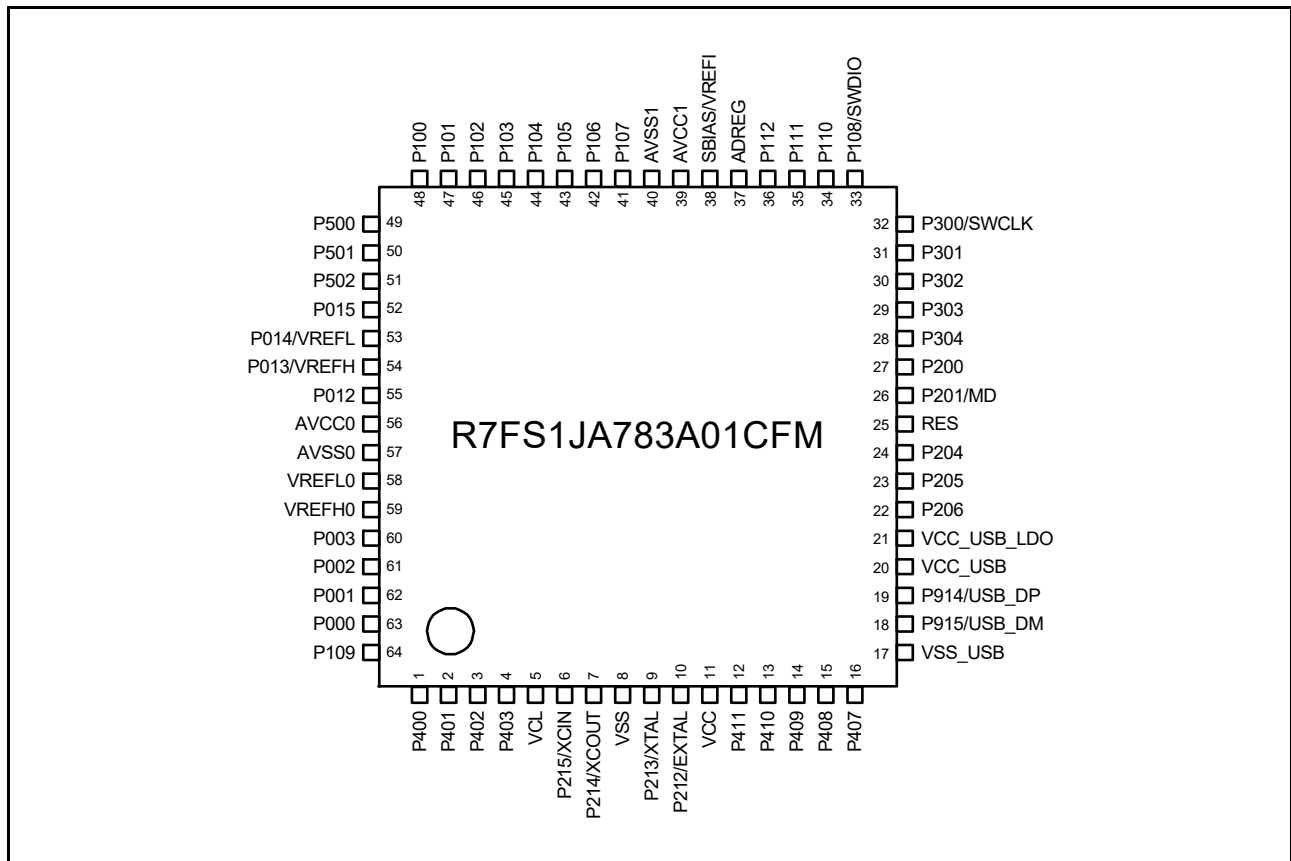
Function	Signal	I/O	Description
Analog power supply	AVCC0	Input	Analog voltage supply pin for the ADC16, DAC12, DAC8, ACMPHS, ACMPLP, and OPAMP
	AVSS0	Input	Analog ground pin for the ADC16, DAC12, DAC8, ACMPHS, ACMPLP, and OPAMP
	AVCC1	Input	Analog voltage supply pin for the SDADC24
	AVSS1	Input	Analog ground pin for the SDADC24
	VREFH0	Input	Analog reference voltage supply pin for the ADC16. Connect this pin to AVCC0 when not using the ADC16.
	VREFL0	Input	Analog reference ground pin for the ADC16. Connect this pin to AVSS0 when not using the ADC16.
	VREFH	Input	Analog reference voltage supply pin for the DAC12
	VREFL	Input	Analog reference ground pin for the DAC12
ADC16	AN000 to AN008, AN016 to AN023	Input	Input pins for the analog signals to be processed by the A/D converter
	ADTRG0	Input	Input pins for the external trigger signals that start the A/D conversion, active-low
SDADC24	ANSD0P to ANSD3P	Input	Input pins for the analog signals to be processed by the SDADC24
	ANSD0N to ANSD3N	Input	Input pins for the analog signals to be processed by the SDADC24
	ADREG	Output	Regulator capacitance for the SDADC24
	SBIAS	Output	Sensor power supply
	VREFI	Input	External reference voltage supply pin for the SDADC24
DAC12	DA12_0	Output	Output pin for the analog signals to be processed by the 12-bit D/A converter
DAC8	DA8_0, DA8_1	Output	Output pins for the analog signals to be processed by the 8-bit D/A converter
Comparator output	VCOUT	Output	Comparator output pin
ACMPHS	IVREF0 to IVREF2	Input	Reference voltage input pin
	IVCMP0 to IVCMP2	Input	Analog voltage input pin
ACMPLP	COMPREF0, COMPREF1	Input	Reference voltage input pins
	CMPIN0, CMPIN1	Input	Analog voltage input pins
OPAMP	AMP0+ to AMP2+	Input	Analog voltage input pins
	AMP0- to AMP2-	Input	Analog voltage input pins
	AMP0O to AMP2O	Output	Analog voltage output pins
CTSU	TS00 to TS25	Input	Capacitive touch detection pins (touch pins)
	TSCAP	-	Secondary power supply pin for the touch driver
KINT	KR00 to KR07	Input	Key interrupt input pins

**Table 1.14 Pin functions (4 of 4)**

Function	Signal	I/O	Description
I/O ports	P000 to P003, P012 to P015	I/O	General-purpose input/output pins
	P100 to P112	I/O	General-purpose input/output pins
	P200	Input	General-purpose input pin
	P201, P204 to P206, P212, P213	I/O	General-purpose input/output pins
	P214, P215	Input	General-purpose input pins
	P300 to P304	I/O	General-purpose input/output pins
	P400 to P403, P407 to P411	I/O	General-purpose input/output pins
	P500 to P502	I/O	General-purpose input/output pins
	P914, P915	I/O	General-purpose input/output pins

### 1.6 Pin Assignments

Figure 1.3 to Figure 1.7 show the pin assignments.



**Figure 1.3 Pin assignment for LQFP 64-pin**

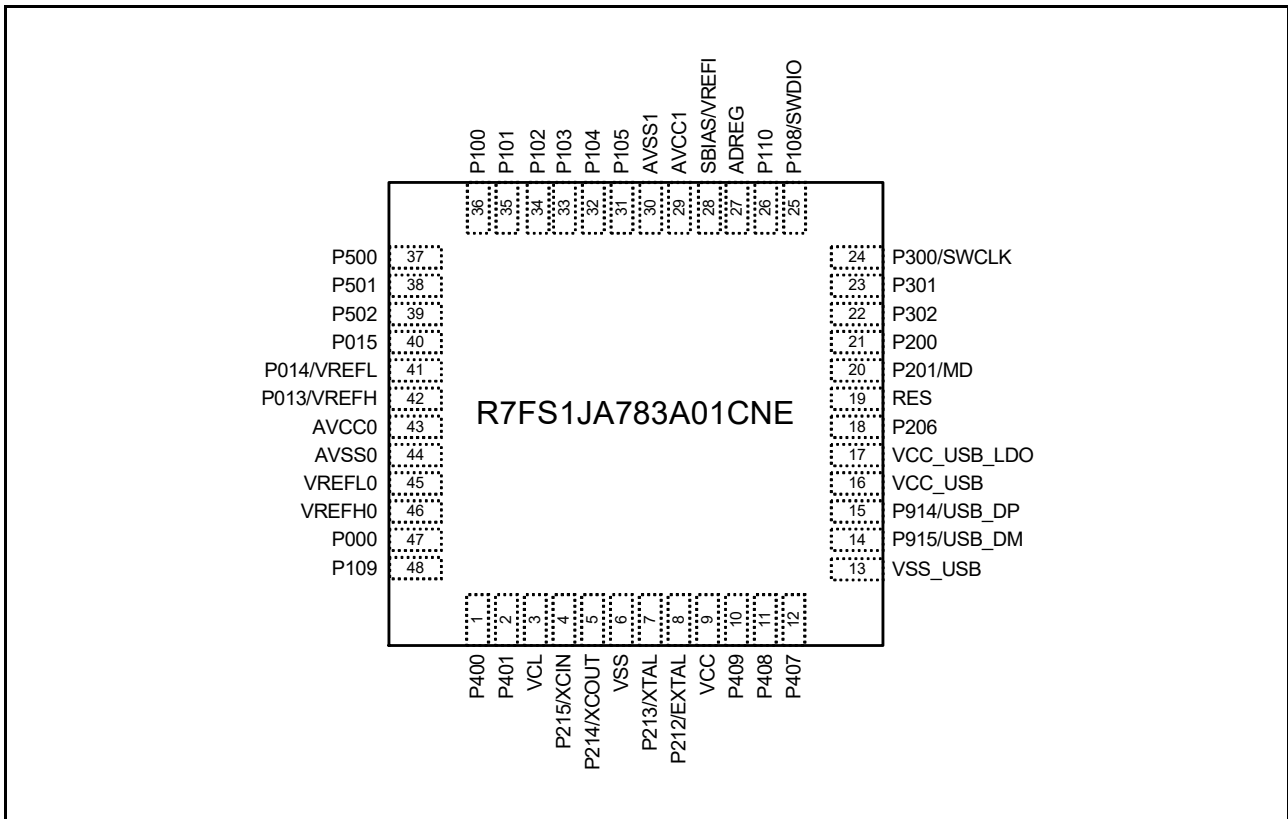


Figure 1.4 Pin assignment for QFN 48-pin

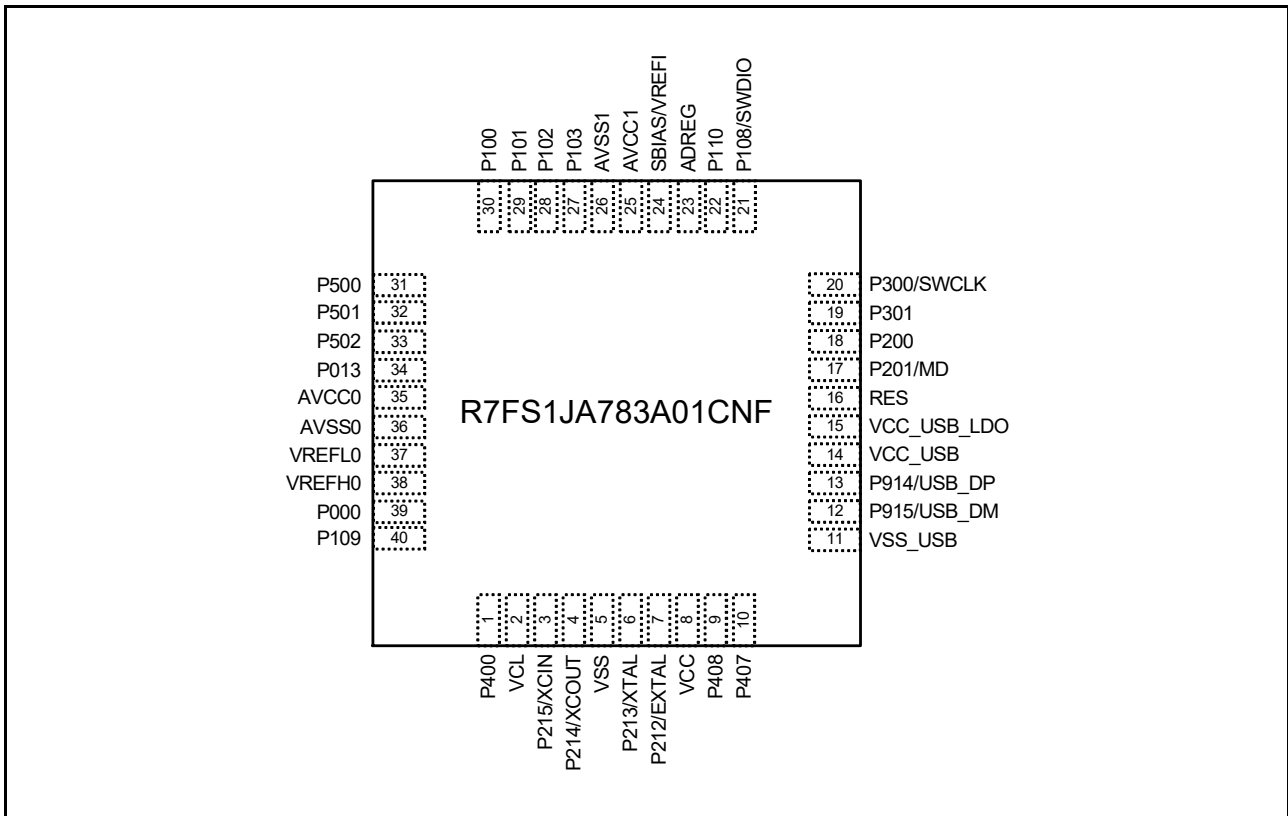


Figure 1.5 Pin assignment for QFN 40-pin

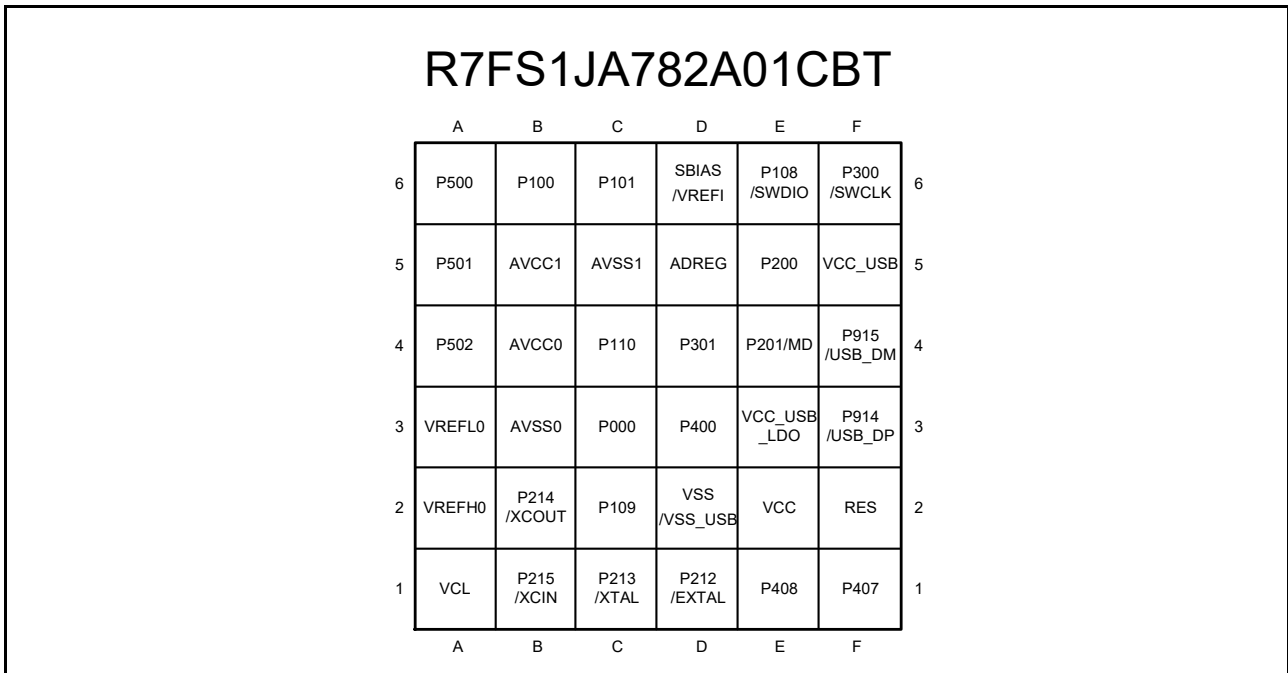


Figure 1.6 Pin assignment for BGA 36-pin (top view, pad side down)

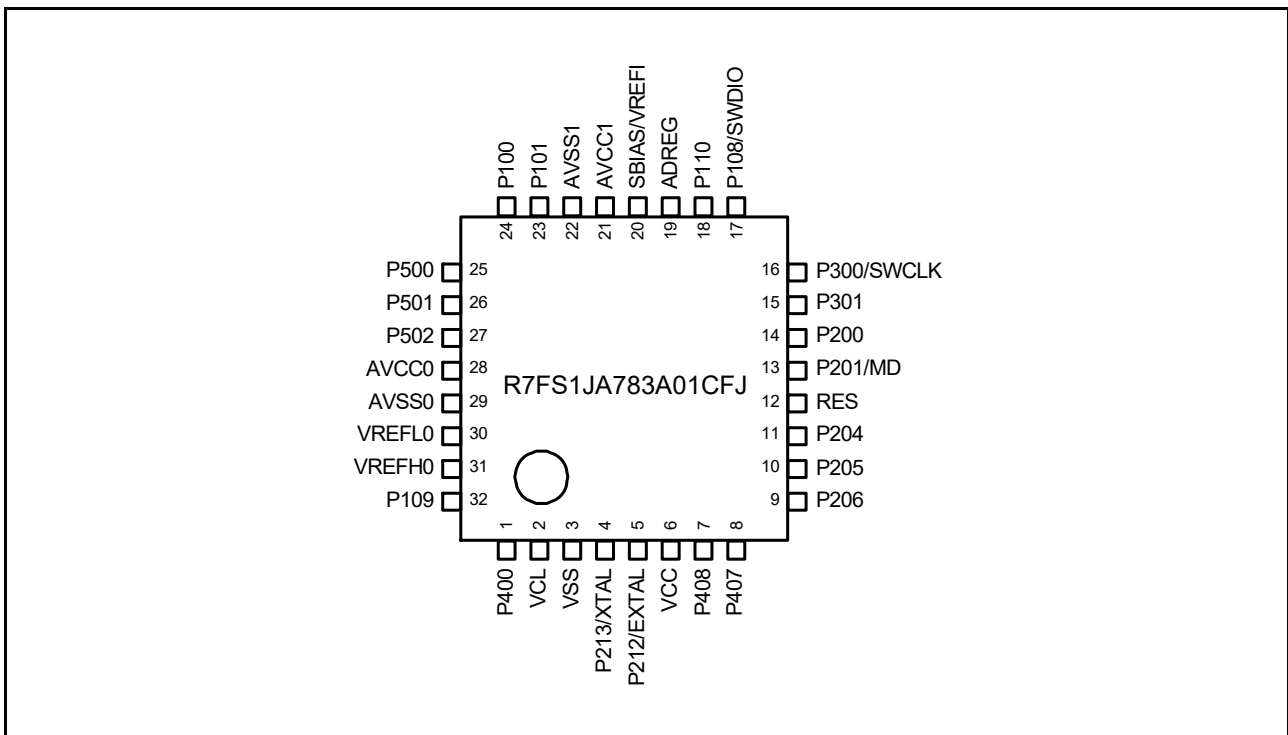


Figure 1.7 Pin assignment for LQFP 32-pin



1.7 Pin Lists

Pin number					Power, System, Clock, Debug, CAC	I/O ports	Timers				Communication Interfaces				Analog				HMI		
LQFP64	QFN48	QFN40	BGA36	LQFP32			AGT	GPT_OPS, POEG	GPT	RTC	USBFS, CAN	SCI	IIC	SPI	ADC16	SDADC24	DAC12, DAC8	ACMPHS, ACMPLP	OPAMP	CTSU	Interrupt
1	1	1	D3	1		P400	AGTEE0_A	GTETRA_A	GTIOC4_A	RTCOUT_C									TS00	KR02/IRQ0_A	
2	2	-	-	-		P401	AGTEE1_A	GTIU_A	GTIOC4_A									VCOU_B	TS01	KR03/IRQ5_B	
3	-	-	-	-		P402		GTIV_A	GTIOC0_A										TS02		
4	-	-	-	-		P403		GTIW_A	GTIOC0_B										TS03		
5	3	2	A1	2	VCL																
6	4	3	B1	-	XCIN	P215															
7	5	4	B2	-	XCOU	P214															
8	6	5	D2	3	VSS																
9	7	6	C1	4	XTAL	P213	AGTEE1_B	GTETRA_B	GTIOC0_A											IRQ2_B	
10	8	7	D1	5	EXTAL	P212	AGTIO0_A	GTETRA_B	GTIOC0_B											IRQ3_B	
11	9	8	E2	6	VCC																
12	-	-	-	-		P411			GTIOC5_A										TS04		
13	-	-	-	-		P410			GTIOC5_B										TS05		
14	10	-	-	-		P409	AGTO1_A		GTIOC0_A		CTX0_B		SCL0_B						SSLA1_A	TS06	IRQ7_A
15	11	9	E1	7		P408	AGTO0_A	GTOUUA	GTIOC0_A		CRX0_B		SDA0_B						SSLA0_A	TS06	IRQ1_A
16	12	10	F1	8	CACREF_B	P407	AGTIO0_C	GTOUL_O	GTIOC0_B		USB_VBUS/CTX0_D		SCL0_A						RSPCKB_B	TS07	IRQ1_B
17	13	11	D2	-	VSS_USB																
18	14	12	F4	-		P915															
19	15	13	F3	-		P914															
20	16	14	F5	-	VCC_USB																
21	17	15	E3	-	VCC_USB_LDO																
22	18	-	-	9		P206	AGTIO0_B	GTOVUA	GTIOC3_A				SCL1_B						SSLB0_A	TS07	IRQ6_A
23	-	-	-	10		P205		GTOVL_O	GTIOC3_B				SDA1_B						MISOB_B	TS08	IRQ0_C
24	-	-	-	11		P204													MOSIB_B	TS09	
25	19	16	F2	12	RES																
26	20	17	E4	13	MD	P201															
27	21	18	E5	14		P200															
28	-	-	-	-		P304			GTIOC6_A		CTX0_A								MISOA_B	TS10	KR07
29	-	-	-	-		P303			GTIOC6_B		CRX0_A								MOSIA_B	TS11	KR06
30	22	-	-	-	CACREF_A	P302	AGTOA1_A	GTOVL_O	GTIOC3_B										RSPCKB_A	TS12	KR05/IRQ4_B

Pin number					Power, System, Clock, Debug, CAC	I/O ports	Timers				Communication Interfaces				Analog					HMI	
LQFP64	QFN48	QFN40	BGA36	LQFP32			AGT	GPT_OPS, POEG	GPT	RTC	USBFS, CAN	SCI	IIC	SPI	ADC16	SDADC24	DAC12, DAC8	ACMPHS, ACMPLP	OPAMP	CTSU	Interrupt
31	23	19	D4	15		P301	AGTOB1_A	GTOWU_P_A	GTIOC2_A_B	RTCOU_A			SDA0_A	MOSIB_A					TS13	KR04/IRQ5_A	
32	24	20	F6	16	SWCLK	P300															
33	25	21	E6	17	SWDIO	P108															
34	26	22	C4	18	CLKOUT_A	P110	AGTOB0_A	GTOWL_O_A	GTIOC2_B_B		CTX0_C		TXD0_D/ MOSI0_D/ SDA0_D/ RXD9_B/ MISO9_B/ SCL9_B	SDA1_D	RSPCKA_A	ADTRG0_A	CMPREF1		TSCAP_A	IRQ2_A	
35	-	-	-	-		P111				RTCOU_B			SCL1_C	RSPCKA_B					TS14	IRQ6_B	
36	-	-	-	-	CLKOUT_B	P112							SDA1_C	SSLA0_B					TSCAP_B	IRQ7_B	
37	27	23	D5	19	ADREG																
38	28	24	D6	20	SBIAS/VREFI																
39	29	25	B5	21	AVCC1																
40	30	26	C5	22	AVSS1																
41	-	-	-	-		P107									AN023	ANS03N					
42	-	-	-	-		P106									AN022	ANS03P					
43	31	-	-	-		P105								MOSIB_C	AN021	ANS02N			TS18	IRQ7_C	
44	32	-	-	-		P104								MISOB_C	AN020	ANS02P			TS19	IRQ6_C	
45	33	27	-	-		P103			GTIOC6_A_B					RSPCKB_C	AN019	ANS01N			TS20		
46	34	28	-	-		P102			GTIOC6_B_B				CTS9_RT S9_D/ SS9_D	SSLB0_C	AN018	ANS01P			TS21		
47	35	29	C6	23		P101			GTIOC5_A_B				RXD9_C/ MISO9_C/ SCL9_C		AN017	ANS00N	IVREF2		TS22	IRQ5_C	
48	36	30	B6	24		P100			GTIOC5_B_B				TXD9_D/ MISO9_D/ SDA9_D		AN016	ANS00P	IVCMP2		TS23	IRQ4_C	
49	37	31	A6	25		P500			GTIOC5_A_C				RXD0_D/ MISO0_D/ SCL0_D		AN000		DA12_0	IVCMP0	AMP0+	TS24	IRQ3_C
50	38	32	A5	26		P501			GTIOC5_B_C				TXD0_E/ MISO0_E/ SDA0_E		AN001		IVREF0	AMP0-	TS25	IRQ2_C	
51	39	33	A4	27		P502							CTS0_RT S0_E/ SS0_E		AN002				AMP00		IRQ1_C
52	40	-	-	-		P015									AN003				AMP10		
53	41	-	-	-	VREFL	P014			GTIOC6_A_C						AN004		IVREF1	AMP1-			
54	42	34	-	-	VREFH	P013			GTIOC6_B_C						AN005		DA8_0	IVCMP1	AMP1+		
55	-	-	-	-		P012									AN008				AMP20		
56	43	35	B4	28	AVCC0																
57	44	36	B3	29	AVSS0																
58	45	37	A3	30	VREFL0																
59	46	38	A2	31	VREFH0																
60	-	-	-	-		P003									AN006				AMP2-		
61	-	-	-	-		P002									AN007		DA8_1		AMP2+		
62	-	-	-	-		P001				RTCOU_D			CTS9_RT S9_A/ SS9_A		RSPCKB_D				TS15	IRQ0_B	
63	47	39	C3	-		P000	AGTIO1_A		GTIOC4_B_B				RXD9_A/ MISO9_A/ SCL9_A	SCL0_C	MISOB_A				TS16	KR00/IRQ4_A	
64	48	40	C2	32		P109	AGTOA0_A	GTETR_GB_A	GTIOC1_B_B				SCK0_C/ TXD9_B/ MISO9_B/ SDA9_B	SCL1_A	MISOA_A	ADTRG0_B		CMPREF0/ VCOUT_A	TS17	KR01/IRQ3_A	

Note: Several pin names have the added suffix of \_A, \_B, \_C, \_D, \_E and \_F. The suffix can be ignored when assigning functionality.

## 2. Electrical Characteristics

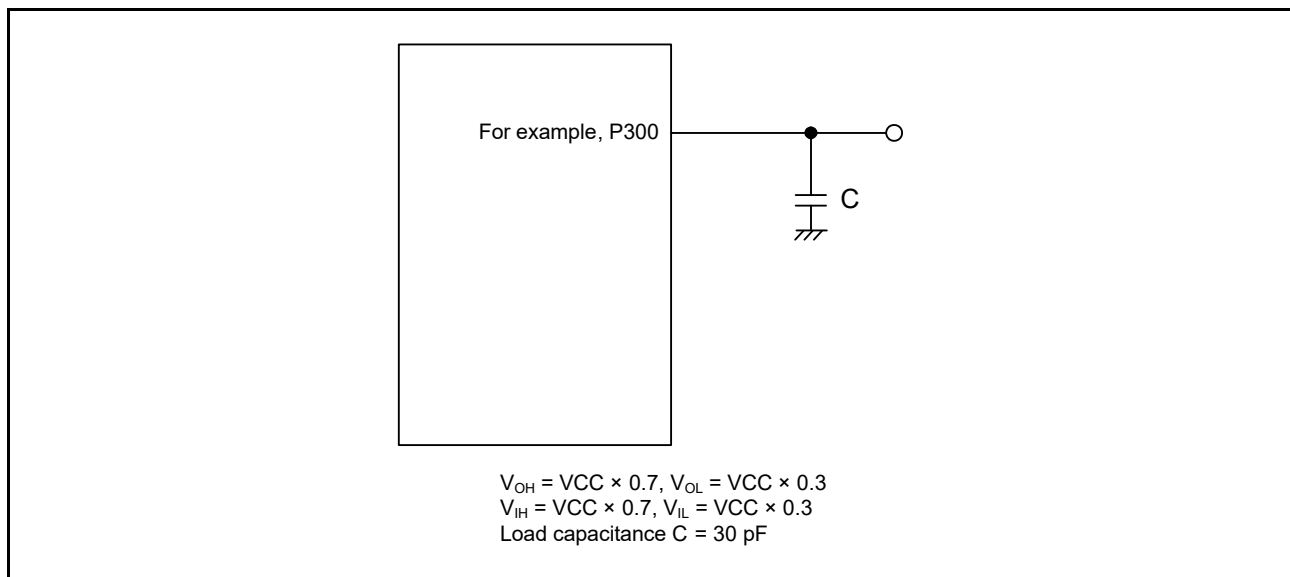
Unless otherwise specified, the electrical characteristics of the MCU are defined under the following conditions:

- $VCC^{*1} = AVCC0 = AVCC1 = VCC\_USB^{*2} = VCC\_USB\_LDO^{*2} = 1.6$  to  $5.5$  V
- $VREFH = VREFH0 = 1.6$  to  $AVCC0$
- $VSS = AVSS0 = AVSS1 = VREFL = VREFL0 = VSS\_USB = 0$  V
- $T_a = T_{opr}$

Note 1. The typical condition is set to  $VCC = 3.3$  V.

Note 2. When USBFS is not used.

Figure 2.1 shows the timing conditions.



**Figure 2.1** Input or output timing measurement conditions

The measurement conditions for the timing specifications of each peripheral are recommended for the best peripheral operation. However, make sure to adjust driving abilities of each pin to meet the conditions of your system.

Each function pin used for the same function must select the same drive ability. If the I/O drive ability of each function pin is mixed, the A/C specification of each function is not guaranteed.

### 2.1 Absolute Maximum Ratings

**Table 2.1** Absolute maximum ratings (1 of 2)

Parameter	Symbol	Value	Unit	
Power supply voltage	VCC	-0.5 to +6.5	V	
Input voltage	5 V-tolerant ports*1	$V_{in}$	-0.3 to +6.5	V
	P002, P003, P012 to P015, P500 to P502	$V_{in}$	-0.3 to $AVCC0 + 0.3$	V
	P100 to P107	$V_{in}$	-0.3 to $AVCC1 + 0.3$	V
	Others	$V_{in}$	-0.3 to $VCC + 0.3$	V
Reference power supply voltage	VREFH0	-0.3 to +6.5	V	
	VREFH	-0.3 to +6.5	V	
	VREFI	-0.3 to $AVCC1 + 0.3$	V	
Analog power supply voltage	AVCC0, AVCC1*5	-0.5 to +6.5	V	

**Table 2.1 Absolute maximum ratings (2 of 2)**

Parameter	Symbol	Value	Unit
USB power supply voltage	VCC_USB	-0.5 to +6.5	V
	VCC_USB_LDO	-0.5 to +6.5	V
Analog input voltage	V <sub>AN</sub>	When AN000 to AN008 are used	-0.3 to AVCC0 + 0.3
		When AN016 to AN023 are used	-0.3 to AVCC1 + 0.3
		When ANSD0P to ANSD3P and ANSD0N to ANSD3N are used	-0.3 to AVCC1 + 0.3
Operating temperature*2 *3 *4	T <sub>opr</sub>	-40 to +85 -40 to +105	°C
Storage temperature	T <sub>stg</sub>	-55 to +125	°C

- Note 1. Ports P000, P111, P112, P205, P206, P301, P401, P407, and P409 are 5 V tolerant. Do not input signals or an I/O pull-up power supply while the device is not powered. The current injection that results from input of such a signal or I/O pull-up might cause malfunction and the abnormal current that passes in the device at this time might cause degradation of internal elements.
- Note 2. See [section 2.2.1, T<sub>j</sub>/T<sub>a</sub> Definition](#).
- Note 3. Contact Renesas Electronics sales office for information on derating operation when T<sub>a</sub> = +85°C to +105°C. Derating is the systematic reduction of load for improved reliability.
- Note 4. The upper limit of the operating temperature is 85°C or 105°C, depending on the product. For details, see [section 1.3, Part Numbering](#).
- Note 5. Use AVCC0 and AVCC1 under the same conditions:  
AVCC0 = AVCC1

**Caution: Permanent damage to the MCU may result if absolute maximum ratings are exceeded. To preclude any malfunctions due to noise interference, insert capacitors with high frequency characteristics between the VCC and VSS pins, between the AVCC0 and AVSS0 pins, between the AVCC1 and AVSS1 pins, between the VCC\_USB and VSS\_USB pins, between the VREFH and VREFL pins, and between the VREFH0 and VREFL0 pins when VREFH0 is selected as the high potential reference voltage for the ADC16. Place capacitors of the following value as close as possible to every power supply pin and use the shortest and heaviest possible traces:**

- VCC and VSS: about 0.1 μF
- AVCC0 and AVSS0: about 0.1 μF
- AVCC1 and AVSS1: about 0.1 μF
- VREFH and VREFL: about 0.1 μF
- VREFH0 and VREFL0: about 10 μF.

**Also, connect capacitors as stabilization capacitance. Connect the VCL pin to a VSS pin by a 4.7 μF capacitor. Connect the VREFH0 pin to a VREFL0 pin by 1 μF (-25% to +25%) capacitor when VREFADC is selected as the high potential reference voltage of the ADC16. Connect the ADREG pin to a AVSS1 pin by a 0.47 μF (-50% to +20%) capacitor. Connect the SBIAS/VREFI pin to a AVSS1 pin by a 0.22 μF (-20% to +20%) capacitor. Every capacitor must be placed close to the pin.**

**Table 2.2 Recommended operating conditions (1 of 2)**

Parameter	Symbol	Value	Min	Typ	Max	Unit
Power supply voltages	VCC*1, *2	When USBFS is not used	1.6	-	5.5	V
		When USBFS is used USB Regulator Disable	VCC_USB	-	3.6	V
		When USBFS is used USB Regulator Enable	VCC_USB_LDO	-	5.5	V
	VSS	-	0	-	V	

**Table 2.2 Recommended operating conditions (2 of 2)**

Parameter	Symbol	Value	Min	Typ	Max	Unit
USB power supply voltages	VCC_USB	When USBFS is not used	-	VCC	-	V
		When USBFS is used USB Regulator Disable (Input)	3.0	3.3	3.6	V
	VCC_USB_LDO	When USBFS is not used	-	VCC	-	V
		When USBFS is used USB Regulator Disable	-	VCC	-	V
		When USBFS is used USB Regulator Enable	3.8	-	5.5	V
	VSS_USB		-	0	-	V
Analog power supply voltages	AVCC0*1, *2		1.6	-	5.5	V
	AVSS0		-	0	-	V
	AVCC1*1, *2		-	AVCC0	-	V
	AVSS1		-	0	-	V
	VREFH0	When used as ADC16 Reference	1.7	-	AVCC0	V
	VREFL0		-	0	-	V
	VREFH	When used as DAC12 Reference	1.7	-	AVCC0	V
	VREFL		-	0	-	V
	VREFI	When used as SDADC24 Reference*3	0.8	-	2.4	V

Note 1. Use AVCC0, AVCC1, and VCC under the following conditions:

AVCC0, AVCC1, and VCC can be set individually within the operating range when  $VCC \geq 2.2\text{ V}$  and  $AVCC0 = AVCC1 \geq 2.2\text{ V}$ .  
 $AVCC0 = AVCC1 = VCC$  when  $VCC < 2.2\text{ V}$  or  $AVCC0 = AVCC1 < 2.2\text{ V}$ .

Note 2. When powering on the VCC and AVCC0 and AVCC1 pins, power them on at the same time or the VCC pin first and then the AVCC0 and AVCC1 pins.

Note 3. The condition when using external input for the reference voltage of SDADC24.

## 2.2 DC Characteristics

### 2.2.1 Tj/Ta Definition

**Table 2.3 DC characteristics**

Conditions: Products with operating temperature ( $T_a$ ) -40 to +105°C

Parameter	Symbol	Typ	Max	Unit	Test conditions
Permissible junction temperature	Tj	-	125	°C	High-speed mode Middle-speed mode Low-voltage mode Low-speed mode SubOSC-speed mode
			105*1		

Note: Make sure that  $T_j = T_a + \theta_{ja} \times \text{total power consumption (W)}$ , where total power consumption =  $(VCC - V_{OH}) \times \Sigma I_{OH} + V_{OL} \times \Sigma I_{OL} + I_{CCmax} \times VCC$ .

Note 1. The upper limit of operating temperature is 85°C or 105°C, depending on the product. For details, see [section 1.3, Part Numbering](#). If the part number shows the operation temperature at 85°C, then the maximum value of Tj is 105°C, otherwise it is 125°C.

2.2.2 I/O  $V_{IH}$ ,  $V_{IL}$ **Table 2.4** I/O  $V_{IH}$ ,  $V_{IL}$ Conditions:  $V_{CC} = AV_{CC0} = AV_{CC1} = V_{CC\_USB} = V_{CC\_USB\_LDO} = 1.6$  to  $5.5$  V

Parameter		Symbol	Min	Typ	Max	Unit	Test Conditions	
Schmitt trigger input voltage	IIC (except for SMBus)*1	$V_{IH}$	$V_{CC} \times 0.7$	-	5.8	V	-	
		$V_{IL}$	-	-	$V_{CC} \times 0.3$			
		$\Delta V_T$	$V_{CC} \times 0.05$	-	-			
	RES, NMI Other peripheral input pins excluding IIC	$V_{IH}$	$V_{CC} \times 0.8$	-	-			
		$V_{IL}$	-	-	$V_{CC} \times 0.2$			
		$\Delta V_T$	$V_{CC} \times 0.1$	-	-			
Input voltage (except for Schmitt trigger input pin)	IIC (SMBus)*2	$V_{IH}$	2.2	-	-		VCC = 3.6 to 5.5 V	
		$V_{IH}$	2.0	-	-		VCC = 2.7 to 3.6 V	
		$V_{IL}$	-	-	0.8		VCC = 2.7 to 5.5 V	
	5 V-tolerant ports*3	$V_{IH}$	$V_{CC} \times 0.8$	-	5.8			-
		$V_{IL}$	-	-	$V_{CC} \times 0.2$			
	P002, P003, P012 to P015, P500 to P502	$V_{IH}$	$AV_{CC0} \times 0.8$	-	-			
		$V_{IL}$	-	-	$AV_{CC0} \times 0.2$			
	P100 to P107	$V_{IH}$	$AV_{CC1} \times 0.8$	-	-			
		$V_{IL}$	-	-	$AV_{CC1} \times 0.2$			
	P914, P915	$V_{IH}$	$V_{CC\_USB} \times 0.8$	-	$V_{CC\_USB} + 0.3$			
		$V_{IL}$	-	-	$V_{CC\_USB} \times 0.2$			
	EXTAL Input ports pins except for P002, P003, P012 to P015, P100 to P107, P500 to P502, P914, P915	$V_{IH}$	$V_{CC} \times 0.8$	-	-			
		$V_{IL}$	-	-	$V_{CC} \times 0.2$			

Note 1. SCL0\_A, SCL0\_B, SCL0\_C, SDA0\_A, SDA0\_C, SCL1\_B, SCL1\_C, SDA1\_B, SDA1\_C (total 9 pins)

Note 2. SCL0\_A, SCL0\_B, SCL0\_C, SDA0\_A, SDA0\_B, SDA0\_C, SCL1\_A, SCL1\_B, SCL1\_C, SDA1\_A, SDA1\_B, SDA1\_C, SDA1\_D (total 13 pins)

Note 3. P000, P111, P112, P205, P206, P301, P401, P407, P409 (total 9 pins)

2.2.3 I/O  $I_{OH}$ ,  $I_{OL}$ **Table 2.5** I/O  $I_{OH}$ ,  $I_{OL}$ 

Conditions: VCC = AVCC0 = AVCC1 = VCC\_USB = VCC\_USB\_LDO = 1.6 to 5.5 V

Parameter		Symbol	Min	Typ	Max	Unit		
Permissible output current (average value per pin)	Ports P212, P213	-	$I_{OH}$	-	-	-4.0	mA	
			$I_{OL}$	-	-	4.0	mA	
	Ports P407, P408, P409	Low drive*1		$I_{OH}$	-	-	-4.0	mA
				$I_{OL}$	-	-	4.0	mA
		Middle drive for IIC Fast mode and SPI*4		$I_{OH}$	-	-	-8.0	mA
				$I_{OL}$	-	-	8.0	mA
		Middle drive*2 VCC = 3.0 to 5.5 V		$I_{OH}$	-	-	-20.0	mA
				$I_{OL}$	-	-	20.0	mA
	Ports P914, P915		$I_{OH}$	-	-	-4.0	mA	
			$I_{OL}$	-	-	4.0	mA	
	Other output pins*3	Low drive*1		$I_{OH}$	-	-	-4.0	mA
				$I_{OL}$	-	-	4.0	mA
		Middle drive*2		$I_{OH}$	-	-	-8.0	mA
				$I_{OL}$	-	-	8.0	mA
Permissible output current (max value per pin)	Ports P212, P213	-	$I_{OH}$	-	-	-4.0	mA	
			$I_{OL}$	-	-	4.0	mA	
	Ports P407, P408, P409	Low drive*1		$I_{OH}$	-	-	-4.0	mA
				$I_{OL}$	-	-	4.0	mA
		Middle drive for IIC Fast mode and SPI*4		$I_{OH}$	-	-	-8.0	mA
				$I_{OL}$	-	-	8.0	mA
		Middle drive*2 VCC = 3.0 to 5.5 V		$I_{OH}$	-	-	-20.0	mA
				$I_{OL}$	-	-	20.0	mA
	Ports P914, P915		$I_{OH}$	-	-	-4.0	mA	
			$I_{OL}$	-	-	4.0	mA	
	Other output pins*3	Low drive*1		$I_{OH}$	-	-	-4.0	mA
				$I_{OL}$	-	-	4.0	mA
		Middle drive*2		$I_{OH}$	-	-	-8.0	mA
				$I_{OL}$	-	-	8.0	mA
Permissible output current (max value total pins)	Total of ports P002, P003, P012 to P015, P500 to P502		$\Sigma I_{OH} (max)$	-	-	-30	mA	
			$\Sigma I_{OL} (max)$	-	-	30	mA	
	Total of ports P100 to P107		$\Sigma I_{OH} (max)$	-	-	-30	mA	
			$\Sigma I_{OL} (max)$	-	-	30	mA	
	Total of ports P914, P915		$\Sigma I_{OH}$	-	-	-4.0	mA	
			$\Sigma I_{OL}$	-	-	4.0	mA	
	Total of all output pin*5		$\Sigma I_{OH} (max)$	-	-	-60	mA	
			$\Sigma I_{OL} (max)$	-	-	60	mA	

Note 1. This is the value when low driving ability is selected with the Port Drive Capability bit in the PmnPFS register.

Note 2. This is the value when middle driving ability is selected with the Port Drive Capability bit in the PmnPFS register.

Note 3. Except for Ports P200, P214, P215, which are input ports.

Note 4. This is the value when middle driving ability for IIC Fast mode and SPI is selected with the Port Drive Capability bit in PmnPFS register.

Note 5. For details on the permissible output current used with CTSU, see [section 2.12, CTSU Characteristics](#).

**Caution:** To protect the reliability of the MCU, the output current values should not exceed the values in [Table 2.5](#). The average output current indicates the average current value measured during 100  $\mu$ s.

2.2.4 I/O  $V_{OH}$ ,  $V_{OL}$ , and Other Characteristics**Table 2.6** I/O  $V_{OH}$ ,  $V_{OL}$  (1)Conditions:  $V_{CC} = AV_{CC0} = AV_{CC1} = V_{CC\_USB} = V_{CC\_USB\_LDO} = 4.0$  to  $5.5$  V

Parameter		Symbol	Min	Typ	Max	Unit	Test conditions
Output voltage	IIC*1	$V_{OL}$	-	-	0.4	V	$I_{OL} = 3.0$ mA
		$V_{OL}^{*2,*5}$	-	-	0.6		$I_{OL} = 6.0$ mA
Ports P407, P408, P409	Low drive	$V_{OH}$	$V_{CC} - 0.8$	-	-	$I_{OH} = -2.0$ mA	
		$V_{OL}$	-	-	0.8	$I_{OL} = 2.0$ mA	
	Middle drive for IIC Fast mode and SPI*5	$V_{OH}$	$V_{CC} - 0.8$	-	-	$I_{OH} = -4.0$ mA	
		$V_{OL}$	-	-	0.8	$I_{OL} = 4.0$ mA	
	Middle drive*2,*3	$V_{OH}$	$V_{CC} - 1.0$	-	-	$I_{OH} = -20$ mA	
		$V_{OL}$	-	-	1.0	$I_{OL} = 20$ mA	
Ports P002, P003, P012 to P015, P500 to P502	Low drive	$V_{OH}$	$AV_{CC0} - 0.8$	-	-	$I_{OH} = -2.0$ mA	
		$V_{OL}$	-	-	0.8	$I_{OL} = 2.0$ mA	
	Middle drive	$V_{OH}$	$AV_{CC0} - 0.8$	-	-	$I_{OH} = -4.0$ mA	
		$V_{OL}$	-	-	0.8	$I_{OL} = 4.0$ mA	
Ports P100 to P107	Low drive	$V_{OH}$	$AV_{CC1} - 0.8$	-	-	$I_{OH} = -2.0$ mA	
		$V_{OL}$	-	-	0.8	$I_{OL} = 2.0$ mA	
	Middle drive	$V_{OH}$	$AV_{CC1} - 0.8$	-	-	$I_{OH} = -4.0$ mA	
		$V_{OL}$	-	-	0.8	$I_{OL} = 4.0$ mA	
Ports P914, P915	$V_{OH}$	$V_{CC\_USB} - 0.8$	-	-	$I_{OH} = -2.0$ mA		
	$V_{OL}$	-	-	0.8	$I_{OL} = 2.0$ mA		
Other output pins*4	Low drive	$V_{OH}$	$V_{CC} - 0.8$	-	-	$I_{OH} = -2.0$ mA	
		$V_{OL}$	-	-	0.8	$I_{OL} = 2.0$ mA	
	Middle drive*6	$V_{OH}$	$V_{CC} - 0.8$	-	-	$I_{OH} = -4.0$ mA	
		$V_{OL}$	-	-	0.8	$I_{OL} = 4.0$ mA	

Note 1. SCL0\_A, SCL0\_B, SCL0\_C, SDA0\_A, SDA0\_B, SDA0\_C, SCL1\_A, SCL1\_B, SCL1\_C, SDA1\_A, SDA1\_B, SDA1\_C, SDA1\_D (total 13 pins).

Note 2. This is the value when middle driving ability is selected with the Port Drive Capability bit in the PmnPFS register.

Note 3. Based on characterization data, not tested in production.

Note 4. Except for P200, P214, P215, which are input ports.

Note 5. This is the value when middle driving ability for IIC and SPI is selected with the Port Drive Capability bit in PmnPFS register for P407, P408, and P409.

Note 6. Except for P212, P213.



**Table 2.7 I/O  $V_{OH}$ ,  $V_{OL}$  (2)**Conditions:  $V_{CC} = AV_{CC0} = AV_{CC1} = V_{CC\_USB} = V_{CC\_USB\_LDO} = 2.7$  to  $4.0$  V

Parameter		Symbol	Min	Typ	Max	Unit	Test conditions	
Output voltage	IIC*1	$V_{OL}$	-	-	0.4	V	$I_{OL} = 3.0$ mA	
		$V_{OL}^{*2,*5}$	-	-	0.6		$I_{OL} = 6.0$ mA	
	Ports P407, P408, P409	Low drive	$V_{OH}$	$V_{CC} - 0.5$	-		-	$I_{OH} = -1.0$ mA
			$V_{OL}$	-	-		0.5	$I_{OL} = 1.0$ mA
		Middle drive for IIC Fast mode and SPI*5	$V_{OH}$	$V_{CC} - 0.5$	-		-	$I_{OH} = -2.0$ mA
			$V_{OL}$	-	-		0.5	$I_{OL} = 2.0$ mA
		Middle drive*2,*3	$V_{OH}$	$V_{CC} - 1.0$	-		-	$I_{OH} = -20$ mA $V_{CC} = 3.3$ V
			$V_{OL}$	-	-		1.0	$I_{OL} = 20$ mA $V_{CC} = 3.3$ V
	Ports P002, P003, P012 to P015, P500 to P502	Low drive	$V_{OH}$	$AV_{CC0} - 0.5$	-		-	$I_{OH} = -1.0$ mA
			$V_{OL}$	-	-		0.5	$I_{OL} = 1.0$ mA
		Middle drive	$V_{OH}$	$AV_{CC0} - 0.5$	-		-	$I_{OH} = -2.0$ mA
			$V_{OL}$	-	-		0.5	$I_{OL} = 2.0$ mA
	Ports P100 to P107	Low drive	$V_{OH}$	$AV_{CC1} - 0.5$	-		-	$I_{OH} = -1.0$ mA
			$V_{OL}$	-	-		0.5	$I_{OL} = 1.0$ mA
		Middle drive	$V_{OH}$	$AV_{CC1} - 0.5$	-		-	$I_{OH} = -2.0$ mA
			$V_{OL}$	-	-		0.5	$I_{OL} = 2.0$ mA
	Ports P914, P915	$V_{OH}$	$V_{CC\_USB} - 0.5$	-	-		$I_{OH} = -1.0$ mA	
		$V_{OL}$	-	-	0.5		$I_{OL} = 1.0$ mA	
	Other output pins*4	Low drive	$V_{OH}$	$V_{CC} - 0.5$	-		-	$I_{OH} = -1.0$ mA
			$V_{OL}$	-	-		0.5	$I_{OL} = 1.0$ mA
Middle drive*6		$V_{OH}$	$V_{CC} - 0.5$	-	-	$I_{OH} = -2.0$ mA		
		$V_{OL}$	-	-	0.5	$I_{OL} = 2.0$ mA		

Note 1. SCL0\_A, SCL0\_B, SCL0\_C, SDA0\_A, SDA0\_B, SDA0\_C, SCL1\_A, SCL1\_B, SCL1\_C, SDA1\_A, SDA1\_B, SDA1\_C, SDA1\_D (total 13 pins).

Note 2. This is the value when middle driving ability is selected with the Port Drive Capability bit in the PmnPFS register.

Note 3. Based on characterization data, not tested in production.

Note 4. Except for P200, P214, P215, which are input ports.

Note 5. This is the value when middle driving ability for IIC and SPI is selected with the Port Drive Capability bit in PmnPFS register for P407, P408, and P409.

Note 6. Except for P212, P213.

**Table 2.8 I/O  $V_{OH}$ ,  $V_{OL}$  (3)**Conditions:  $V_{CC} = AV_{CC0} = AV_{CC1} = V_{CC\_USB} = V_{CC\_USB\_LDO} = 1.6$  to  $2.7$  V

Parameter			Symbol	Min	Typ	Max	Unit	Test conditions
Output voltage	Ports P407, P408, P409	Low drive	$V_{OH}$	$V_{CC} - 0.3$	-	-	V	$I_{OH} = -0.5$ mA
			$V_{OL}$	-	-	0.3		$I_{OL} = 0.5$ mA
		Middle drive for IIC Fast mode and SPI*2	$V_{OH}$	$V_{CC} - 0.3$	-	-		$I_{OH} = -1.0$ mA
			$V_{OL}$	-	-	0.3		$I_{OL} = 1.0$ mA
	Ports P002, P003, P012 to P015, P500 to P502	Low drive	$V_{OH}$	$AV_{CC0} - 0.3$	-	-	$I_{OH} = -0.5$ mA	
			$V_{OL}$	-	-	0.3	$I_{OL} = 0.5$ mA	
		Middle drive	$V_{OH}$	$AV_{CC0} - 0.3$	-	-	$I_{OH} = -1.0$ mA	
			$V_{OL}$	-	-	0.3	$I_{OL} = 1.0$ mA	
	Ports P100 to P107	Low drive	$V_{OH}$	$AV_{CC0} - 0.3$	-	-	$I_{OH} = -0.5$ mA	
			$V_{OL}$	-	-	0.3	$I_{OL} = 0.5$ mA	
		Middle drive	$V_{OH}$	$AV_{CC0} - 0.3$	-	-	$I_{OH} = -1.0$ mA	
			$V_{OL}$	-	-	0.3	$I_{OL} = 1.0$ mA	
	Ports P914, P915		$V_{OH}$	$V_{CC\_USB} - 0.3$	-	-	$I_{OH} = -0.5$ mA	
			$V_{OL}$	-	-	0.3	$I_{OL} = 0.5$ mA	
Other output pins*1	Low drive	$V_{OH}$	$V_{CC} - 0.3$	-	-	$I_{OH} = -0.5$ mA		
		$V_{OL}$	-	-	0.3	$I_{OL} = 0.5$ mA		
	Middle drive*3	$V_{OH}$	$V_{CC} - 0.3$	-	-	$I_{OH} = -1.0$ mA		
		$V_{OL}$	-	-	0.3	$I_{OL} = 1.0$ mA		

Note 1. Except for ports P200, P214, P215, which are input ports.

Note 2. This is the value when middle driving ability for IIC and SPI is selected with the Port Drive Capability bit in the PmnPFS register for P407, P408, and P409.

Note 3. Except for P212, P213.

**Table 2.9 I/O other characteristics**Conditions:  $V_{CC} = AV_{CC0} = AV_{CC1} = V_{CC\_USB} = V_{CC\_USB\_LDO} = 1.6$  to  $5.5$  V

Parameter		Symbol	Min	Typ	Max	Unit	Test conditions
Input leakage current	RES, ports P200, P214, P215	$ I_{in} $	-	-	1.0	$\mu$ A	$V_{in} = 0$ V $V_{in} = V_{CC}$
Three-state leakage current (off state)	5 V-tolerant ports	$ I_{TSI} $	-	-	1.0	$\mu$ A	$V_{in} = 0$ V $V_{in} = 5.8$ V
	Other ports		-	-	1.0		$V_{in} = 0$ V $V_{in} = V_{CC}$
Input pull-up resistor	All ports (except for P200, P214, P215, P914, P915)	$R_U$	10	20	50	k $\Omega$	$V_{in} = 0$ V
Input capacitance	P012 to P015, P200, P502, P914, P915	$C_{in}$	-	-	30	pF	$V_{in} = 0$ V $f = 1$ MHz $T_a = 25^\circ$ C
	Other input pins		-	-	15		

2.2.5 Output Characteristics for I/O Pins (Low Drive Capacity)

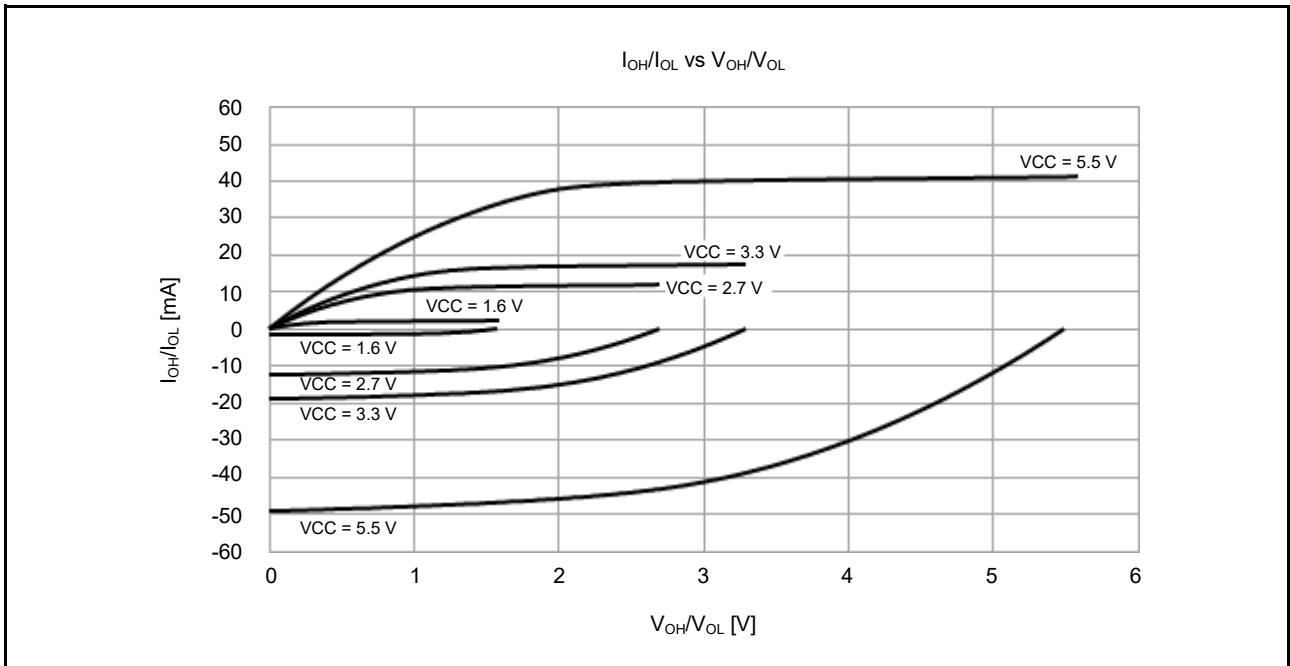


Figure 2.2  $V_{OH}/V_{OL}$  and  $I_{OH}/I_{OL}$  voltage characteristics at  $T_a = 25^\circ\text{C}$  when low drive output is selected (reference data, except for P914 and P915)

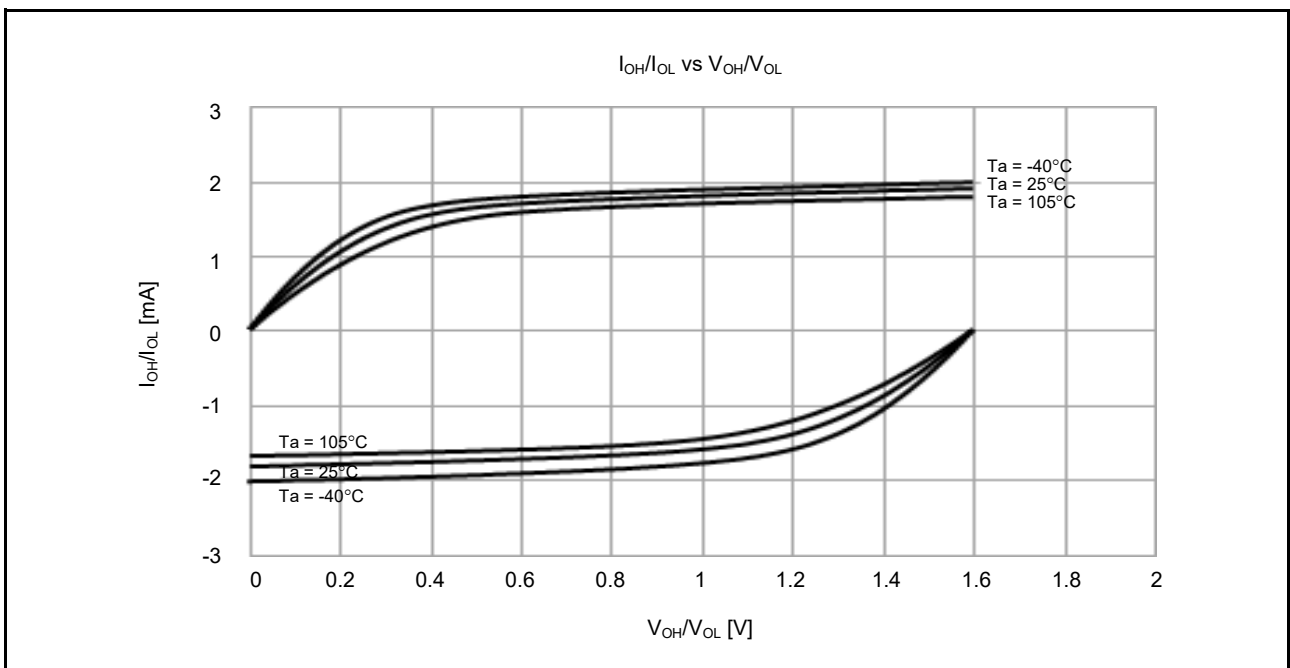


Figure 2.3  $V_{OH}/V_{OL}$  and  $I_{OH}/I_{OL}$  temperature characteristics at  $V_{CC} = 1.6\text{ V}$  when low drive output is selected (reference data, except for P914 and P915)

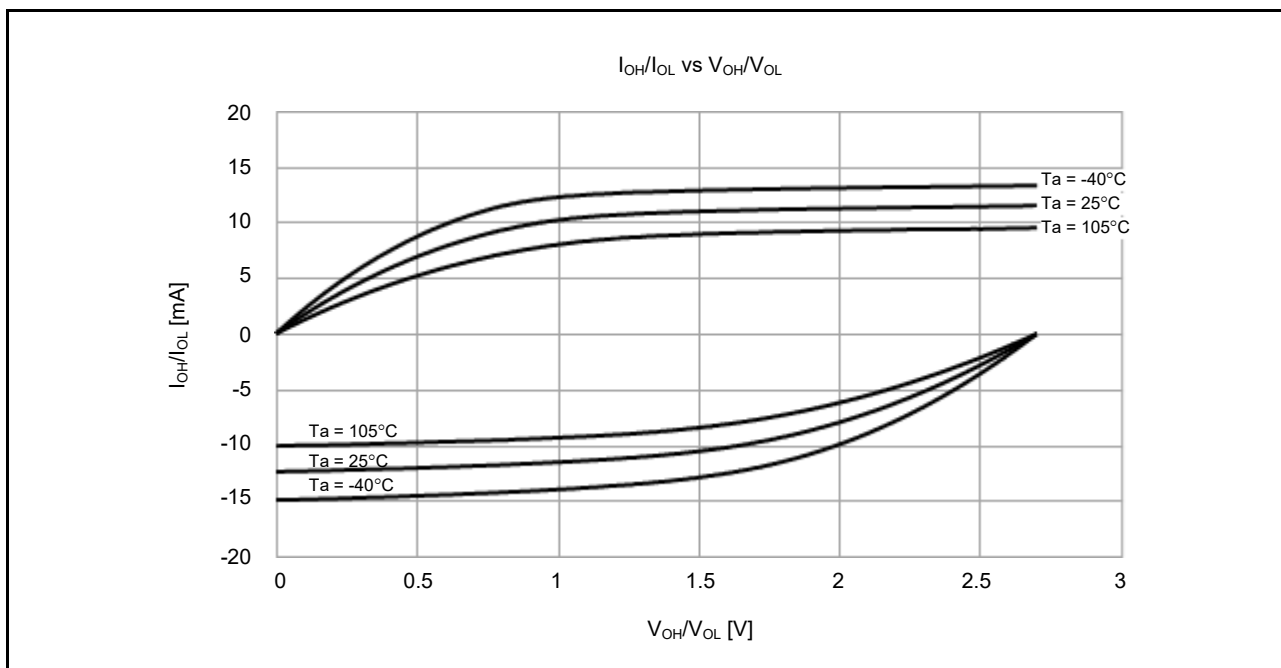


Figure 2.4  $V_{OH}/V_{OL}$  and  $I_{OH}/I_{OL}$  temperature characteristics at  $V_{CC} = 2.7$  V when low drive output is selected (reference data, except for P914 and P915)

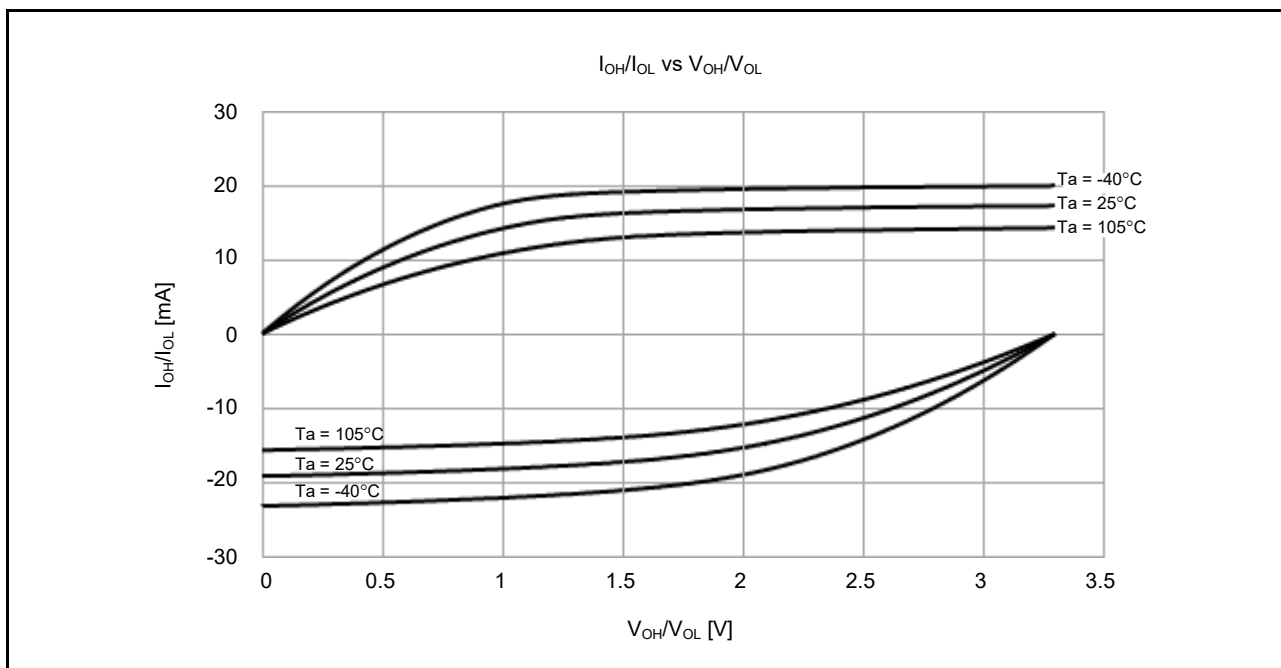
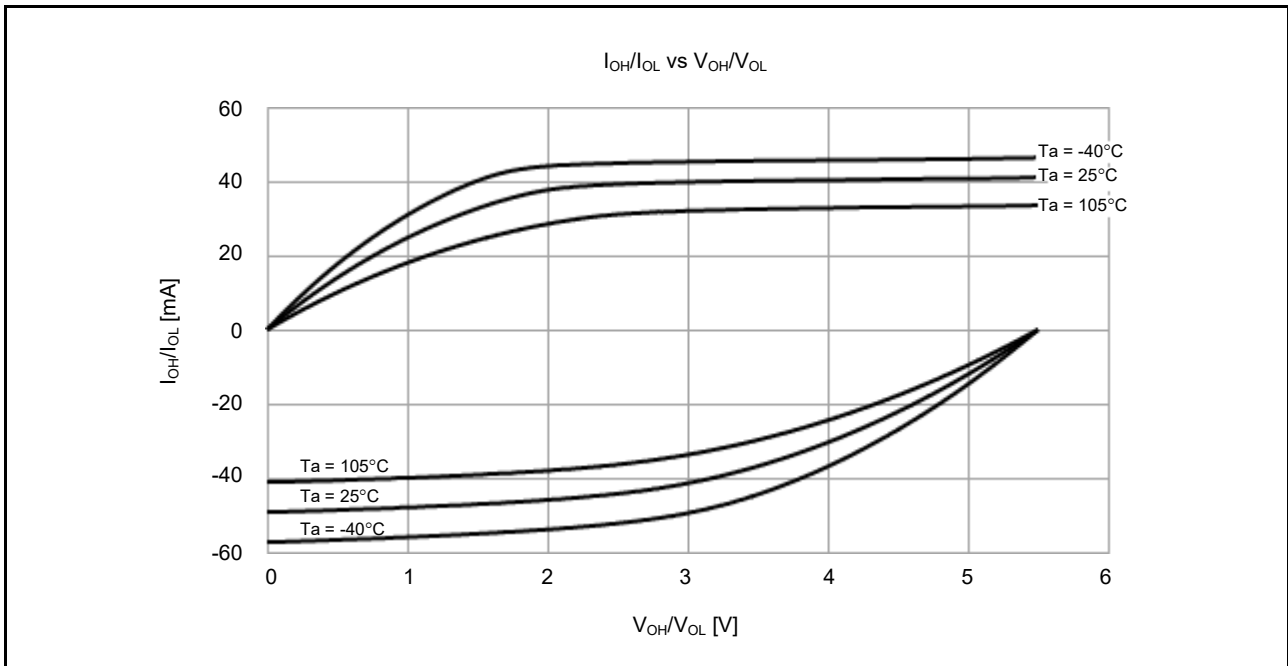
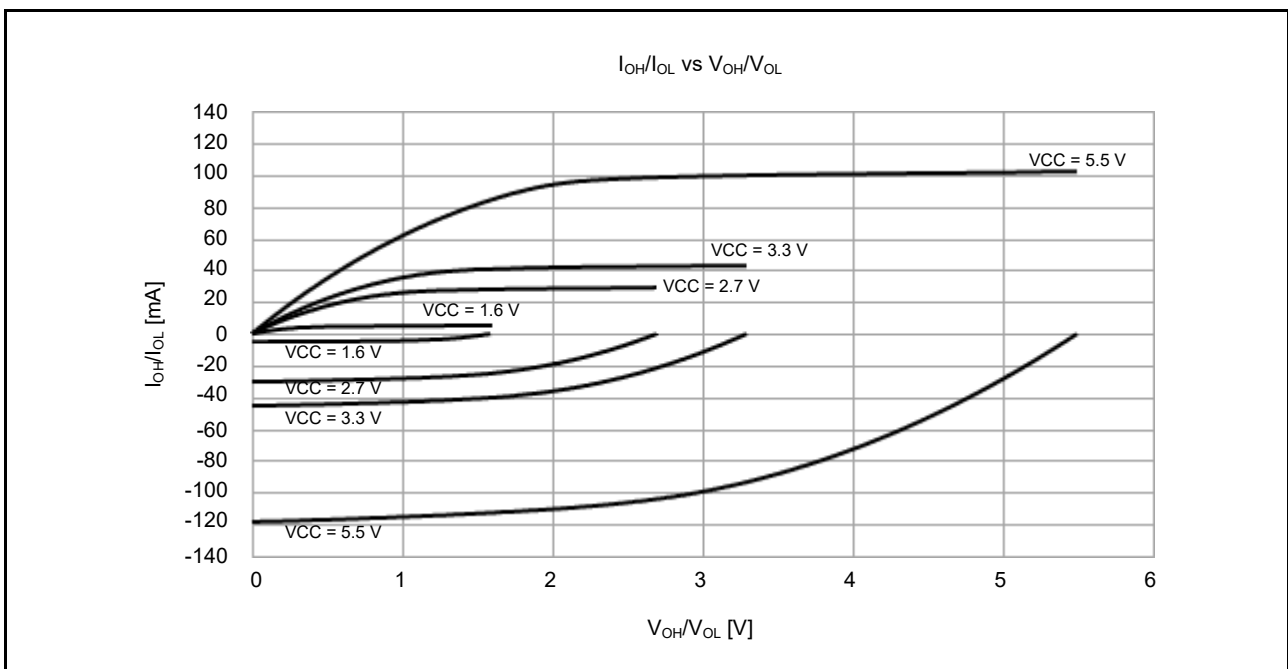


Figure 2.5  $V_{OH}/V_{OL}$  and  $I_{OH}/I_{OL}$  temperature characteristics at  $V_{CC} = 3.3$  V when low drive output is selected (reference data, except for P914 and P915)

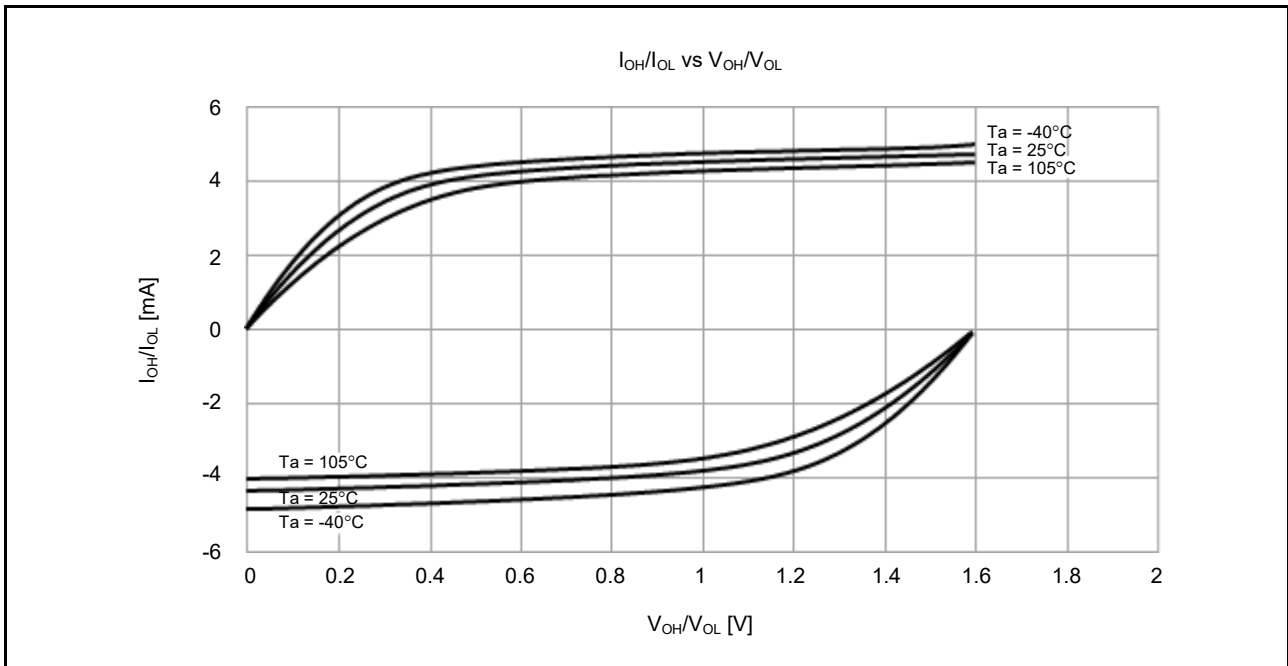


**Figure 2.6**  $V_{OH}/V_{OL}$  and  $I_{OH}/I_{OL}$  temperature characteristics at  $V_{CC} = 5.5\text{ V}$  when low drive output is selected (reference data, except for P914 and P915)

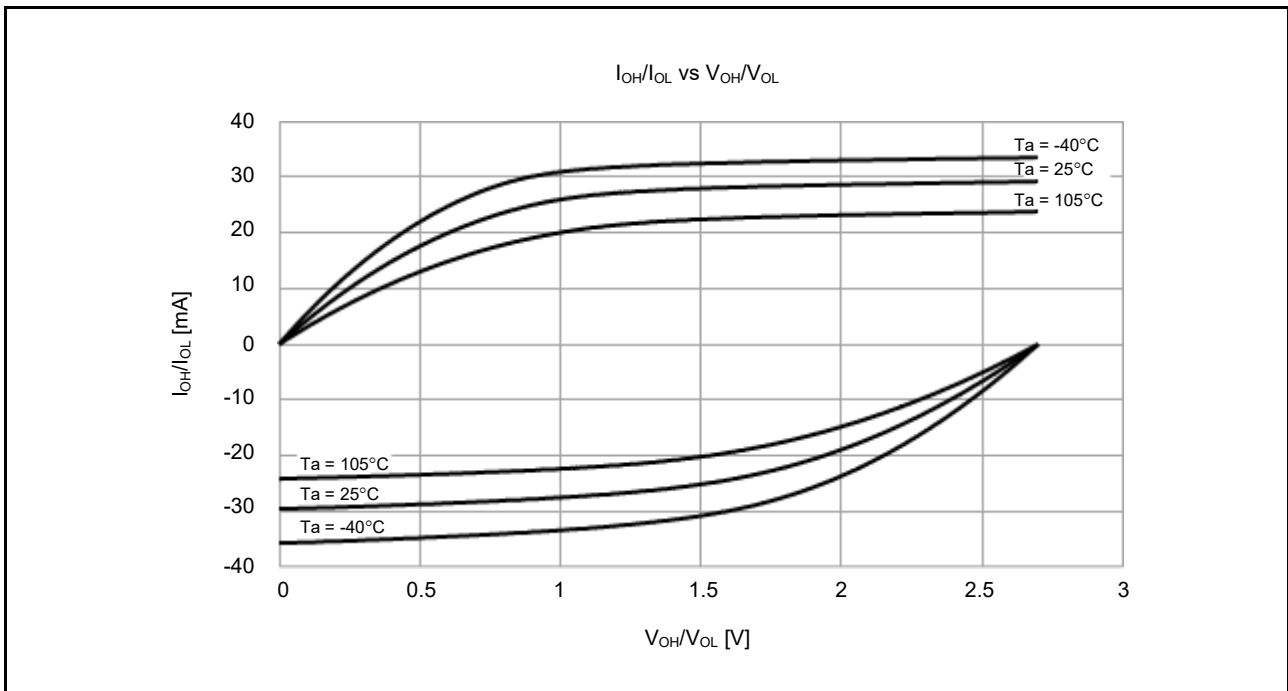
2.2.6 Output Characteristics for I/O Pins (Middle Drive Capacity)



**Figure 2.7**  $V_{OH}/V_{OL}$  and  $I_{OH}/I_{OL}$  voltage characteristics at  $T_a = 25^\circ\text{C}$  when middle drive output is selected (reference data, except for P914 and P915)



**Figure 2.8**  $V_{OH}/V_{OL}$  and  $I_{OH}/I_{OL}$  temperature characteristics at  $V_{CC} = 1.6$  V when middle drive output is selected (reference data, except for P914 and P915)



**Figure 2.9**  $V_{OH}/V_{OL}$  and  $I_{OH}/I_{OL}$  temperature characteristics at  $V_{CC} = 2.7$  V when middle drive output is selected (reference data, except for P914 and P915)

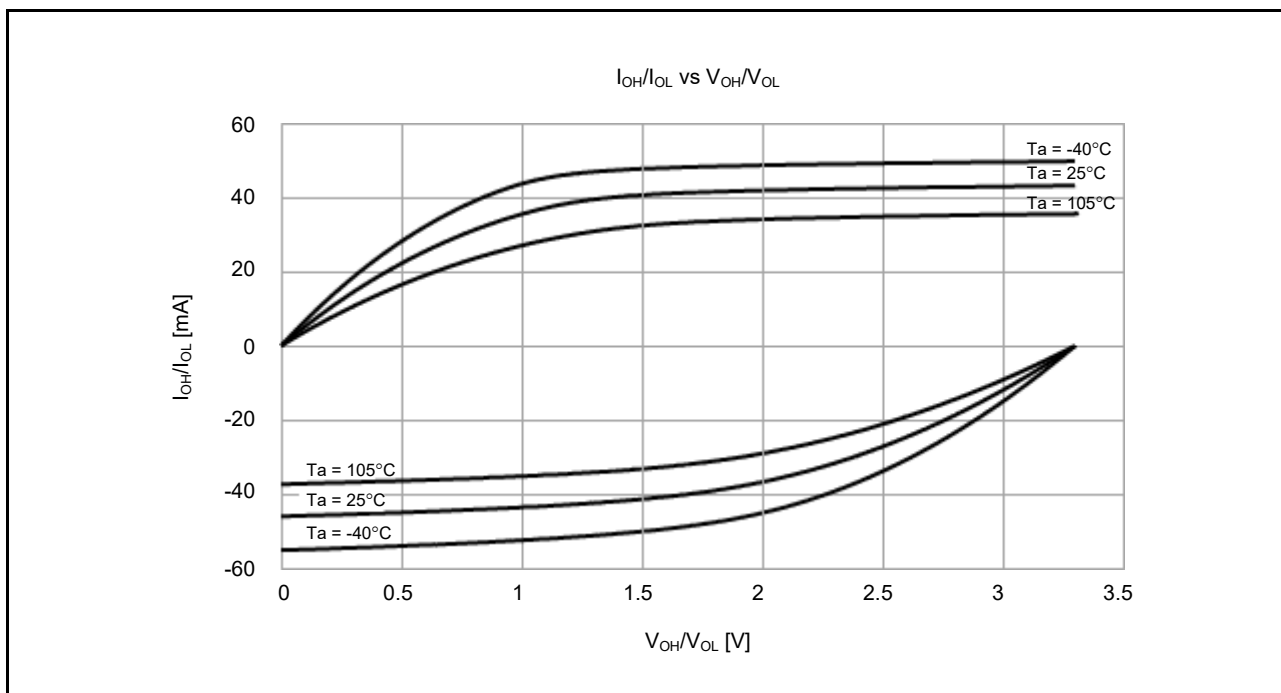


Figure 2.10  $V_{OH}/V_{OL}$  and  $I_{OH}/I_{OL}$  temperature characteristics at  $V_{CC} = 3.3$  V when middle drive output is selected (reference data, except for P914 and P915)

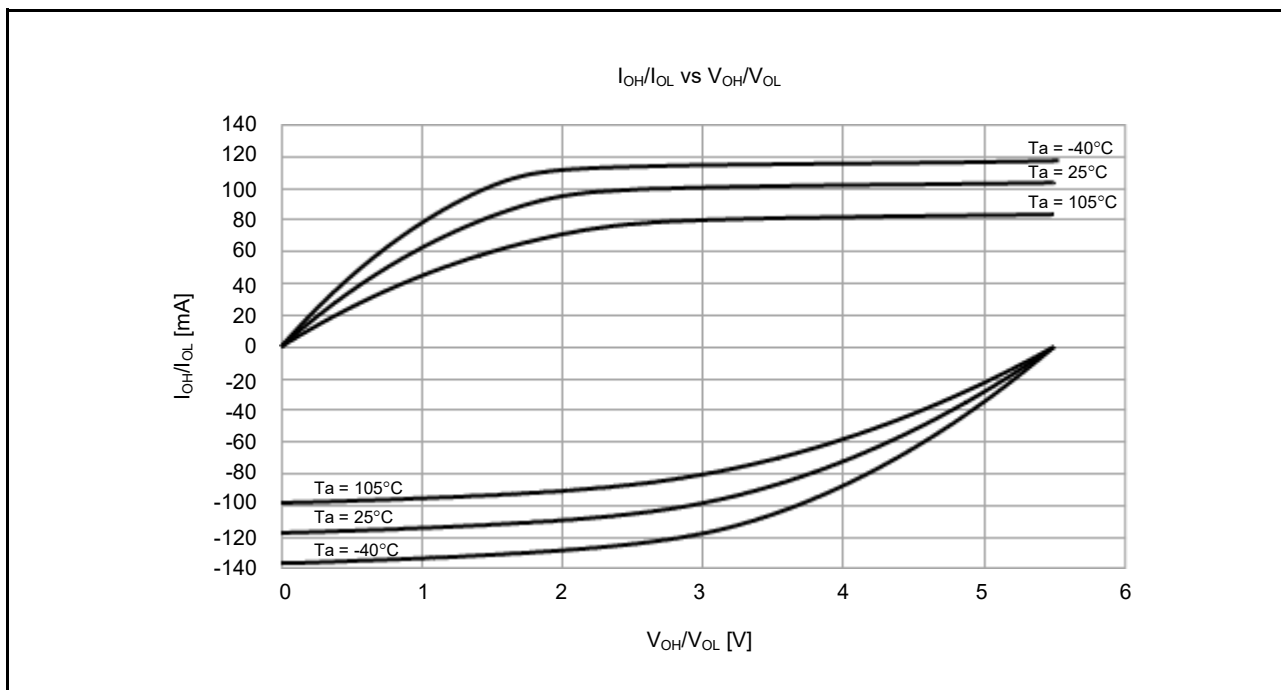


Figure 2.11  $V_{OH}/V_{OL}$  and  $I_{OH}/I_{OL}$  temperature characteristics at  $V_{CC} = 5.5$  V when middle drive output is selected (reference data, except for P914 and P915)

2.2.7 Output Characteristics for P407, P408 and P409 I/O Pins (Middle Drive Capacity)

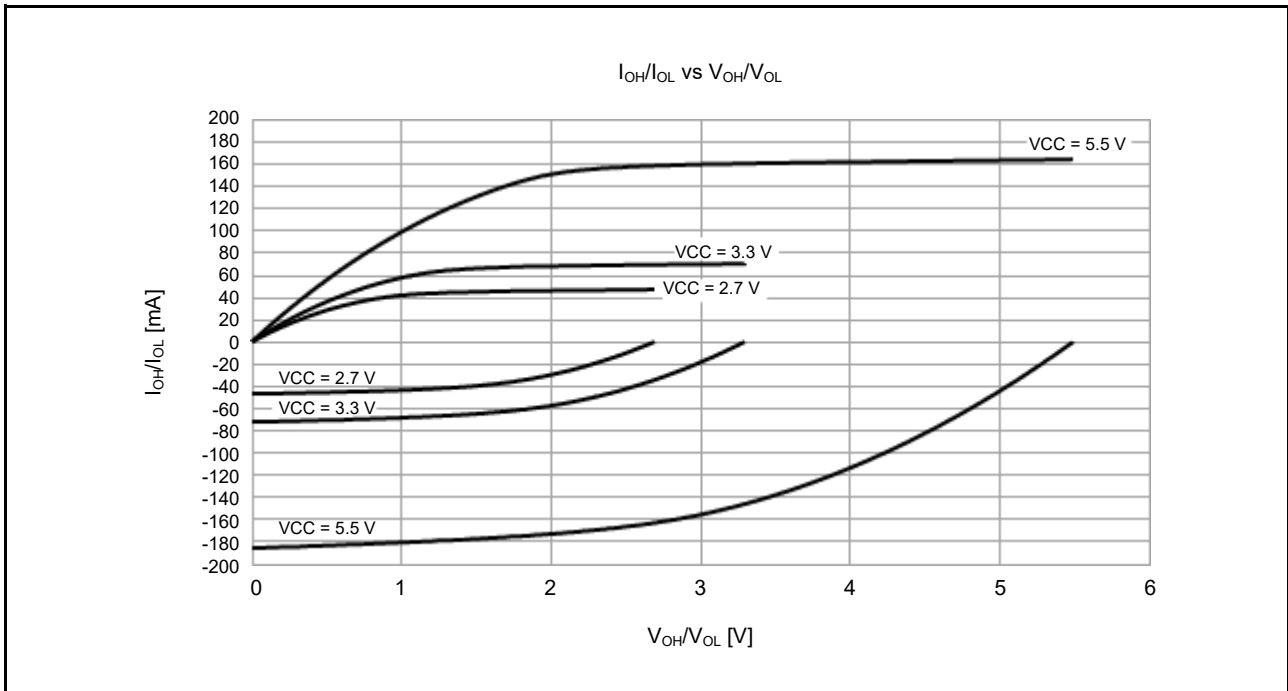


Figure 2.12 V<sub>OH/V<sub>OL</sub></sub> and I<sub>OH/I<sub>OL</sub></sub> voltage characteristics at Ta = 25°C when middle drive output is selected (reference data)

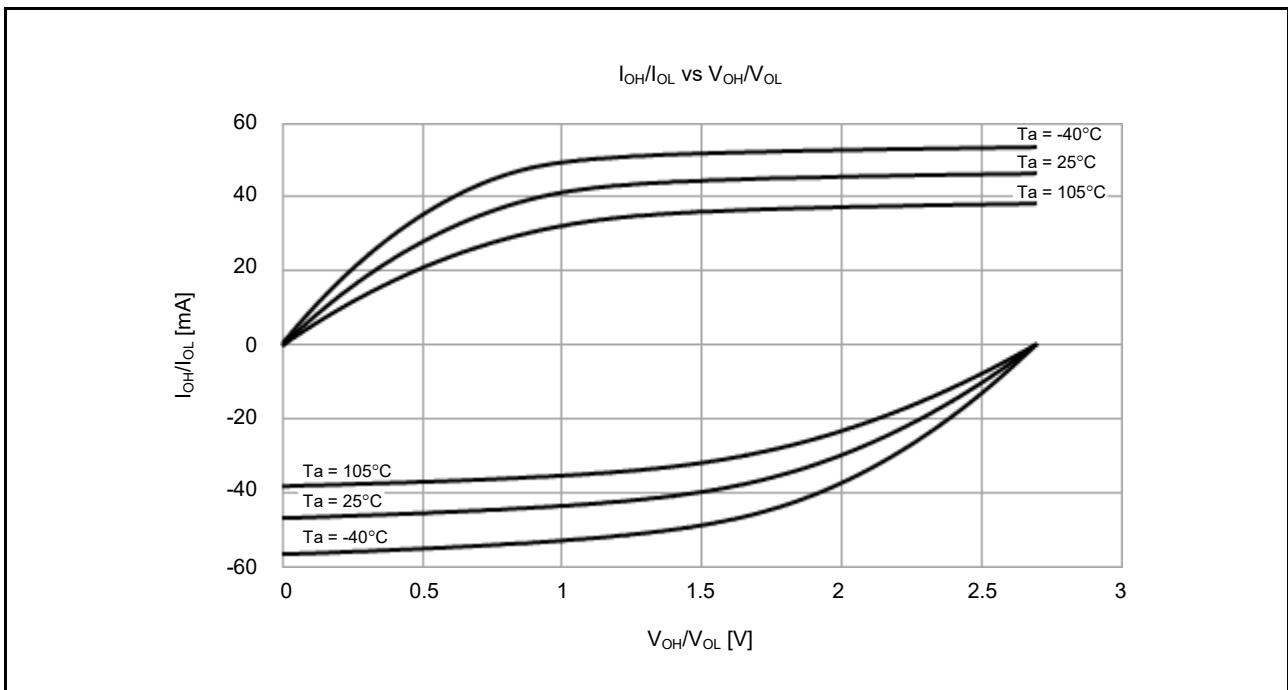


Figure 2.13 V<sub>OH/V<sub>OL</sub></sub> and I<sub>OH/I<sub>OL</sub></sub> temperature characteristics at VCC = 2.7 V when middle drive output is selected (reference data)



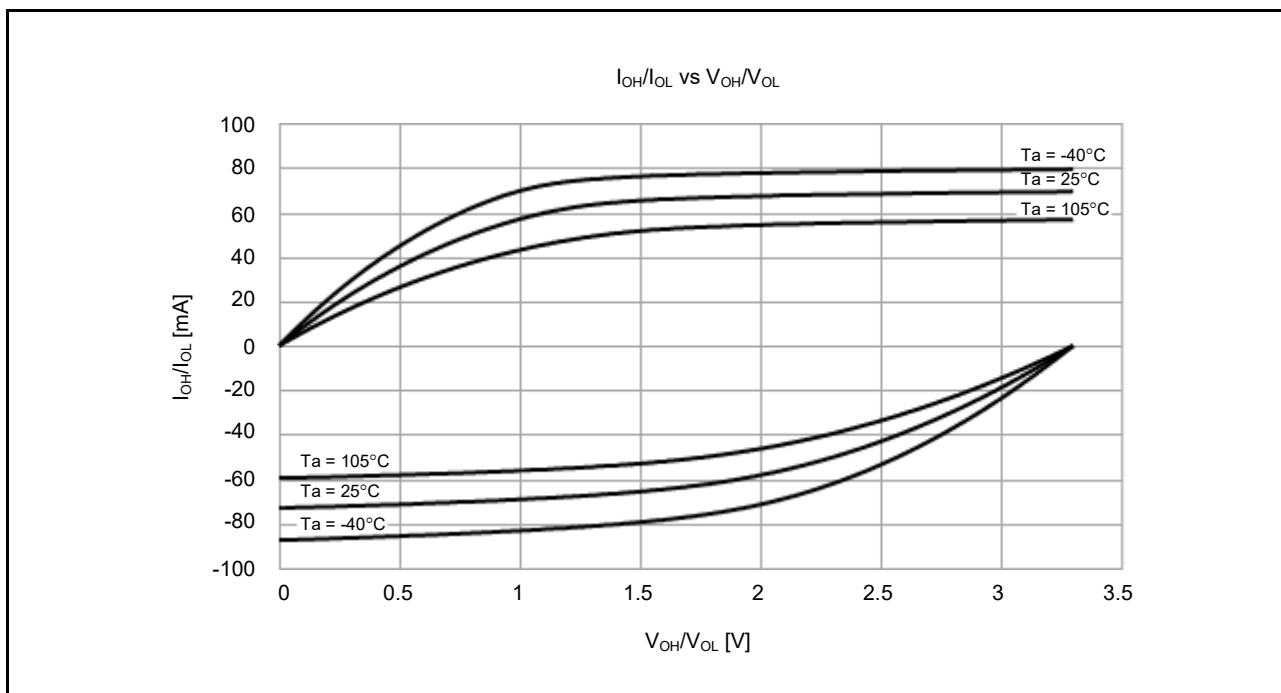


Figure 2.14  $V_{OH}/V_{OL}$  and  $I_{OH}/I_{OL}$  temperature characteristics at  $V_{CC} = 3.3$  V when middle drive output is selected (reference data)

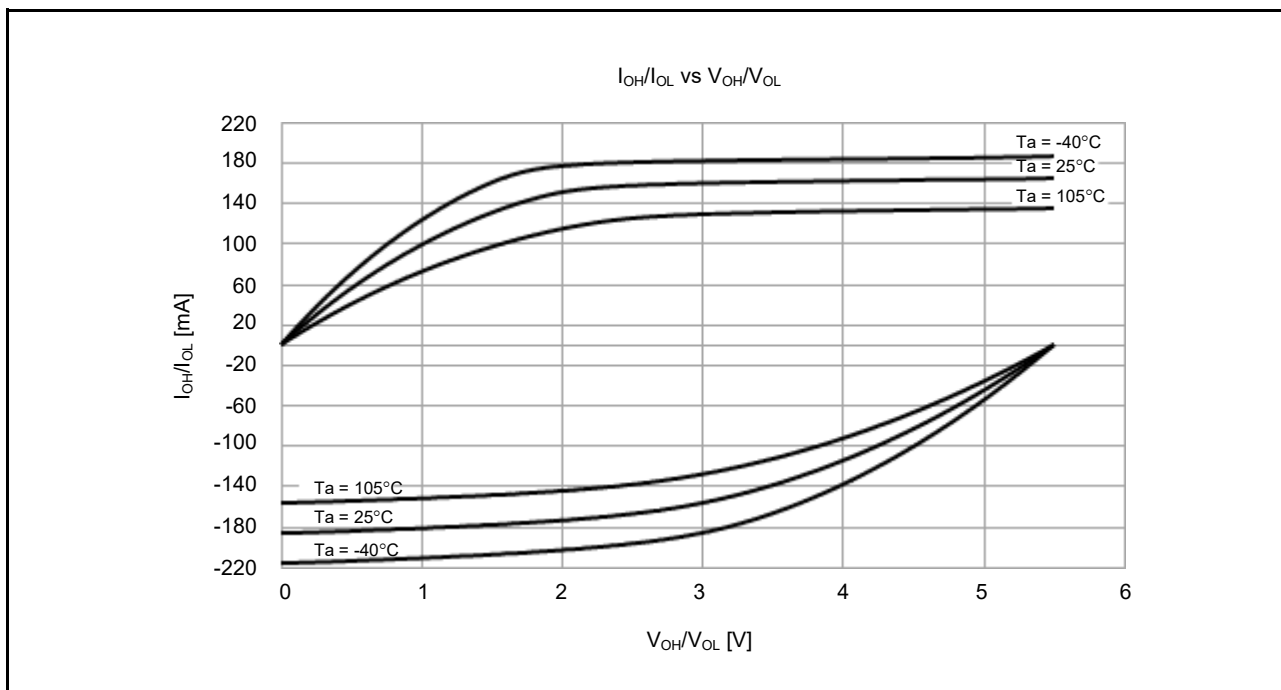


Figure 2.15  $V_{OH}/V_{OL}$  and  $I_{OH}/I_{OL}$  temperature characteristics at  $V_{CC} = 5.5$  V when middle drive output is selected (reference data)

2.2.8 Output Characteristics for IIC I/O Pins

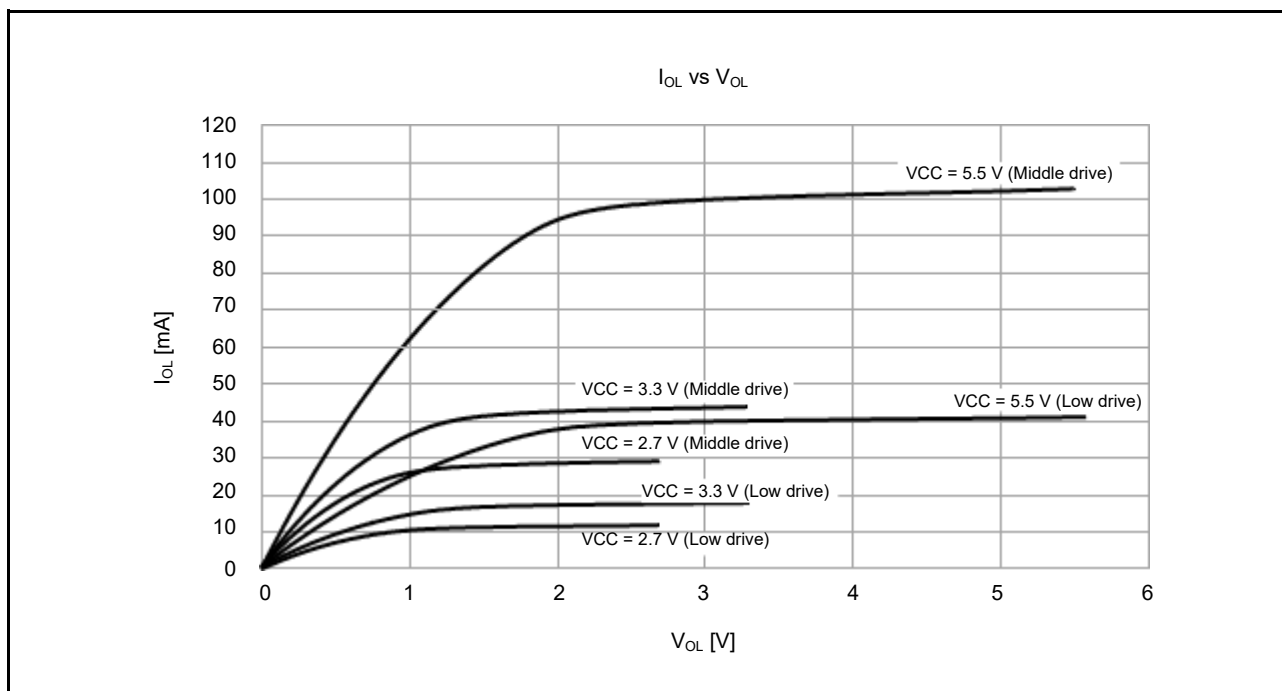


Figure 2.16  $V_{OH}/V_{OL}$  and  $I_{OH}/I_{OL}$  voltage characteristics at  $T_a = 25^\circ\text{C}$

## 2.2.9 Operating and Standby Current

**Table 2.10 Operating and standby current (1) (1 of 2)**

Conditions: VCC = AVCC0 = AVCC1 = 1.6 to 5.5 V

Parameter				Symbol	Typ*10	Max	Unit	Test Conditions					
Supply current*1	High-speed mode*2	Normal mode	All peripheral clocks disabled, while (1) code executing from flash*5	ICLK = 48 MHz	I <sub>CC</sub>	5.2	-	mA	*7, *11				
				ICLK = 32 MHz		3.8	-						
				ICLK = 16 MHz		2.3	-						
				ICLK = 8 MHz		1.6	-						
			All peripheral clocks disabled, CoreMark code executing from flash*5	ICLK = 48 MHz		12.1	-						
				ICLK = 32 MHz		8.3	-						
				ICLK = 16 MHz		4.6	-						
				ICLK = 8 MHz		2.8	-						
			All peripheral clocks enabled, while (1) code executing from flash*5	ICLK = 48 MHz		12.6	-			*9, *11			
				ICLK = 32 MHz		10.9	-			*8, *11			
				ICLK = 16 MHz		5.9	-						
				ICLK = 8 MHz		3.4	-						
			All peripheral clocks enabled, code executing from flash*5	ICLK = 48 MHz		-	28.5			*9, *11			
				Sleep mode		All peripheral clocks disabled*5	ICLK = 48 MHz			2.7	-	*7	
							ICLK = 32 MHz			2.1	-		
							ICLK = 16 MHz			1.5	-		
				ICLK = 8 MHz	1.1		-						
				All peripheral clocks enabled*5	ICLK = 48 MHz	9.8	-	*9					
					ICLK = 32 MHz	8.9	-	*8					
					ICLK = 16 MHz	5.0	-						
		ICLK = 8 MHz	2.9		-								
		Increase during BGO operation*6		2.5	-	-							
Middle-speed mode*2	Normal mode	All peripheral clocks disabled, while (1) code executing from flash*5	ICLK = 12 MHz	I <sub>CC</sub>	1.6	-	mA	*7, *11					
			ICLK = 8 MHz		1.3	-							
			All peripheral clocks disabled, CoreMark code executing from flash*5		ICLK = 12 MHz	3.4			-				
					ICLK = 8 MHz	2.6			-				
			All peripheral clocks enabled, while (1) code executing from flash*5		ICLK = 12 MHz	4.3			-	*8, *11			
					ICLK = 8 MHz	3.1			-				
			All peripheral clocks enabled, code executing from flash*5		ICLK = 12 MHz	-			12.6				
					Sleep mode				All peripheral clocks disabled*5	ICLK = 12 MHz	1.0	-	*7
					ICLK = 8 MHz	0.9				-			
		All peripheral clocks enabled*5	ICLK = 12 MHz		3.6	-				*8			
			ICLK = 8 MHz		2.7	-							
					Increase during BGO operation*6				2.5	-	-		

**Table 2.10 Operating and standby current (1) (2 of 2)**

Conditions: VCC = AVCC0 = AVCC1 = 1.6 to 5.5 V

Parameter					Symbol	Typ*10	Max	Unit	Test Conditions
Supply current*1	Low-speed mode*3	Normal mode	All peripheral clocks disabled, while (1) code executing from flash*5	ICLK = 1 MHz	I <sub>CC</sub>	0.3	-	mA	*7, *11
			All peripheral clocks disabled, CoreMark code executing from flash*5	ICLK = 1 MHz		0.4	-		
			All peripheral clocks enabled, while (1) code executing from flash*5	ICLK = 1 MHz		0.5	-		*8, *11
			All peripheral clocks enabled, code executing from flash*5	ICLK = 1 MHz		-	2.5		
		Sleep mode	All peripheral clocks disabled*5	ICLK = 1 MHz		0.2	-	*7	
			All peripheral clocks enabled*5	ICLK = 1 MHz		0.4	-	*8	
	Low-voltage mode*3	Normal mode	All peripheral clocks disabled, while (1) code executing from flash*5	ICLK = 4 MHz	I <sub>CC</sub>	1.5	-	mA	*7, *11
			All peripheral clocks disabled, CoreMark code executing from flash*5	ICLK = 4 MHz		2.2	-		
			All peripheral clocks enabled, while (1) code executing from flash*5	ICLK = 4 MHz		2.5	-		*8, *11
			All peripheral clocks enabled, code executing from flash*5	ICLK = 4 MHz		-	7.0		
Sleep mode		All peripheral clocks disabled*5	ICLK = 4 MHz	1.3		-	*7		
		All peripheral clocks enabled*5	ICLK = 4 MHz	2.3		-	*8		
Subosc-speed mode*4	Normal mode	All peripheral clocks disabled, while (1) code executing from flash*5	ICLK = 32.768 kHz	I <sub>CC</sub>	6.5	-	μA	*8, *11	
		All peripheral clocks enabled, while (1) code executing from flash*5	ICLK = 32.768 kHz		12.1	-			
		All peripheral clocks enabled, code executing from flash*5	ICLK = 32.768 kHz		-	190.0			
	Sleep mode	All peripheral clocks disabled*5	ICLK = 32.768 kHz		4.5	-	*8		
		All peripheral clocks enabled*5	ICLK = 32.768 kHz		10.2	-	*8		

Note 1. Supply current values do not include output charge/discharge current from all pins. The values apply when internal pull-up MOSs are in the off state.

Note 2. The clock source is HOCO.

Note 3. The clock source is MOCO.

Note 4. The clock source is the sub-clock oscillator.

Note 5. This does not include BGO operation.

Note 6. This is the increase for programming or erasure of the flash memory for data storage during program execution.

Note 7. FCLK, PCLKB, and PCLKD are set to divided by 64.

Note 8. FCLK, PCLKB, and PCLKD are the same frequency as that of ICLK.

Note 9. FCLK and PCLKB are set to be divided by 2 and PCLKD is the same frequency as that of ICLK.

Note 10. VCC = 3.3 V.

Note 11. The flash cache is operating.

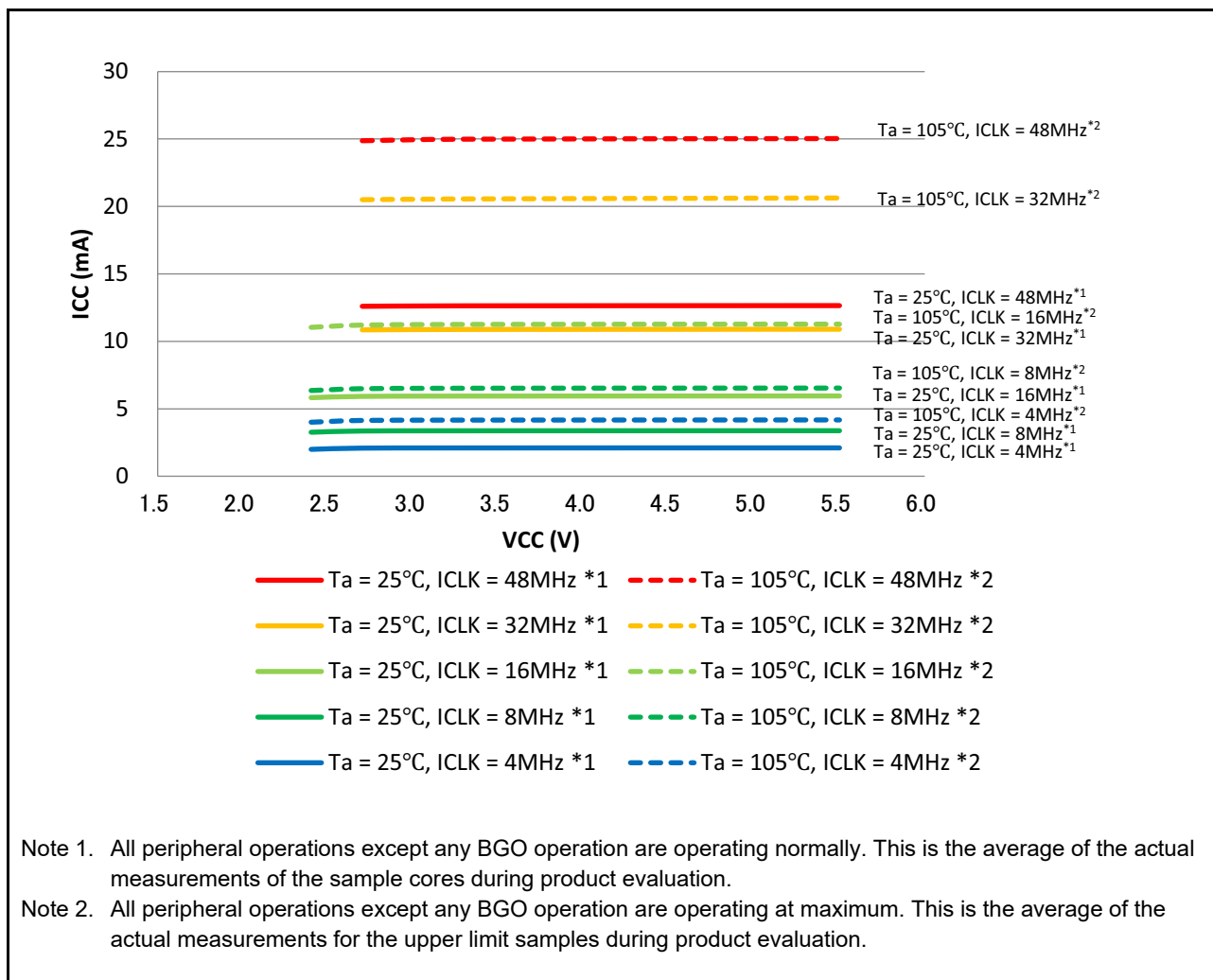


Figure 2.17 Voltage dependency in high-speed operating mode (reference data)

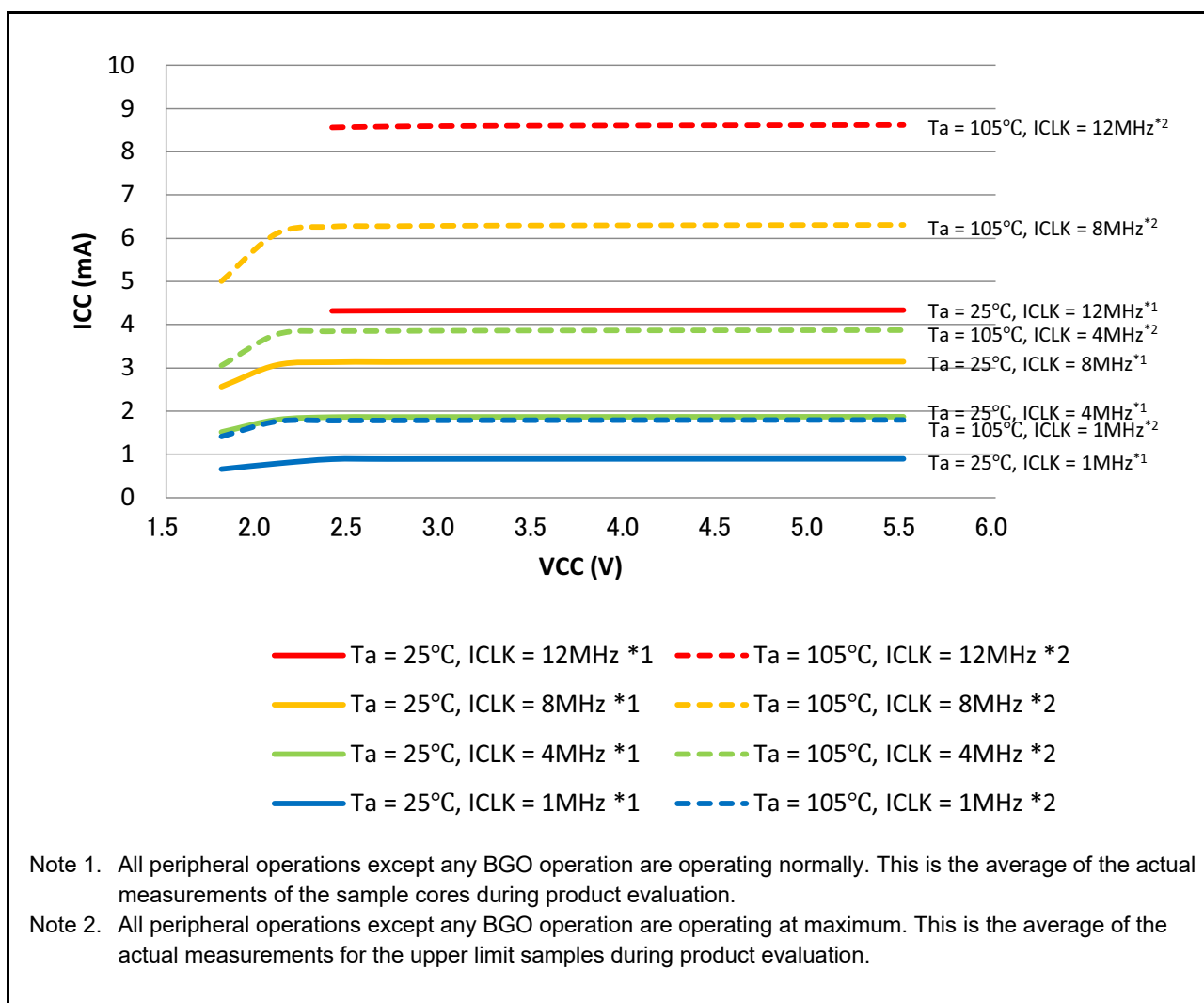


Figure 2.18 Voltage dependency in middle-speed operating mode (reference data)

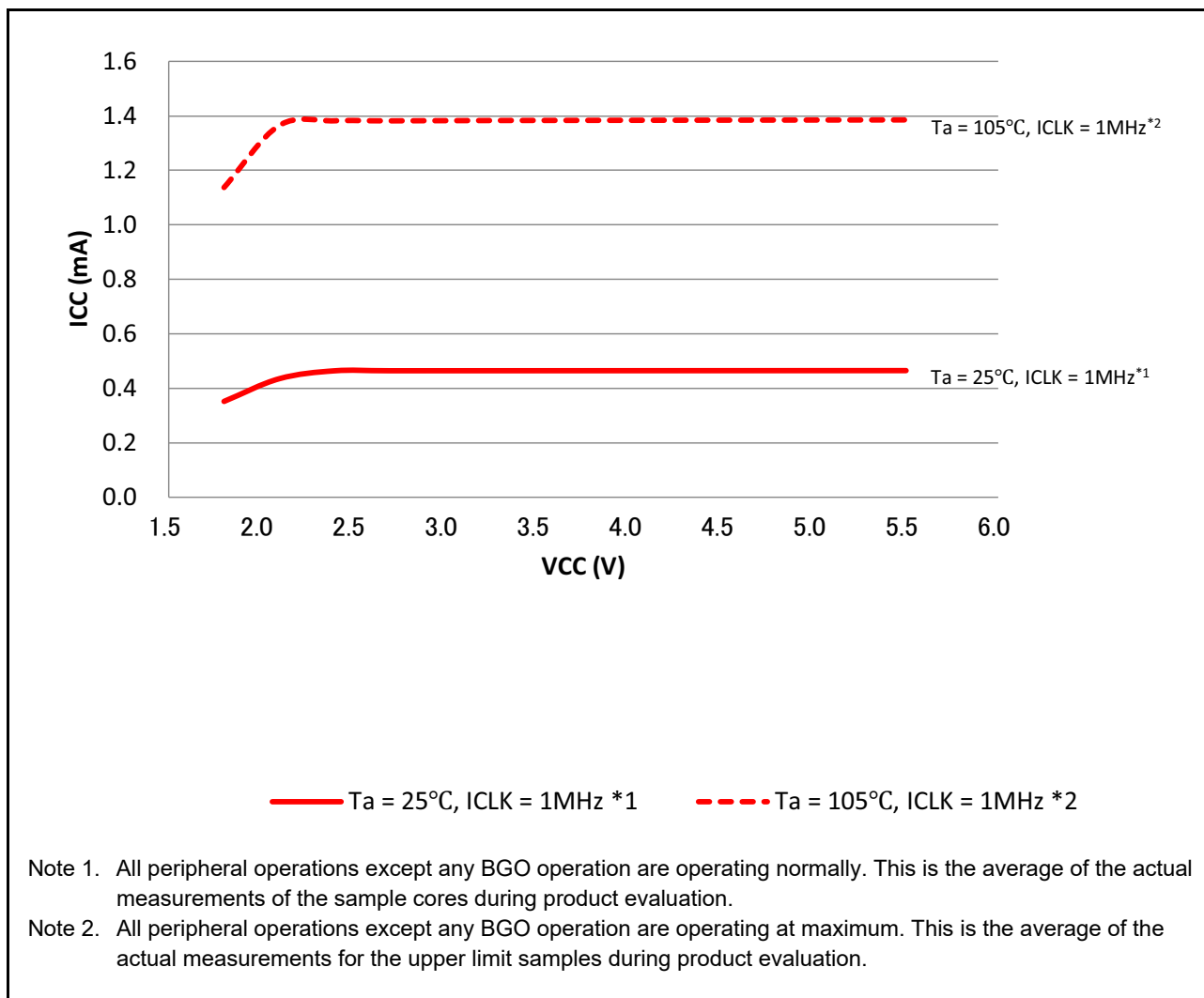


Figure 2.19 Voltage dependency in low-speed operating mode (reference data)

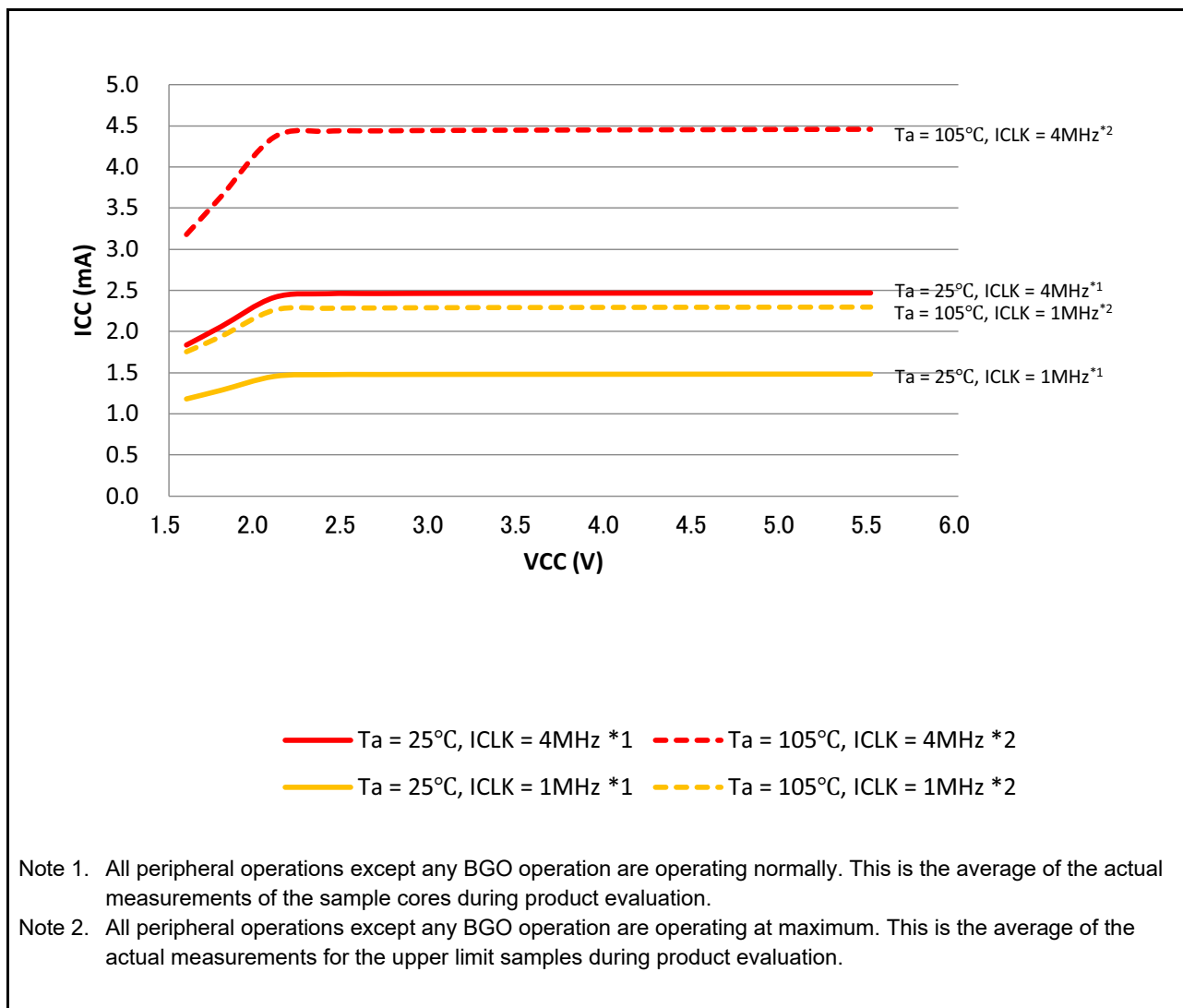


Figure 2.20 Voltage dependency in low-voltage operating mode (reference data)



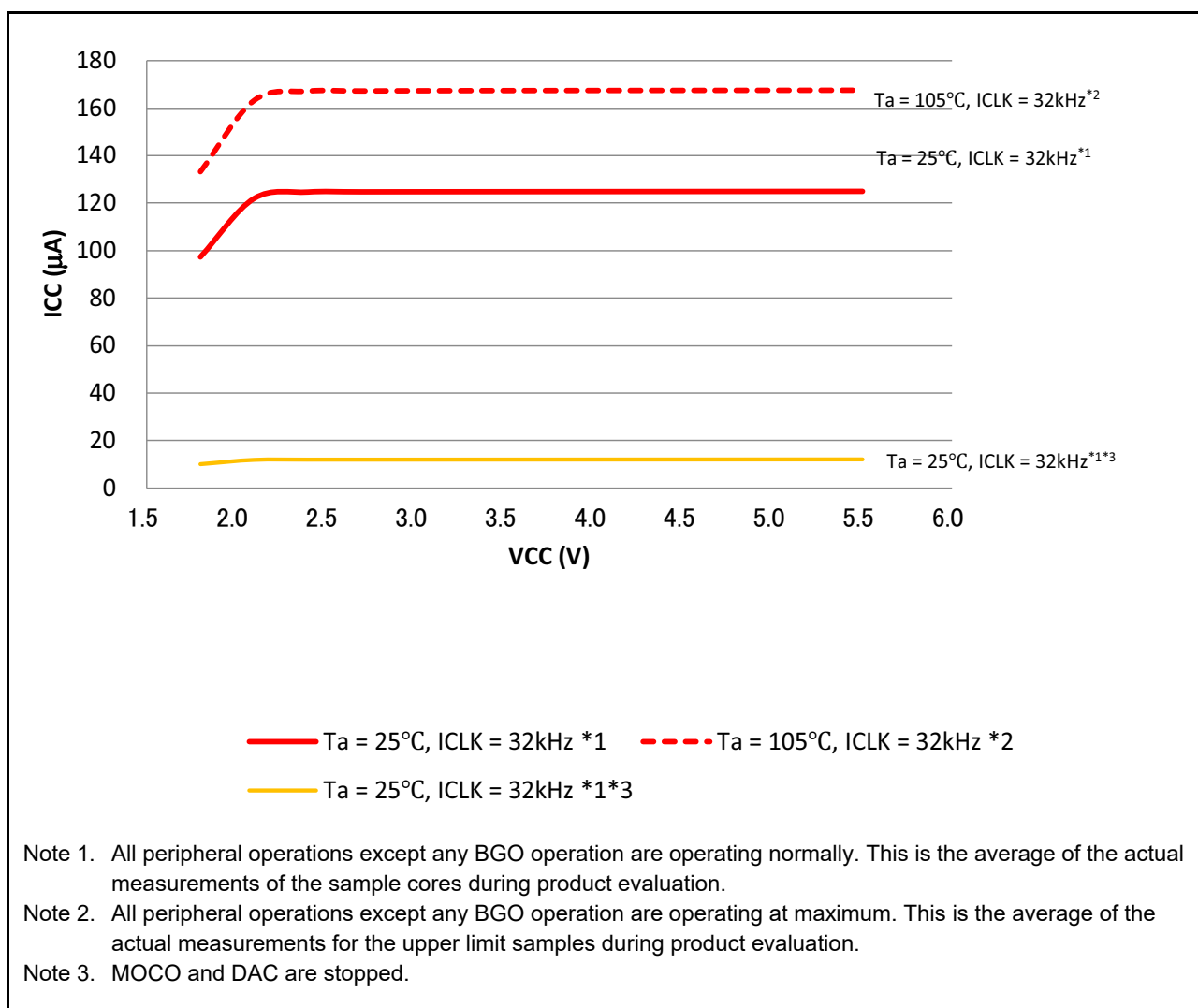


Figure 2.21 Voltage dependency in subosc-speed operating mode (reference data)

Table 2.11 Operating and standby current (2)

Conditions: VCC = AVCC0 = AVCC1 = 1.6 to 5.5 V

Parameter	Symbol	Typ*3	Max	Unit	Test conditions		
Supply current*1	Software Standby mode*2	T <sub>a</sub> = 25°C	I <sub>CC</sub>	0.5	2.0	µA	-
		T <sub>a</sub> = 55°C	0.8	7.0			
		T <sub>a</sub> = 85°C	1.8	17.0			
		T <sub>a</sub> = 105°C	4.4	45.0			
	Increment for RTC operation with low-speed on-chip oscillator*4		0.4	-	-		
	Increment for RTC operation with sub-clock oscillator*4		0.5	-	SOMCR.SODRV[1:0] are 11b (Low power mode 3)		
			1.3	-	SOMCR.SODRV[1:0] are 00b (normal mode)		

Note 1. Supply current values do not include output charge/discharge current from all pins. The values apply when internal pull-up MOS transistors are in the off state.

Note 2. The IWDT and LVD are not operating.

Note 3. VCC = 3.3 V.

Note 4. Includes the low-speed on-chip oscillator or sub-oscillation circuit current.

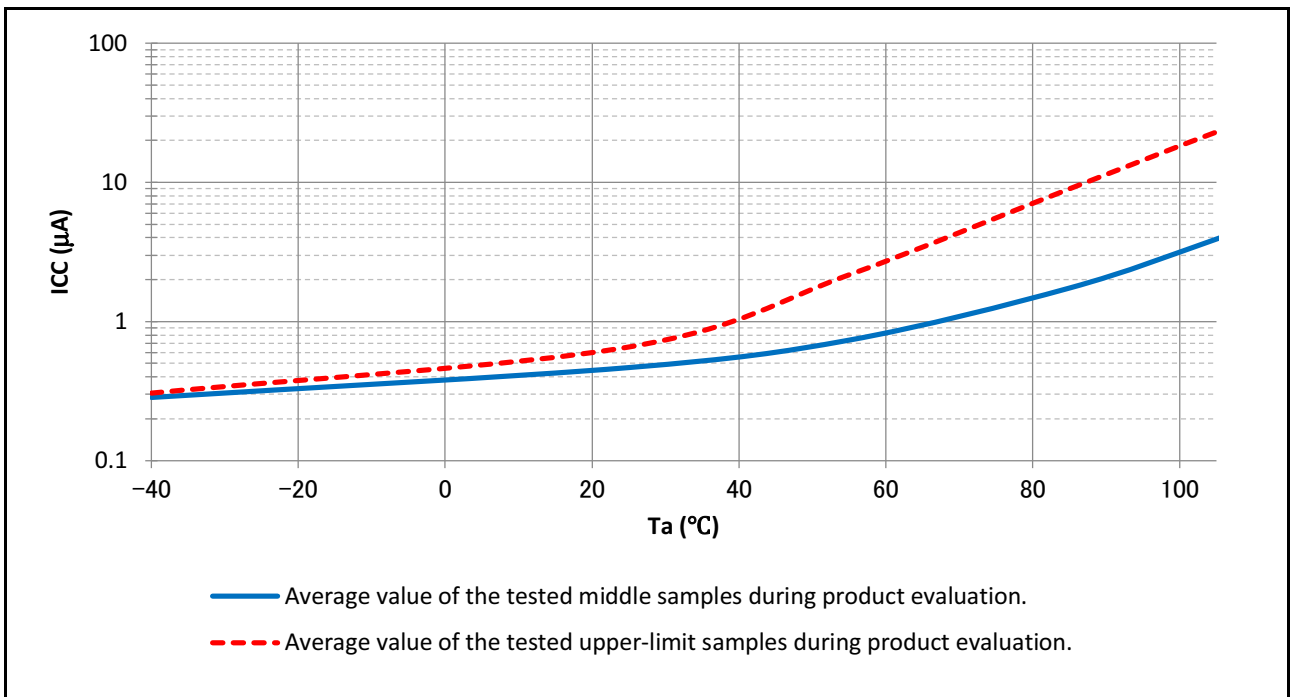


Figure 2.22 Temperature dependency in Software Standby mode (reference data)

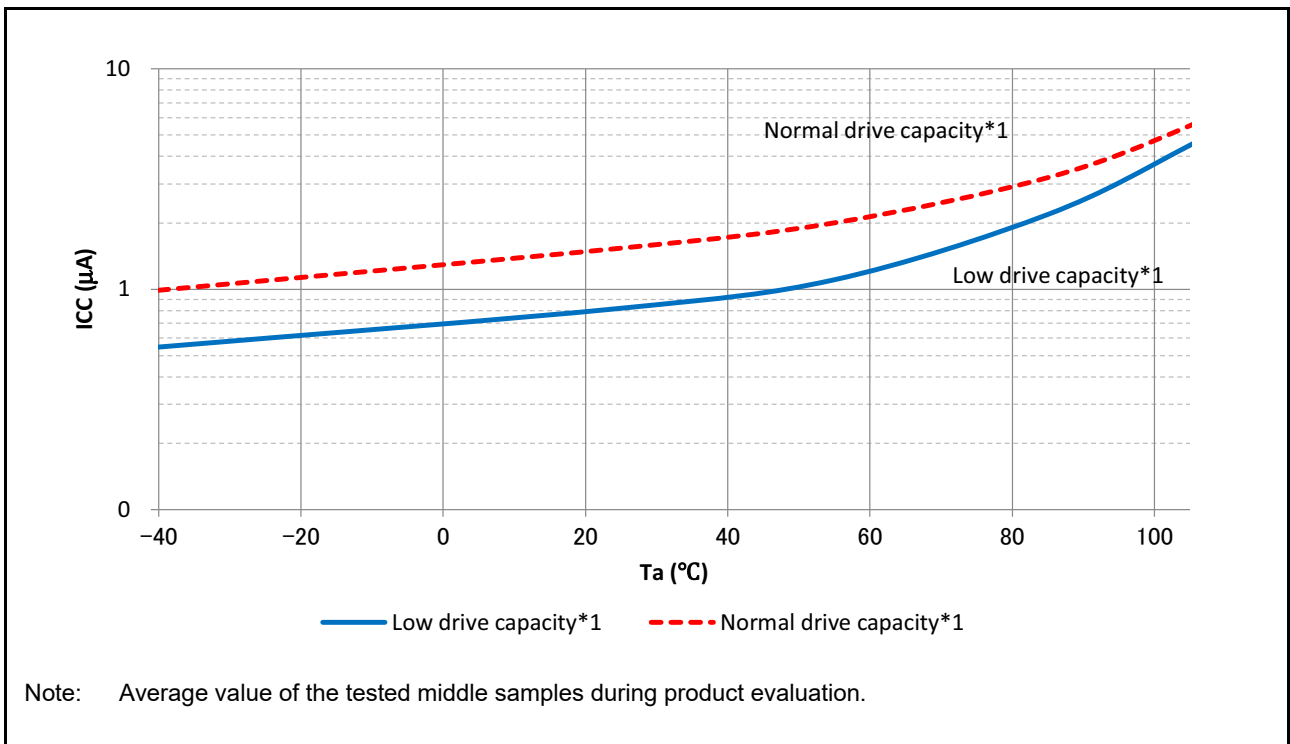


Figure 2.23 Temperature dependency of RTC operation (reference data)

**Table 2.12 Operating and standby current (3)**

Conditions: VCC = AVCC0 = AVCC1 = 1.6 to 5.5 V

Parameter		Symbol	Min	Typ	Max	Unit	Test conditions	
Analog power supply current	During 16-bit A/D conversion	I <sub>AVCC0</sub>	-	-	1.5	mA	-	
	During 8-bit D/A conversion (per channel) *1		-	-	1.6	mA	-	
	During 12-bit D/A conversion (per channel) *1		-	-	0.9	mA	-	
	Waiting for 16-bit A/D, 8-bit D/A and 12-bit D/A conversion (all units) *5		-	-	2.0	μA	-	
	During 24-bit sigma-delta A/D conversion (at normal mode)	I <sub>AVCC1</sub>	-	-	1.29	mA	-	
	During 24-bit sigma-delta A/D conversion (at low-power conversion)		-	-	1.06	mA	G <sub>SET1</sub> = 8, or G <sub>TOTAL</sub> = 24,32	
	Waiting for 24-bit sigma-delta A/D conversion*6		-	-	0.9	mA	G <sub>SET1</sub> , G <sub>TOTAL</sub> = the others	
			-	-	1.0	μA	-	
Reference power supply current	During 16-bit A/D conversion	I <sub>REFH0</sub>	-	-	80	μA	-	
	Waiting for 16-bit A/D conversion		-	-	60	nA	-	
	During 12-bit D/A conversion	I <sub>REFH</sub>	-	-	650	μA	-	
	Waiting for 12-bit D/A conversion		-	-	100	nA	-	
	During 24-bit sigma-delta A/D conversion	I <sub>REFI</sub>	-	-	30	μA	External VREF mode	
Temperature Sensor (TSN) operating current	I <sub>TNS</sub>	-	75	-	μA	-		
Low-power Analog Comparator (ACMPLP) operating current	Window comparator (high-speed mode)	I <sub>CMPLP</sub>	-	15	-	μA	-	
	Comparator (high-speed mode)		-	10	-	μA	-	
	Comparator (low-speed mode)		-	2	-	μA	-	
High-speed analog comparator (ACMPHS) operating current	I <sub>CPMHS</sub>	-	70	100	μA	AVCC0 ≥ 2.7 V		
Operational Amplifier (OPAMP) operating current	Low power mode	I <sub>AMP</sub>	1 unit operating	-	10	16	μA	-
			2 unit operating	-	19	30	μA	-
			3 unit operating	-	28	44	μA	-
	Middle speed mode		1 unit operating	-	280	360	μA	-
			2 unit operating	-	530	690	μA	-
			3 unit operating	-	770	1020	μA	-
	High speed mode		1 unit operating	-	0.74	0.91	mA	-
			2 unit operating	-	1.41	1.74	mA	-
			3 unit operating	-	2.07	2.57	mA	-
Internal reference voltage for ADC16 operating current	I <sub>VREFADC</sub>	-	65	130	μA	-		
USBFS operating current	During USB communication under the following settings and conditions: • Function controller is in Full-Speed mode and - Bulk OUT transfer is (64 bytes) × 1 - Bulk IN transfer is (64 bytes) × 1 • Host device is connected by a 1-meter USB cable from the USB port.	I <sub>USBF</sub> *2	-	3.6 (VCC) 1.1 (VCC_USB)*4	-	mA	-	
	During suspended state under the following setting and conditions: • Function controller is in Full-Speed mode (the USB_DP pin is pulled up) • Software Standby mode • Host device is connected through a 1-meter USB cable from the USB port.	I <sub>SUSP</sub> *3	-	0.35 (VCC) 170 (VCC_USB)*4	-	μA	-	

Note 1. The reference power supply current is included in the power supply current value for D/A conversion.

Note 2. Current is consumed only by the USBFS.

Note 3. Includes the current supplied from the pull-up resistor of the USB\_DP pin to the pull-down resistor of the host device, in addition to the current consumed by the MCU in the suspended state.

Note 4. When VCC = VCC\_USB = 3.3 V.

Note 5. When the MCU is in Software Standby mode or the MSTPCRD.MSTPD16 (ADC160 module-stop bit) is in the module-stop

state.

Note 6. When the MCU is in the MSTPCRD.MSTPD17 (SDADC24 module-stop bit) is in the module-stop state.

## 2.2.10 VCC Rise and Fall Gradient and Ripple Frequency

**Table 2.13 Rise and fall gradient characteristics**

Conditions: VCC = AVCC0 = AVCC1 = 0 to 5.5 V

Parameter		Symbol	Min	Typ	Max	Unit	Test conditions
Power-on VCC rising gradient	Voltage monitor 0 reset disabled at startup	SrVCC	0.02	-	2	ms/V	-
	Voltage monitor 0 reset enabled at startup*1, *2				-		
	SCI/USB boot mode*2				2		

Note 1. When OFS1.LVDAS = 0.

Note 2. At boot mode, the reset from voltage monitor 0 is disabled regardless of the value of OFS1.LVDAS bit.

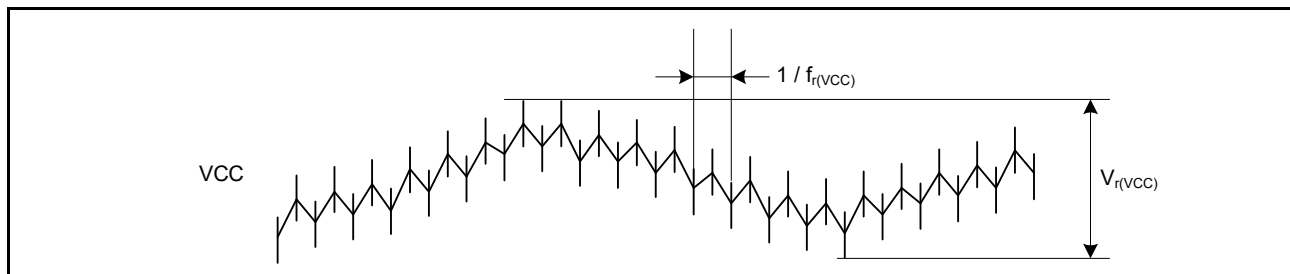
**Table 2.14 Rising and falling gradient and ripple frequency characteristics**

Conditions: VCC = AVCC0 = AVCC1 = 1.6 to 5.5 V

The ripple voltage must meet the allowable ripple frequency  $f_{r(VCC)}$  within the range between the VCC upper limit (5.5 V) and lower limit (1.6 V).

When the VCC change exceeds VCC  $\pm$  10%, the allowable voltage change rising and falling gradient dt/dVCC must be met.

Parameter	Symbol	Min	Typ	Max	Unit	Test conditions
Allowable ripple frequency	$f_{r(VCC)}$	-	-	10	kHz	Figure 2.24 $V_{r(VCC)} \leq VCC \times 0.2$
		-	-	1	MHz	Figure 2.24 $V_{r(VCC)} \leq VCC \times 0.08$
		-	-	10	MHz	Figure 2.24 $V_{r(VCC)} \leq VCC \times 0.06$
Allowable voltage change rising and falling gradient	dt/dVCC	1.0	-	-	ms/V	When VCC change exceeds VCC $\pm$ 10%



**Figure 2.24 Ripple waveform**

## 2.3 AC Characteristics

### 2.3.1 Frequency

**Table 2.15 Operation frequency in high-speed operating mode**

Conditions: VCC = AVCC0 = AVCC1 = 2.4 to 5.5 V

Parameter			Symbol	Min	Typ	Max*7	Unit
Operation frequency	System clock (ICLK)*6	2.7 to 5.5 V	f	0.032768	-	48	MHz
		2.4 to 2.7 V		0.032768	-	16	
	FlashIF clock (FCLK)*1,*2,*6	2.7 to 5.5 V		0.032768	-	32	
		2.4 to 2.7 V		0.032768	-	16	
	Peripheral module clock (PCLKB)*5,*6	2.7 to 5.5 V		-	-	32	
		2.4 to 2.7 V		-	-	16	
	Peripheral module clock (PCLKD)*3,*6	2.7 to 5.5 V		-	-	64*4	
		2.4 to 2.7 V		-	-	16	

- Note 1. The lower-limit frequency of FCLK is 1 MHz while programming or erasing the flash memory. When using FCLK for programming or erasing the flash memory at below 4 MHz, the frequency can be set to 1 MHz, 2 MHz, or 3 MHz. A non-integer frequency such as 1.5 MHz cannot be set.
- Note 2. The frequency accuracy of FCLK must be  $\pm 3.5\%$  during programming or erasing the flash memory. Confirm the frequency accuracy of the clock source.
- Note 3. The lower-limit frequency of PCLKD is 1 MHz when the ADC16 is in use.
- Note 4. The upper-limit frequency of PCLKD is 32 MHz when the ADC16 is in use.
- Note 5. The lower-limit frequency of PCLKB is 1 MHz when the SDADC24 is in use.
- Note 6. See section 9, Clock Generation Circuit in User's Manual for the relationship of frequencies between ICLK, PCLKB, PCLKD, and FCLK.
- Note 7. The maximum value of operation frequency does not include internal oscillator errors. For details on the range for guaranteed operation, see [Table 2.20, Clock timing](#).

**Table 2.16 Operation frequency in middle-speed mode**

Conditions: VCC = AVCC0 = AVCC1 = 1.8 to 5.5 V

Parameter			Symbol	Min	Typ	Max*6	Unit
Operation frequency	System clock (ICLK)*5	2.7 to 5.5 V	f	0.032768	-	12	MHz
		2.4 to 2.7 V		0.032768	-	12	
		1.8 to 2.4 V		0.032768	-	8	
	FlashIF clock (FCLK)*1,*2,*5	2.7 to 5.5 V		0.032768	-	12	
		2.4 to 2.7 V		0.032768	-	12	
		1.8 to 2.4 V		0.032768	-	8	
	Peripheral module clock (PCLKB)*4,*5	2.7 to 5.5 V		-	-	12	
		2.4 to 2.7 V		-	-	12	
		1.8 to 2.4 V		-	-	8	
	Peripheral module clock (PCLKD)*3,*5	2.7 to 5.5 V		-	-	12	
		2.4 to 2.7 V		-	-	12	
		1.8 to 2.4 V		-	-	8	

- Note 1. The lower-limit frequency of FCLK is 1 MHz while programming or erasing the flash memory. When using FCLK for programming or erasing the flash memory at below 4 MHz, the frequency can be set to 1 MHz, 2 MHz, or 3 MHz. A non-integer frequency such as 1.5 MHz cannot be set.
- Note 2. The frequency accuracy of FCLK must be  $\pm 3.5\%$  while programming or erasing the flash memory. Confirm the frequency accuracy of the clock source.
- Note 3. The lower-limit frequency of PCLKD is 1 MHz when the ADC16 is in use.
- Note 4. The lower-limit frequency of PCLKB is 1 MHz when the SDADC24 is in use.
- Note 5. See section 9, Clock Generation Circuit in User's Manual for the relationship of frequencies between ICLK,

PCLKB, PCLKD, and FCLK.

Note 6. The maximum value of operation frequency does not include internal oscillator errors. For details on the range for guaranteed operation, see [Table 2.20, Clock timing](#).

**Table 2.17 Operation frequency in low-speed mode**

Conditions: VCC = AVCC0 = AVCC1 = 1.8 to 5.5 V

Parameter			Symbol	Min	Typ	Max*6	Unit
Operation frequency	System clock (ICKL)*5	1.8 to 5.5 V	f	0.032768	-	1	MHz
	FlashIF clock (FCLK)*1,*2,*5	1.8 to 5.5 V		0.032768	-	1	
	Peripheral module clock (PCLKB)*4,*5	1.8 to 5.5 V		-	-	1	
	Peripheral module clock (PCLKD)*3,*5	1.8 to 5.5 V		-	-	1	

Note 1. The lower-limit frequency of FCLK is 1 MHz while programming or erasing the flash memory.

Note 2. The frequency accuracy of FCLK must be  $\pm 3.5\%$  while programming or erasing the flash memory. Confirm the frequency accuracy of the clock source.

Note 3. The lower-limit frequency of PCLKD is 1 MHz when the ADC16 is in use.

Note 4. The lower-limit frequency of PCLKB is 1 MHz when the SDADC24 is in use.

Note 5. See section 9, Clock Generation Circuit in User's Manual for the relationship of frequencies between ICLK, PCLKB, PCLKD, and FCLK.

Note 6. The maximum value of operation frequency does not include internal oscillator errors. For details on the range for guaranteed operation, see [Table 2.20, Clock timing](#).

**Table 2.18 Operation frequency in low-voltage mode**

Conditions: VCC = AVCC0 = AVCC1 = 1.6 to 5.5 V

Parameter			Symbol	Min	Typ	Max*6	Unit
Operation frequency	System clock (ICKL)*5	1.6 to 5.5 V	f	0.032768	-	4	MHz
	FlashIF clock (FCLK)*1,*2,*5	1.6 to 5.5 V		0.032768	-	4	
	Peripheral module clock (PCLKB)*4,*5	1.6 to 5.5 V		-	-	4	
	Peripheral module clock (PCLKD)*3,*5	1.6 to 5.5 V		-	-	4	

Note 1. The lower-limit frequency of FCLK is 1 MHz while programming or erasing the flash memory. When using FCLK for programming or erasing the flash memory at below 4 MHz, the frequency can be set to 1 MHz, 2 MHz, or 3 MHz. A non-integer frequency such as 1.5 MHz cannot be set.

Note 2. The frequency accuracy of FCLK must be  $\pm 3.5\%$  during programming or erasing the flash memory. Confirm the frequency accuracy of the clock source.

Note 3. The lower-limit frequency of PCLKD is 1 MHz when the ADC16 is in use.

Note 4. The lower-limit frequency of PCLKB is 1 MHz when the SDADC24 is in use.

Note 5. See section 9, Clock Generation Circuit in User's Manual for the relationship of frequencies between ICLK, PCLKB, PCLKD, and FCLK.

Note 6. The maximum value of operation frequency does not include internal oscillator errors. For details on the range for guaranteed operation, see [Table 2.20, Clock timing](#).

**Table 2.19 Operation frequency in Subosc-speed mode**

Conditions: VCC = AVCC0 = AVCC1 = 1.8 to 5.5 V

Parameter			Symbol	Min	Typ	Max	Unit
Operation frequency	System clock (ICKL)*4	1.8 to 5.5 V	f	27.8528	32.768	37.6832	kHz
	FlashIF clock (FCLK)*1,*4	1.8 to 5.5 V		27.8528	32.768	37.6832	
	Peripheral module clock (PCLKB)*3,*4	1.8 to 5.5 V		-	-	37.6832	
	Peripheral module clock (PCLKD)*2,*4	1.8 to 5.5 V		-	-	37.6832	

Note 1. Programming and erasing the flash memory is not possible.

Note 2. The ADC16 cannot be used.

Note 3. The SDADC24 cannot be used.

Note 4. See section 9, Clock Generation Circuit in User's Manual for the relationship of frequencies between ICLK, PCLKB, PCLKD, and FCLK.

## 2.3.2 Clock Timing

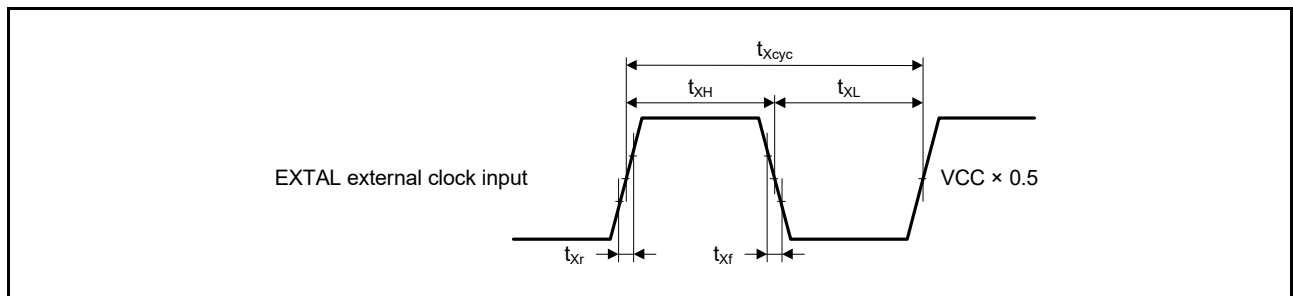
Table 2.20 Clock timing (1 of 2)

Parameter	Symbol	Min	Typ	Max	Unit	Test conditions
EXTAL external clock input cycle time	$t_{Xcyc}$	50	-	-	ns	Figure 2.25
EXTAL external clock input high pulse width	$t_{XH}$	20	-	-	ns	
EXTAL external clock input low pulse width	$t_{XL}$	20	-	-	ns	
EXTAL external clock rising time	$t_{Xr}$	-	-	5	ns	
EXTAL external clock falling time	$t_{Xf}$	-	-	5	ns	
EXTAL external clock input wait time*1	$t_{EXWT}$	0.3	-	-	$\mu$ s	-
EXTAL external clock input frequency	$f_{EXTAL}$	-	-	20	MHz	$2.4 \leq VCC \leq 5.5$
		-	-	8		$1.8 \leq VCC < 2.4$
		-	-	1		$1.6 \leq VCC < 1.8$
Main clock oscillator oscillation frequency	$f_{MAIN}$	1	-	20	MHz	$2.4 \leq VCC \leq 5.5$
		1	-	8		$1.8 \leq VCC < 2.4$
		1	-	4		$1.6 \leq VCC < 1.8$
LOCO clock oscillation frequency	$f_{LOCO}$	27.8528	32.768	37.6832	kHz	-
LOCO clock oscillation stabilization time	$t_{LOCO}$	-	-	100	$\mu$ s	Figure 2.26
IWDT-dedicated clock oscillation frequency	$f_{ILOCO}$	12.75	15	17.25	kHz	-
MOCO clock oscillation frequency	$f_{MOCO}$	6.8	8	9.2	MHz	-
MOCO clock oscillation stabilization time	$t_{MOCO}$	-	-	1	$\mu$ s	-
HOCO clock oscillation frequency	$f_{HOCO24}$	23.64	24	24.36	MHz	$T_a = -40$ to $-20^\circ\text{C}$ $1.8 \leq VCC \leq 5.5$
		22.68	24	25.32		$T_a = -40$ to $85^\circ\text{C}$ $1.6 \leq VCC < 1.8$
		23.76	24	24.24		$T_a = -20$ to $85^\circ\text{C}$ $1.8 \leq VCC \leq 5.5$
		23.52	24	24.48		$T_a = 85$ to $105^\circ\text{C}$ $2.4 \leq VCC \leq 5.5$
	$f_{HOCO32}$	31.52	32	32.48		$T_a = -40$ to $-20^\circ\text{C}$ $1.8 \leq VCC \leq 5.5$
		30.24	32	33.76		$T_a = -40$ to $85^\circ\text{C}$ $1.6 \leq VCC < 1.8$
		31.68	32	32.32		$T_a = -20$ to $85^\circ\text{C}$ $1.8 \leq VCC \leq 5.5$
		31.36	32	32.64		$T_a = 85$ to $105^\circ\text{C}$ $2.4 \leq VCC \leq 5.5$
	$f_{HOCO48}^{*3}$	47.28	48	48.72		$T_a = -40$ to $-20^\circ\text{C}$ $1.8 \leq VCC \leq 5.5$
		47.52	48	48.48		$T_a = -20$ to $85^\circ\text{C}$ $1.8 \leq VCC \leq 5.5$
		47.04	48	48.96		$T_a = 85$ to $105^\circ\text{C}$ $2.4 \leq VCC \leq 5.5$
	$f_{HOCO64}^{*4}$	63.04	64	64.96		$T_a = -40$ to $-20^\circ\text{C}$ $2.4 \leq VCC \leq 5.5$
63.36		64	64.64	$T_a = -20$ to $85^\circ\text{C}$ $2.4 \leq VCC \leq 5.5$		
62.72		64	65.28	$T_a = 85$ to $105^\circ\text{C}$ $2.4 \leq VCC \leq 5.5$		
HOCO clock oscillation stabilization time*5, *6	Except low-voltage mode	$t_{HOCO24}$	-	-	$\mu$ s	Figure 2.27
		$t_{HOCO32}$	-	-		
		$t_{HOCO48}$	-	-		
	$t_{HOCO64}$	-	-			
Low-voltage mode	$t_{HOCO24}$	-	-	100.9		
Sub-clock oscillator oscillation frequency	$f_{SUB}$	-	32.768	-	kHz	-
		-	-	-		

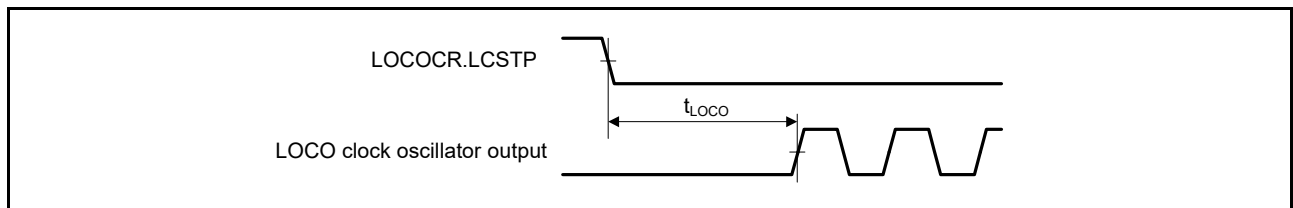
**Table 2.20 Clock timing (2 of 2)**

Parameter	Symbol	Min	Typ	Max	Unit	Test conditions
Sub-clock oscillation stabilization time*2	$t_{SUBOSC}$	-	0.5	-	s	Figure 2.28

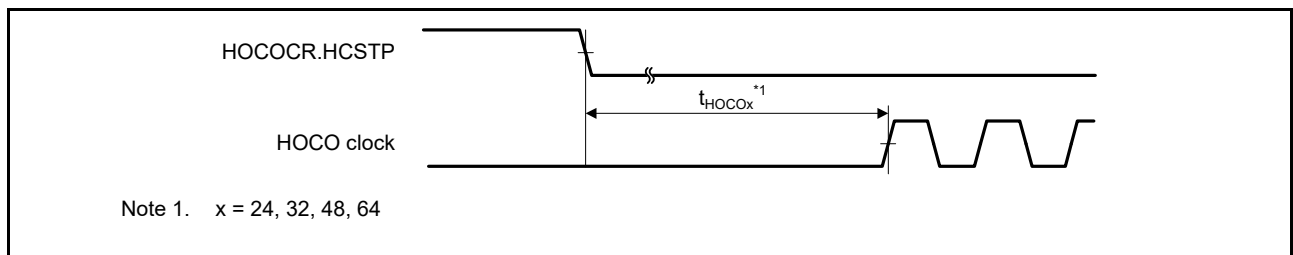
- Note 1. Time until the clock can be used after the Main Clock Oscillator stop bit (MOSCCR.MOSTP) is set to 0 (operating) when the external clock is stable.
- Note 2. After changing the setting of the SOSCCR.SOSTP bit to start sub-clock oscillator operation, only start using the sub-clock oscillator after the sub-clock oscillation stabilization wait time elapsed. Use the oscillator wait time value recommended by the oscillator manufacturer.
- Note 3. The 48-MHz HOCO can be used within a VCC range of 1.8 V to 5.5 V.
- Note 4. The 64-MHz HOCO can be used within a VCC range of 2.4 V to 5.5 V.
- Note 5. This is a characteristic when the HOCOCR.HCSTP bit is cleared to 0 (oscillation) in the MOCO stop state. When the HOCOCR.HCSTP bit is set to 0 (oscillation) during MOCO oscillation, this specification is shortened by 1  $\mu$ s.
- Note 6. Check OSCSF.HOCOSF to confirm whether stabilization time has elapsed.



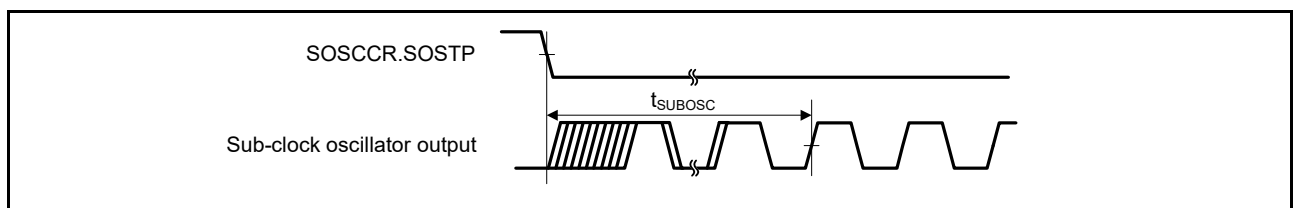
**Figure 2.25 EXTAL external clock input timing**



**Figure 2.26 LOCO clock oscillation start timing**



**Figure 2.27 HOCO clock oscillation start timing (started by setting the HOCOCR.HCSTP bit)**



**Figure 2.28 Sub-clock oscillation start timing**



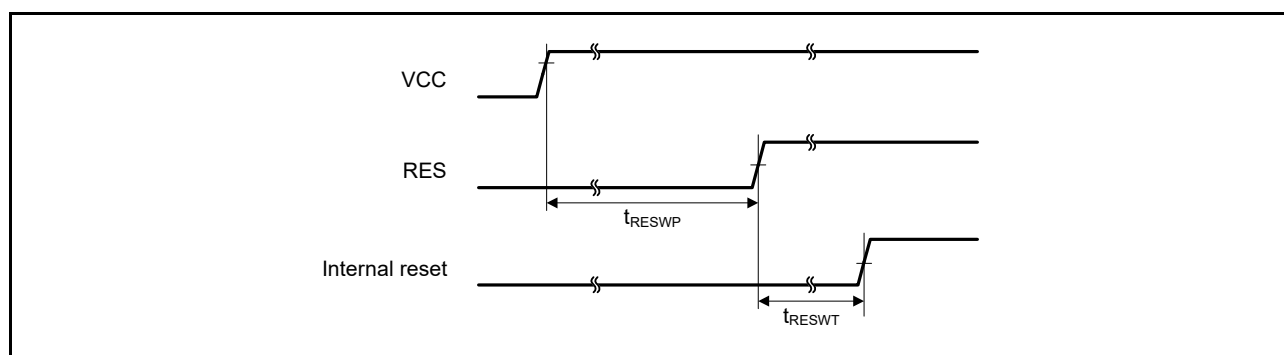
### 2.3.3 Reset Timing

**Table 2.21 Reset timing**

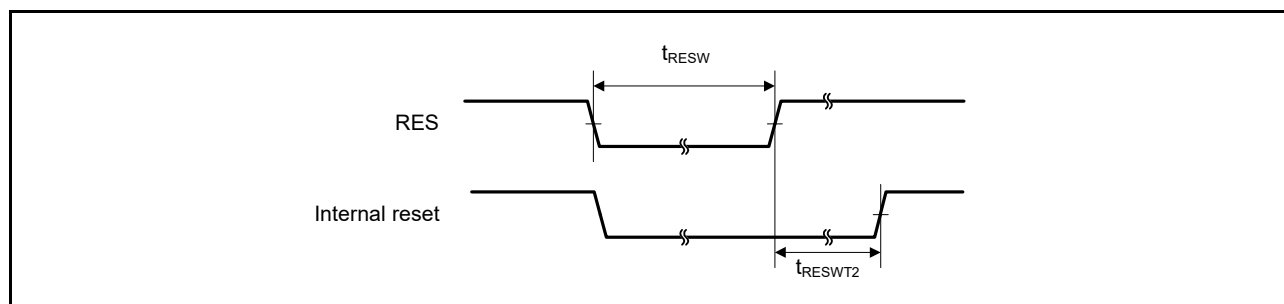
Parameter		Symbol	Min	Typ	Max	Unit	Test conditions
RES pulse width	At power-on	$t_{RESWP}$	3	-	-	ms	Figure 2.29
	Not at power-on	$t_{RESW}$	30	-	-	$\mu$ s	Figure 2.30
Wait time after RES cancellation (at power-on)	LVD0 enabled*1	$t_{RESWT}$	-	0.7	-	ms	Figure 2.29
	LVD0 disabled*2		-	0.3	-		
Wait time after RES cancellation (during powered-on state)	LVD0 enabled*1	$t_{RESWT2}$	-	0.5	-	ms	Figure 2.30
	LVD0 disabled*2		-	0.1	-		
Wait time after internal reset cancellation (Watchdog timer reset, SRAM parity error reset, SRAM ECC error reset, bus master MPU error reset, bus slave MPU error reset, stack pointer error reset, software reset)	LVD0 enabled*1	$t_{RESWT3}$	-	0.6	-	ms	Figure 2.31
	LVD0 disabled*2		-	0.15	-		

Note 1. When OFS1.LVDAS = 0.

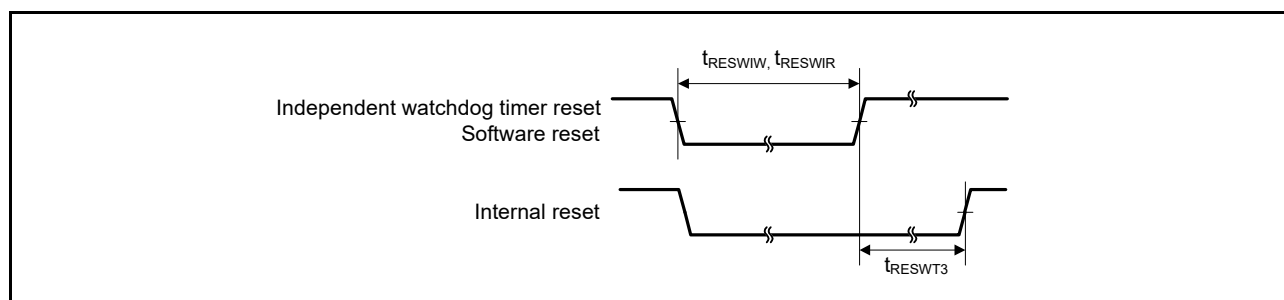
Note 2. When OFS1.LVDAS = 1.



**Figure 2.29 Reset input timing at power-on**



**Figure 2.30 Reset input timing (1)**



**Figure 2.31 Reset input timing (2)**

## 2.3.4 Wakeup Time

Table 2.22 Timing of recovery from low power modes (1)

Parameter				Symbol	Min	Typ	Max	Unit	Test conditions
Recovery time from Software Standby mode*1	High-speed mode	Crystal resonator connected to main clock oscillator	System clock source is main clock oscillator (20 MHz)*2	t <sub>SBYMC</sub>	-	2	3	ms	Figure 2.32
		External clock input to main clock oscillator	System clock source is main clock oscillator (20 MHz)*3	t <sub>SBYEX</sub>	-	14	25	μs	
		System clock source is HOCO*4 (HOCO clock is 32 MHz)		t <sub>SBYHO</sub>	-	43	52	μs	
		System clock source is HOCO*4 (HOCO clock is 48 MHz)		t <sub>SBYHO</sub>	-	44	52	μs	
		System clock source is HOCO*5 (HOCO clock is 64 MHz)		t <sub>SBYHO</sub>	-	82	110	μs	
		System clock source is MOCO		t <sub>SBYMO</sub>	-	16	25	μs	

Note 1. The division ratio of ICK, FCK, and PCKx is the minimum division ratio within the allowable frequency range. The recovery time is determined by the system clock source.

Note 2. The Main Clock Oscillator Wait Control Register (MOSCWTCR) is set to 05h.

Note 3. The Main Clock Oscillator Wait Control Register (MOSCWTCR) is set to 00h.

Note 4. The HOCO Clock Wait Control Register (HOCOWTCR) is set to 05h.

Note 5. The HOCO Clock Wait Control Register (HOCOWTCR) is set to 06h.

Table 2.23 Timing of recovery from low power modes (2)

Parameter				Symbol	Min	Typ	Max	Unit	Test conditions
Recovery time from Software Standby mode*1	Middle-speed mode	Crystal resonator connected to main clock oscillator	System clock source is main clock oscillator (12 MHz)*2	t <sub>SBYMC</sub>	-	2	3	ms	Figure 2.32
		External clock input to main clock oscillator	System clock source is main clock oscillator (12 MHz)*3	t <sub>SBYEX</sub>	-	2.9	10	μs	
		System clock source is HOCO*4		t <sub>SBYHO</sub>	-	38	50	μs	
		System clock source is MOCO (8 MHz)		t <sub>SBYMO</sub>	-	3.5	5.5	μs	

Note 1. The division ratio of ICK, FCK, and PCKx is the minimum division ratio within the allowable frequency range. The recovery time is determined by the system clock source.

Note 2. The Main Clock Oscillator Wait Control Register (MOSCWTCR) is set to 05h.

Note 3. The Main Clock Oscillator Wait Control Register (MOSCWTCR) is set to 00h.

Note 4. The system clock is 12 MHz.

**Table 2.24 Timing of recovery from low power modes (3)**

Parameter				Symbol	Min	Typ	Max	Unit	Test conditions
Recovery time from Software Standby mode*1	Low-speed mode	Crystal resonator connected to main clock oscillator	System clock source is main clock oscillator (1 MHz)*2	$t_{SBYMC}$	-	2	3	ms	Figure 2.32
		External clock input to main clock oscillator	System clock source is main clock oscillator (1 MHz)*3	$t_{SBYEX}$	-	28	50	$\mu$ s	
		System clock source is MOCO (1 MHz)		$t_{SBYMO}$	-	25	35	$\mu$ s	

Note 1. The division ratio of ICK, FCK, and PCKx is the minimum division ratio within the allowable frequency range. The recovery time is determined by the system clock source.

Note 2. The Main Clock Oscillator Wait Control Register (MOSCWTCR) is set to 05h.

Note 3. The Main Clock Oscillator Wait Control Register (MOSCWTCR) is set to 00h.

**Table 2.25 Timing of recovery from low power modes (4)**

Parameter				Symbol	Min	Typ	Max	Unit	Test conditions
Recovery time from Software Standby mode*1	Low-voltage mode	Crystal resonator connected to main clock oscillator	System clock source is main clock oscillator (4 MHz)*2	$t_{SBYMC}$	-	2	3	ms	Figure 2.32
		External clock input to main clock oscillator	System clock source is main clock oscillator (4 MHz)*3	$t_{SBYEX}$	-	108	130	$\mu$ s	
		System clock source is HOCO (4 MHz)		$t_{SBYHO}$	-	108	130	$\mu$ s	

Note 1. The division ratio of ICK, FCK, and PCKx is the minimum division ratio within the allowable frequency range. The recovery time is determined by the system clock source.

Note 2. The Main Clock Oscillator Wait Control Register (MOSCWTCR) is set to 05h.

Note 3. The Main Clock Oscillator Wait Control Register (MOSCWTCR) is set to 00h.

**Table 2.26 Timing of recovery from low power modes (5)**

Parameter			Symbol	Min	Typ	Max	Unit	Test conditions
Recovery time from Software Standby mode*1	Subosc-speed mode	System clock source is sub-clock oscillator (32.768 kHz)	$t_{SBYSC}$	-	0.85	1	ms	Figure 2.32
		System clock source is LOCO (32.768 kHz)	$t_{SBYLO}$	-	0.85	1.2	ms	

Note 1. The sub-clock oscillator or LOCO itself continues oscillating in Software Standby mode during Subosc-speed mode.

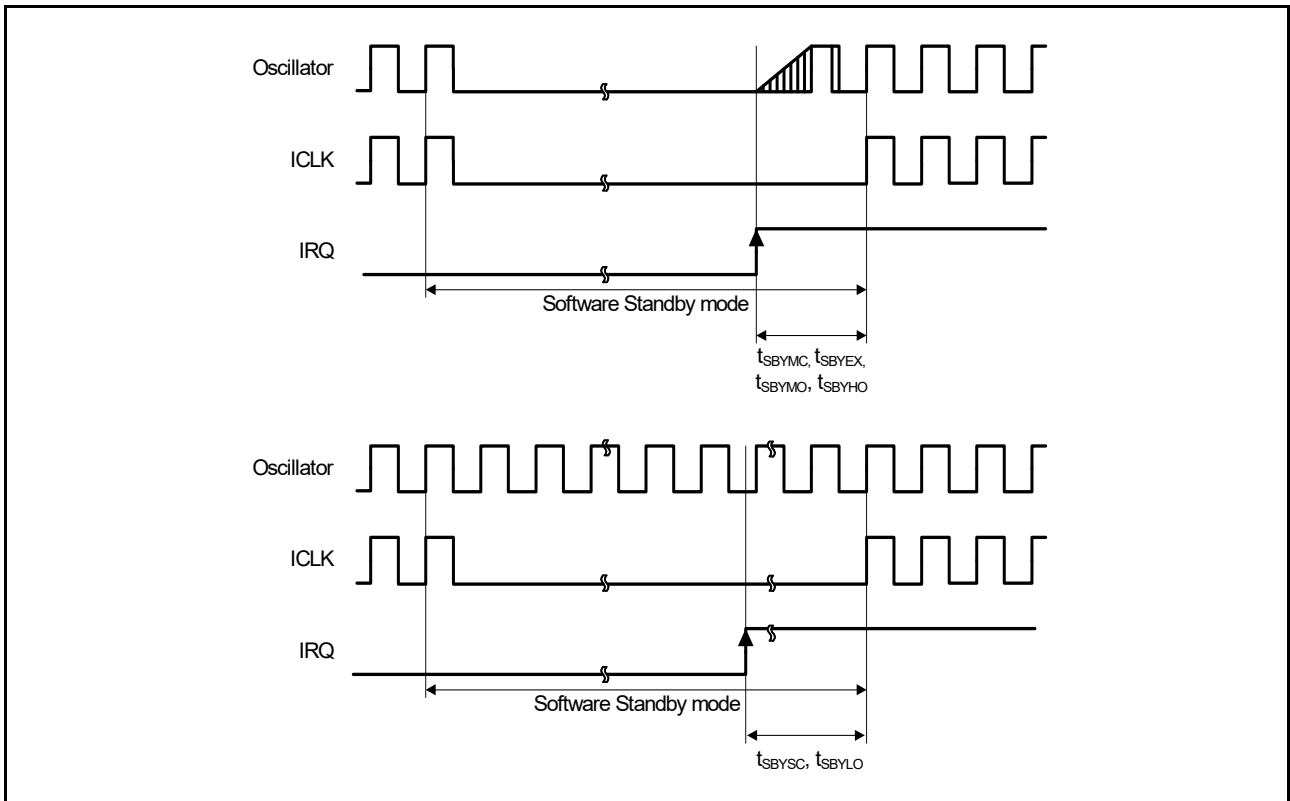


Figure 2.32 Software Standby mode cancellation timing

Table 2.27 Timing of recovery from low power modes (6)

Parameter		Symbol	Min	Typ	Max	Unit	Test conditions
Recovery time from Software Standby mode to Snooze mode	High-speed mode System clock source is HOCO	$t_{SNZ}$	-	36	45	$\mu s$	Figure 2.33
	Middle-speed mode System clock source is MOCO (8 MHz)	$t_{SNZ}$	-	1.3	3.6	$\mu s$	
	Low-speed mode System clock source is MOCO (1 MHz)	$t_{SNZ}$	-	10	13	$\mu s$	
	Low-voltage mode System clock source is HOCO (4 MHz)	$t_{SNZ}$	-	87	110	$\mu s$	

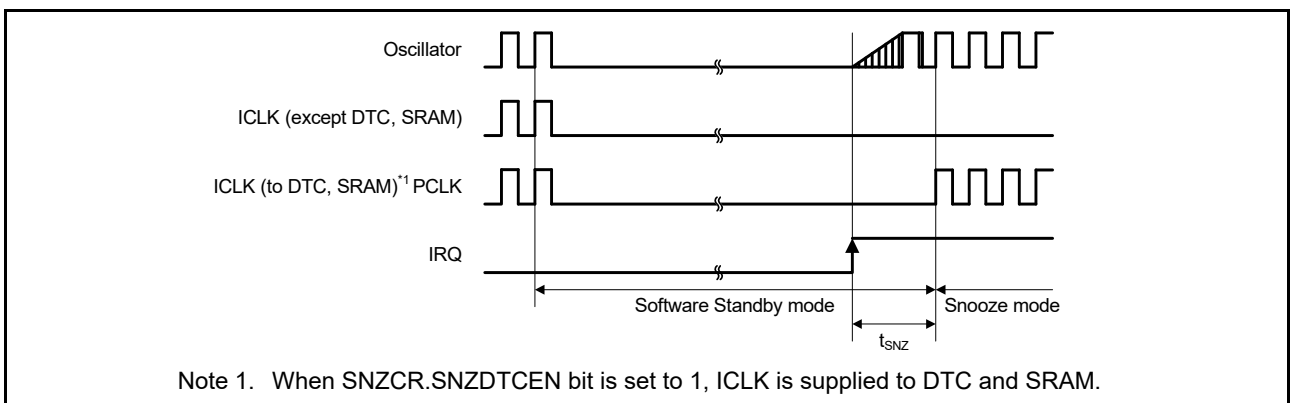


Figure 2.33 Recovery timing from Software Standby mode to Snooze mode

### 2.3.5 NMI and IRQ Noise Filter

**Table 2.28 NMI and IRQ noise filter**

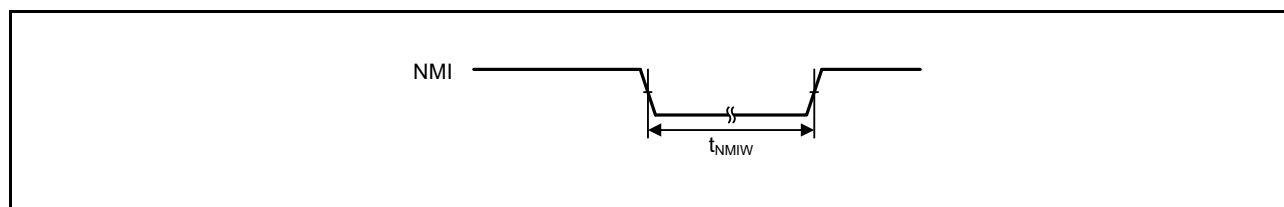
Parameter	Symbol	Min	Typ	Max	Unit	Test conditions	
NMI pulse width	$t_{NMIW}$	200	-	-	ns	NMI digital filter disabled	$t_{Pcyc} \times 2 \leq 200$ ns
		$t_{Pcyc} \times 2^{*1}$	-	-			$t_{Pcyc} \times 2 > 200$ ns
		200	-	-		NMI digital filter enabled	$t_{NMICK} \times 3 \leq 200$ ns
		$t_{NMICK} \times 3.5^{*2}$	-	-			$t_{NMICK} \times 3 > 200$ ns
IRQ pulse width	$t_{IRQW}$	200	-	-	ns	IRQ digital filter disabled	$t_{Pcyc} \times 2 \leq 200$ ns
		$t_{Pcyc} \times 2^{*1}$	-	-			$t_{Pcyc} \times 2 > 200$ ns
		200	-	-		IRQ digital filter enabled	$t_{IRQCK} \times 3 \leq 200$ ns
		$t_{IRQCK} \times 3.5^{*3}$	-	-			$t_{IRQCK} \times 3 > 200$ ns

Note: 200 ns minimum in Software Standby mode.

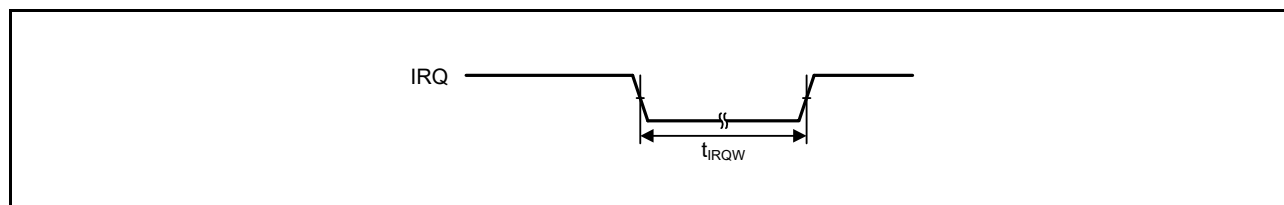
Note 1.  $t_{Pcyc}$  indicates the PCLKB cycle.

Note 2.  $t_{NMICK}$  indicates the cycle of the NMI digital filter sampling clock.

Note 3.  $t_{IRQCK}$  indicates the cycle of the IRQ<sub>i</sub> digital filter sampling clock (i = 0 to 7).



**Figure 2.34 NMI interrupt input timing**



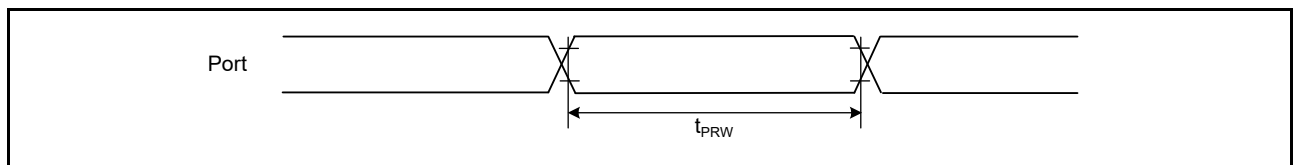
**Figure 2.35 IRQ interrupt input timing**

### 2.3.6 I/O Ports, POEG, GPT, AGT, KINT, and ADC16 Trigger Timing

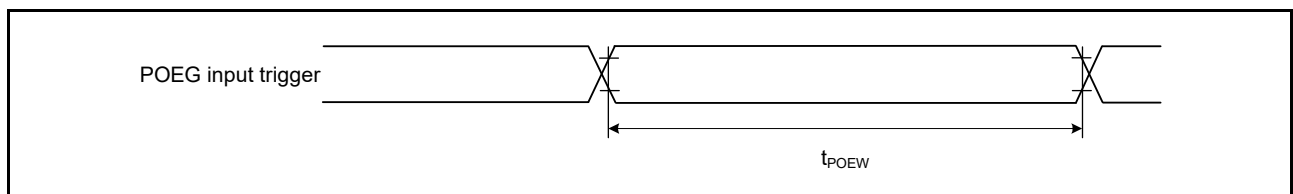
**Table 2.29 I/O Ports, POEG, GPT, AGT, KINT, and ADC16 trigger timing**

Parameter		Symbol	Min	Max	Unit	Test conditions	
I/O Ports	Input data pulse width	$t_{PRW}$	1.5	-	$t_{Pcyc}$	Figure 2.36	
POEG	POEG input trigger pulse width	$t_{POEW}$	3	-	$t_{Pcyc}$	Figure 2.37	
GPT	Input capture pulse width	Single edge	1.5	-	$t_{PDcyc}$	Figure 2.38	
		Dual edge	2.5	-			
AGT	AGTIO, AGTEE input cycle	$2.7\text{ V} \leq VCC \leq 5.5\text{ V}$	$t_{ACYC}^{*1}$	250	-	ns	Figure 2.39
		$2.4\text{ V} \leq VCC < 2.7\text{ V}$		500	-		
		$1.8\text{ V} \leq VCC < 2.4\text{ V}$		1000	-		
		$1.6\text{ V} \leq VCC < 1.8\text{ V}$		2000	-		
	AGTIO, AGTEE input high-level width, low-level width	$2.7\text{ V} \leq VCC \leq 5.5\text{ V}$	$t_{ACKWH}$ , $t_{ACKWL}$	100	-	ns	
		$2.4\text{ V} \leq VCC < 2.7\text{ V}$		200	-		
		$1.8\text{ V} \leq VCC < 2.4\text{ V}$		400	-		
		$1.6\text{ V} \leq VCC < 1.8\text{ V}$		800	-		
AGTIO, AGTO, AGTOA, AGTOB output cycle	$2.7\text{ V} \leq VCC \leq 5.5\text{ V}$	$t_{ACYC2}$	62.5	-	ns		
	$2.4\text{ V} \leq VCC < 2.7\text{ V}$		125	-			
	$1.8\text{ V} \leq VCC < 2.4\text{ V}$		250	-			
	$1.6\text{ V} \leq VCC < 1.8\text{ V}$		500	-			
ADC16	16-bit A/D converter trigger input pulse width	$t_{TRGW}$	1.5	-	$t_{Pcyc}$	Figure 2.40	
KINT	KRn (n = 00 to 07) pulse width	$t_{KR}$	250	-	ns	Figure 2.41	

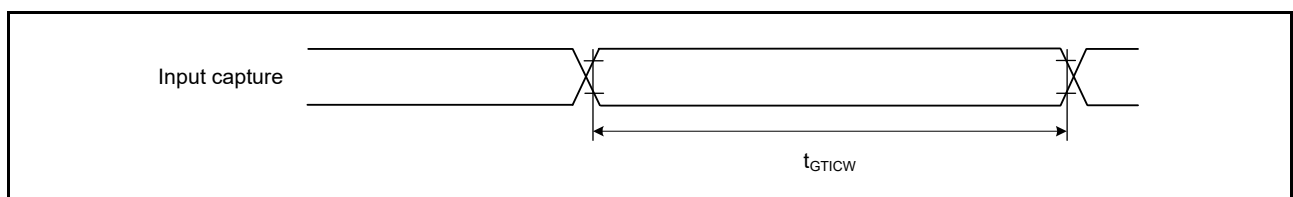
Note 1. Constraints on AGTIO input:  $t_{Pcyc} \times 2$  ( $t_{Pcyc}$ : PCLKB cycle) <  $t_{ACYC}$ .



**Figure 2.36 I/O ports input timing**



**Figure 2.37 POEG input trigger timing**



**Figure 2.38 GPT input capture timing**

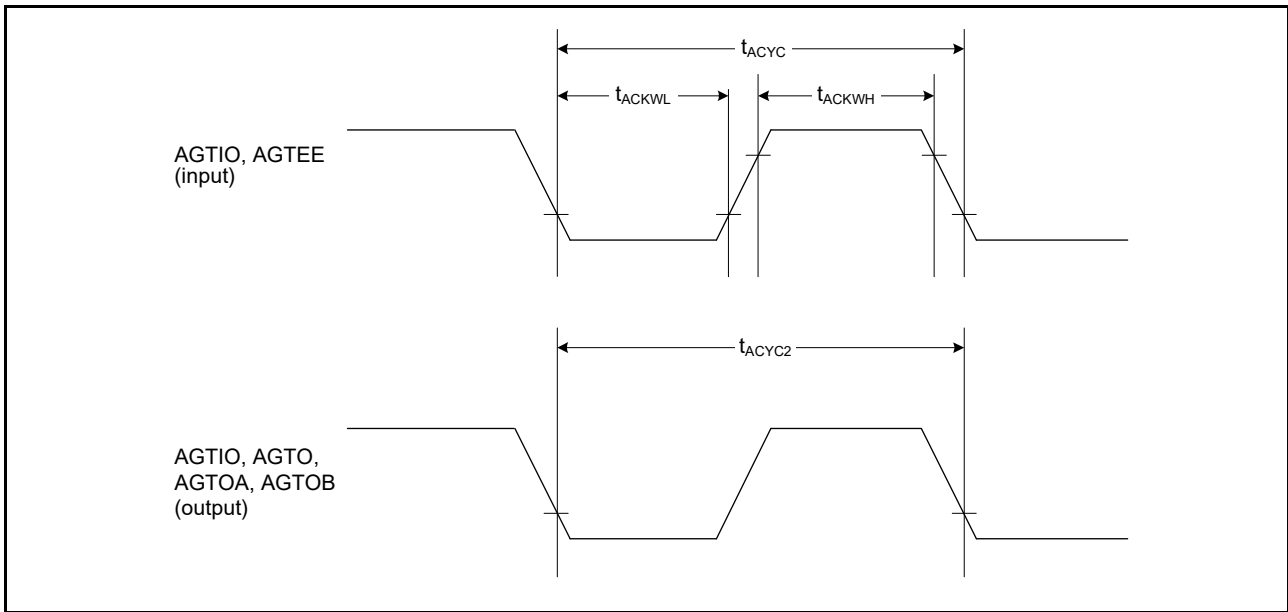


Figure 2.39 AGT I/O timing

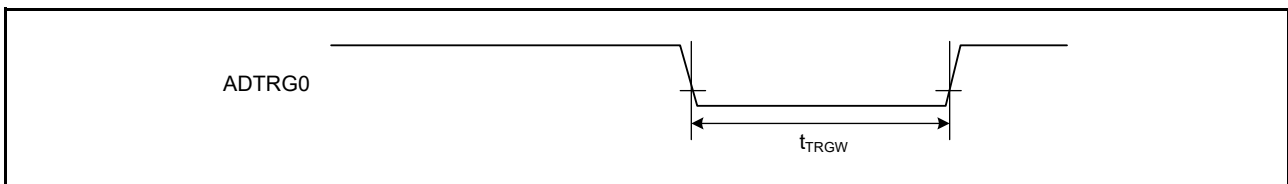


Figure 2.40 ADC16 trigger input timing

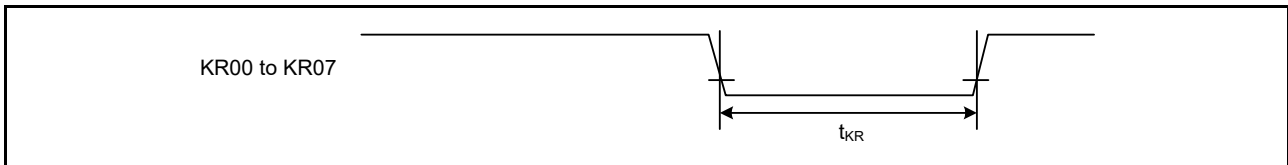


Figure 2.41 Key interrupt input timing

### 2.3.7 CAC Timing

Table 2.30 CAC timing

Conditions: VCC = AVCC0 = AVCC1 = 1.6 to 5.5 V

Parameter		Symbol	Min	Typ	Max	Unit	Test conditions
CAC	CACREF input pulse width	$t_{CACREF}$	$t_{Pcyc} *1 \leq t_{cac} *2$	$4.5 \times t_{cac} + 3 \times t_{Pcyc}$	-	-	ns
			$t_{Pcyc} *1 > t_{cac} *2$	$5 \times t_{cac} + 6.5 \times t_{Pcyc}$	-	-	ns

Note 1.  $t_{Pcyc}$ : PCLKB cycle.

Note 2.  $t_{cac}$ : CAC count clock source cycle.

## 2.3.8 SCI Timing

**Table 2.31 SCI timing (1)**

Conditions: VCC = AVCC0 = AVCC1 = 1.6 to 5.5 V

Parameter			Symbol	Min	Max	Unit*1	Test conditions	
SCI	Input clock cycle	Asynchronous	$t_{Scyc}$	4	-	$t_{Pcyc}$	Figure 2.42	
		Clock synchronous		6	-			
	Input clock pulse width		$t_{SCKW}$	0.4	0.6	$t_{Scyc}$		
	Input clock rise time		$t_{SCKr}$	-	20	ns		
	Input clock fall time		$t_{SCKf}$	-	20	ns		
	Output clock cycle	Asynchronous	$t_{Scyc}$	6	-	$t_{Pcyc}$		
		Clock synchronous		4	-			
	Output clock pulse width		$t_{SCKW}$	0.4	0.6	$t_{Scyc}$		
	Output clock rise time		$t_{SCKr}$	$1.8\text{ V} \leq \text{VCC} \leq 5.5\text{ V}$	-	20		ns
				$1.6\text{ V} \leq \text{VCC} < 1.8\text{ V}$	-	30		
	Output clock fall time		$t_{SCKf}$	$1.8\text{ V} \leq \text{VCC} \leq 5.5\text{ V}$	-	20		ns
				$1.6\text{ V} \leq \text{VCC} < 1.8\text{ V}$	-	30		
	Transmit data delay (master)	Clock synchronous	$t_{TXD}$	$1.8\text{ V} \leq \text{VCC} \leq 5.5\text{ V}$	-	40		ns
				$1.6\text{ V} \leq \text{VCC} < 1.8\text{ V}$	-	45		
Transmit data delay (slave)	Clock synchronous	$t_{TXD}$	$2.7\text{ V} \leq \text{VCC} \leq 5.5\text{ V}$	-	55	ns		
			$2.4\text{ V} \leq \text{VCC} < 2.7\text{ V}$	-	60			
			$1.8\text{ V} \leq \text{VCC} < 2.4\text{ V}$	-	100			
			$1.6\text{ V} \leq \text{VCC} < 1.8\text{ V}$	-	125			
Receive data setup time (master)	Clock synchronous	$t_{RXS}$	$2.7\text{ V} \leq \text{VCC} \leq 5.5\text{ V}$	45	-	ns		
			$2.4\text{ V} \leq \text{VCC} < 2.7\text{ V}$	55	-			
			$1.8\text{ V} \leq \text{VCC} < 2.4\text{ V}$	90	-			
			$1.6\text{ V} \leq \text{VCC} < 1.8\text{ V}$	110	-			
Receive data setup time (slave)	Clock synchronous	$t_{RXS}$	$2.7\text{ V} \leq \text{VCC} \leq 5.5\text{ V}$	40	-	ns		
			$1.6\text{ V} \leq \text{VCC} < 2.7\text{ V}$	45	-			
Receive data hold time (master)	Clock synchronous	$t_{RXH}$	5	-	ns			
Receive data hold time (slave)	Clock synchronous	$t_{RXH}$	40	-	ns			

Note 1.  $t_{Pcyc}$ : PCLKB cycle.



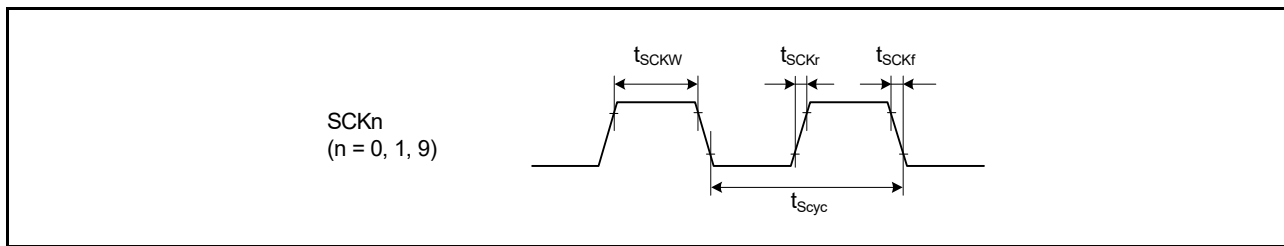


Figure 2.42 SCK clock input timing

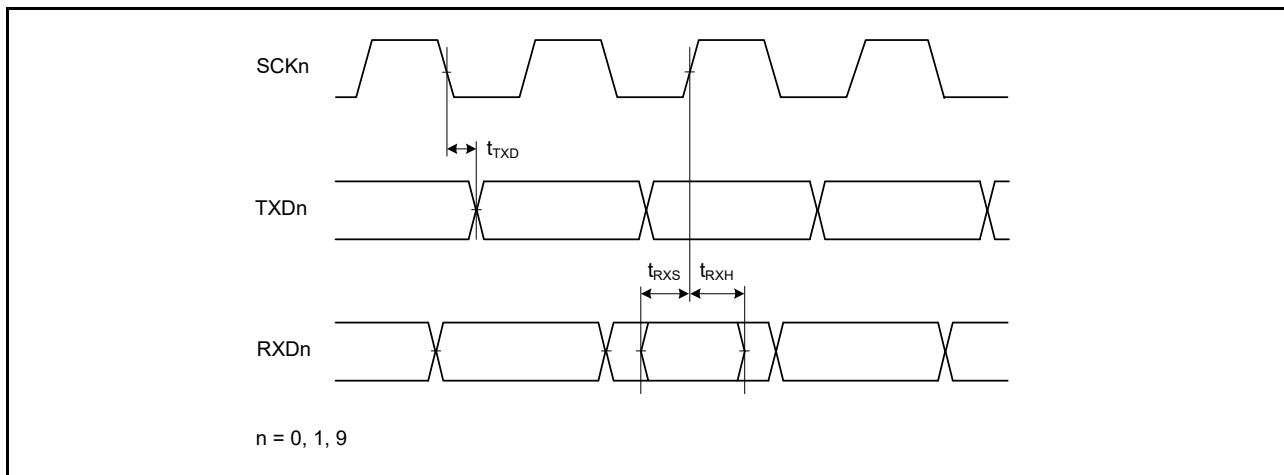


Figure 2.43 SCI input/output timing in clock synchronous mode

**Table 2.32 SCI timing (2)**Conditions:  $V_{CC} = AV_{CC0} = AV_{CC1} = 1.6$  to  $5.5$  V

Parameter			Symbol	Min	Max	Unit*1	Test conditions	
Simple SPI	SCK clock cycle output (master)		$t_{SPcyc}$	4	65536	$t_{Pcyc}$	Figure 2.44	
	SCK clock cycle input (slave)			6	65536			
	SCK clock high pulse width		$t_{SPCKWH}$	0.4	0.6	$t_{SPcyc}$		
	SCK clock low pulse width		$t_{SPCKWL}$	0.4	0.6	$t_{SPcyc}$		
	SCK clock rise and fall time		$t_{SPCKr}$ $t_{SPCKf}$	$1.8\text{ V} \leq V_{CC} \leq 5.5\text{ V}$	-	20	ns	
				$1.6\text{ V} \leq V_{CC} < 1.8\text{ V}$	-	30		
	Data input setup time	Master	$2.7\text{ V} \leq V_{CC} \leq 5.5\text{ V}$	$t_{SU}$	45	-	ns	Figure 2.45 to Figure 2.48
			$2.4\text{ V} \leq V_{CC} < 2.7\text{ V}$		55	-		
			$1.8\text{ V} \leq V_{CC} < 2.4\text{ V}$		80	-		
			$1.6\text{ V} \leq V_{CC} < 1.8\text{ V}$		110	-		
		Slave	$2.7\text{ V} \leq V_{CC} \leq 5.5\text{ V}$		40	-		
			$1.6\text{ V} \leq V_{CC} < 2.7\text{ V}$		45	-		
	Data input hold time	Master		$t_H$	33.3	-	ns	
		Slave			40	-		
SS input setup time			$t_{LEAD}$	1	-	$t_{SPcyc}$		
SS input hold time			$t_{LAG}$	1	-	$t_{SPcyc}$		
Data output delay	Master	$1.8\text{ V} \leq V_{CC} \leq 5.5\text{ V}$	$t_{OD}$	-	40	ns		
		$1.6\text{ V} \leq V_{CC} < 1.8\text{ V}$		-	50			
	Slave	$2.4\text{ V} \leq V_{CC} \leq 5.5\text{ V}$		-	65			
		$1.8\text{ V} \leq V_{CC} < 2.4\text{ V}$		-	100			
		$1.6\text{ V} \leq V_{CC} < 1.8\text{ V}$		-	125			
Data output hold time	Master	$2.7\text{ V} \leq V_{CC} \leq 5.5\text{ V}$	$t_{OH}$	-10	-	ns		
		$2.4\text{ V} \leq V_{CC} < 2.7\text{ V}$		-20	-			
		$1.8\text{ V} \leq V_{CC} < 2.4\text{ V}$		-30	-			
		$1.6\text{ V} \leq V_{CC} < 1.8\text{ V}$		-40	-			
	Slave				-10		-	
	Data rise and fall time	Master		$1.8\text{ V} \leq V_{CC} \leq 5.5\text{ V}$	$t_{Dr}, t_{Df}$		-	20
$1.6\text{ V} \leq V_{CC} < 1.8\text{ V}$			-	30				
Slave		$1.8\text{ V} \leq V_{CC} \leq 5.5\text{ V}$	-	20				
		$1.6\text{ V} \leq V_{CC} < 1.8\text{ V}$	-	30				
Simple SPI	Slave access time		$t_{SA}$	-	6	$t_{Pcyc}$	Figure 2.48	
	Slave output release time		$t_{REL}$	-	6	$t_{Pcyc}$		

Note 1.  $t_{Pcyc}$ : PCLKB cycle.

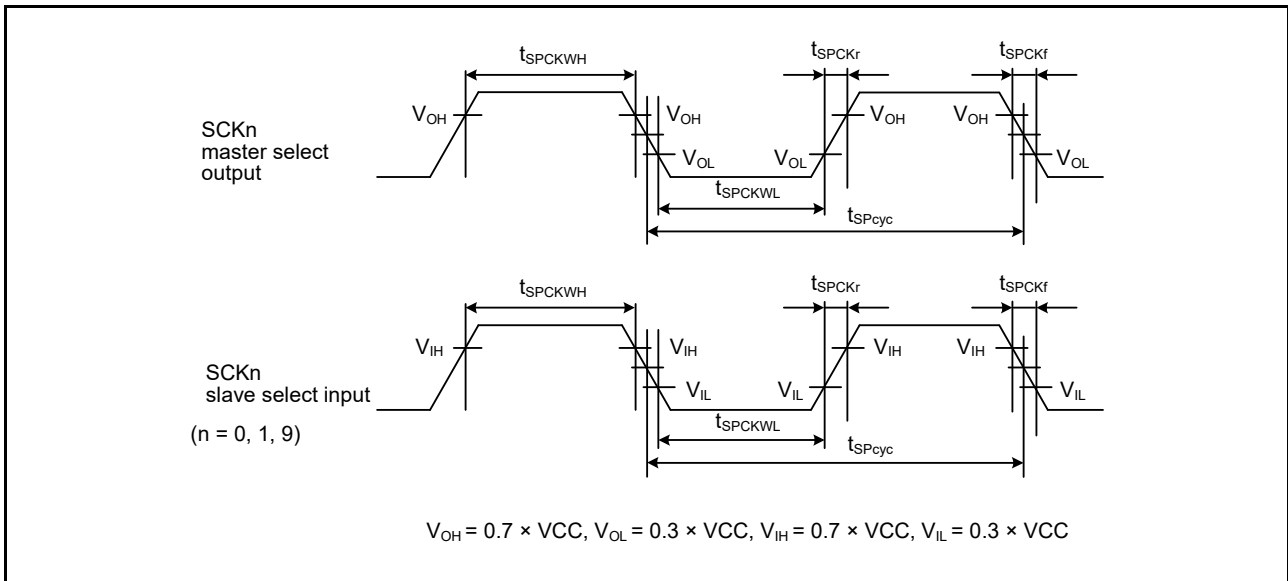


Figure 2.44 SCI simple SPI mode clock timing

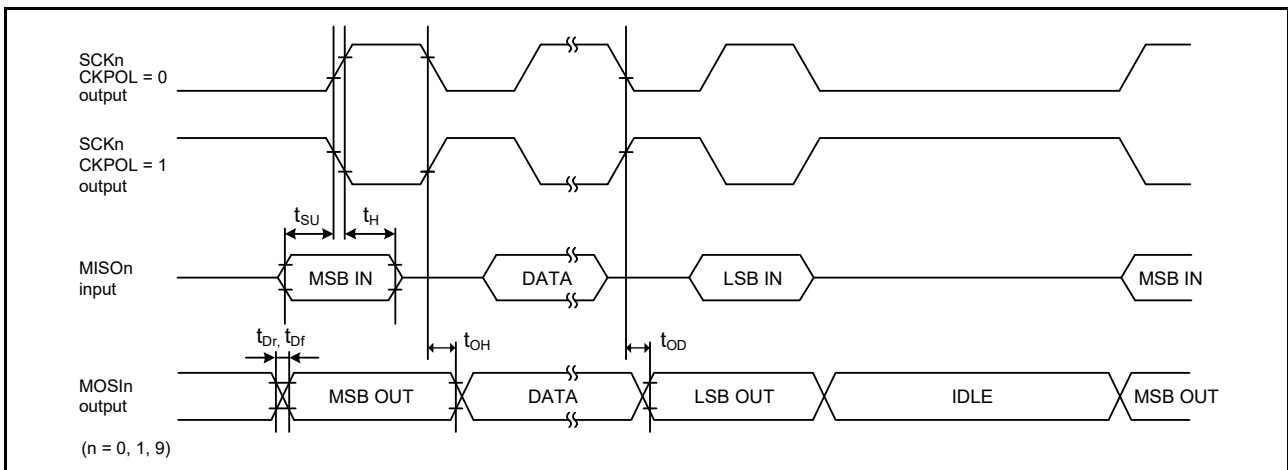


Figure 2.45 SCI simple SPI mode timing (master, CKPH = 1)

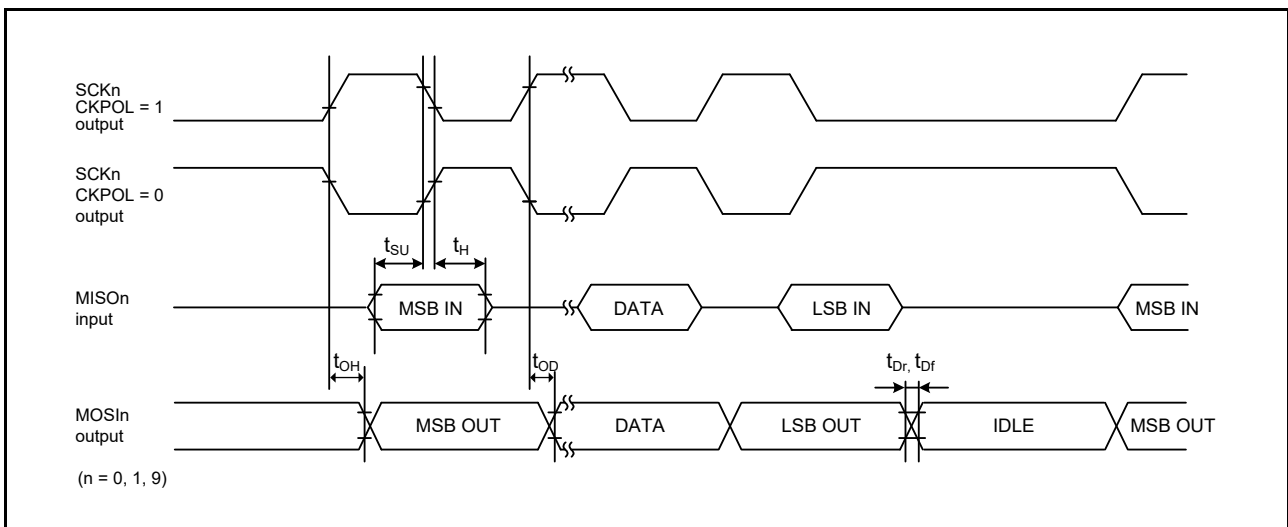


Figure 2.46 SCI simple SPI mode timing (master, CKPH = 0)

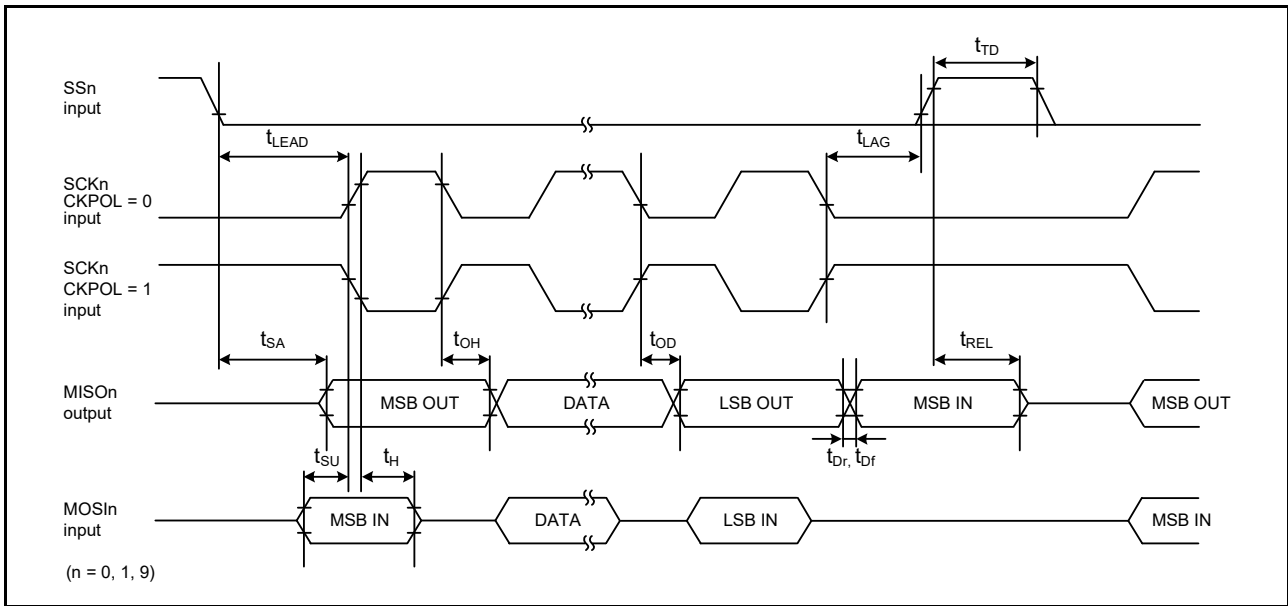


Figure 2.47 SCI simple SPI mode timing (slave, CKPH = 1)

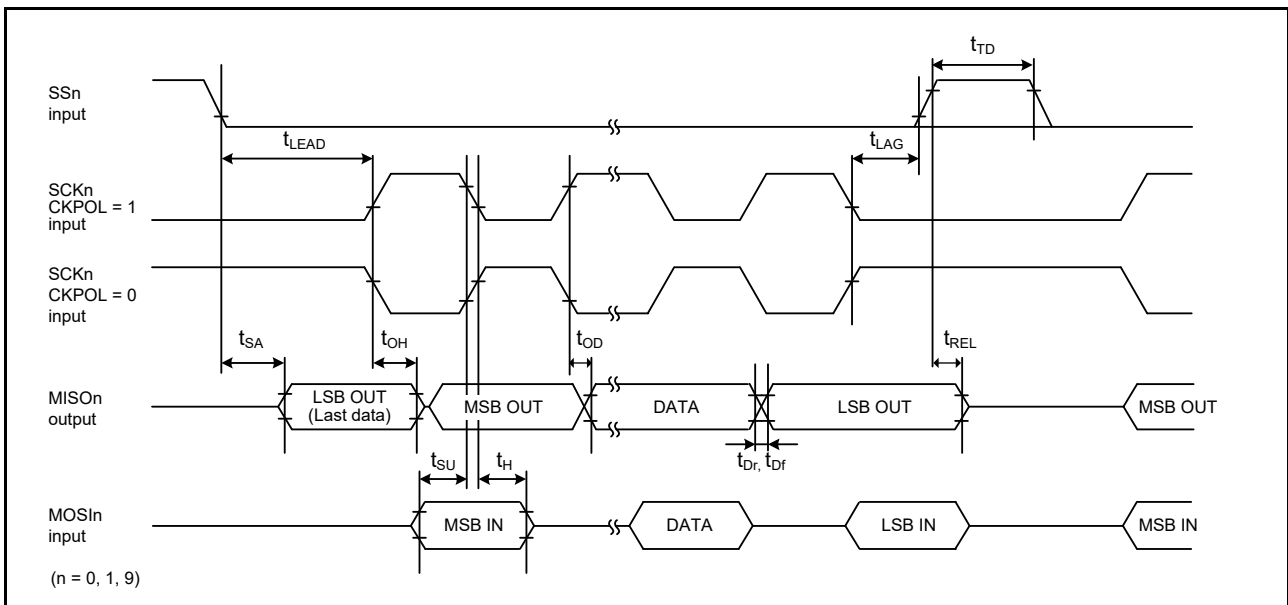


Figure 2.48 SCI simple SPI mode timing (slave, CKPH = 0)

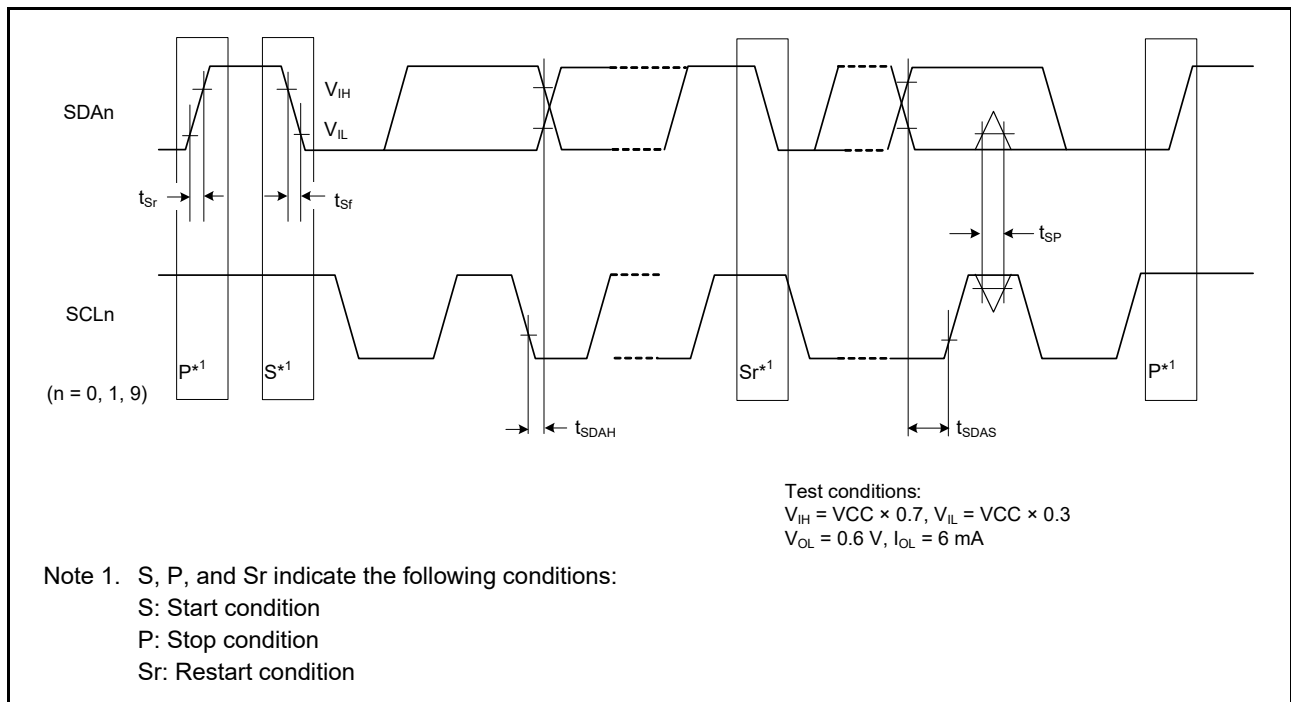
Table 2.33 SCI timing (3)

Conditions: VCC = AVCC0 = AVCC1 = 2.7 to 5.5 V

Parameter	Symbol	Min	Max	Unit	Test conditions	
Simple IIC (Standard mode)	SDA input rise time	t <sub>Sr</sub>	-	1000	ns	Figure 2.49
	SDA input fall time	t <sub>Sf</sub>	-	300	ns	
	SDA input spike pulse removal time	t <sub>SP</sub>	0	4 × t <sub>IICcyc</sub> <sup>*1</sup>	ns	
	Data input setup time	t <sub>SDAS</sub>	250	-	ns	
	Data input hold time	t <sub>SDAH</sub>	0	-	ns	
	SCL, SDA capacitive load	C <sub>b</sub> <sup>*2</sup>	-	400	pF	

**Table 2.33 SCI timing (3)**Conditions:  $V_{CC} = AV_{CC0} = AV_{CC1} = 2.7$  to  $5.5$  V

Parameter	Symbol	Min	Max	Unit	Test conditions	
Simple IIC (Fast mode)	SDA input rise time	$t_{Sr}$	-	300	ns	Figure 2.49
	SDA input fall time	$t_{Sf}$	-	300	ns	
	SDA input spike pulse removal time	$t_{SP}$	0	$4 \times t_{IICcyc}^{*1}$	ns	
	Data input setup time	$t_{SDAS}$	100	-	ns	
	Data input hold time	$t_{SDAH}$	0	-	ns	
	SCL, SDA capacitive load	$C_b^{*2}$	-	400	pF	

Note 1.  $t_{IICcyc}$ : Clock cycle selected by the SMR.CKS[1:0] bits.Note 2.  $C_b$  indicates the total capacity of the bus line.**Figure 2.49 SCI simple IIC mode timing**

## 2.3.9 SPI Timing

**Table 2.34 SPI timing (1 of 2)**

Conditions: Middle drive output is selected in the Port Drive Capability bit in the PmnPFS register.

Parameter		Symbol	Min	Max	Unit*1	Test conditions		
SPI	RSPCK clock cycle	Master	$t_{SPCyc}$	2	4096	$t_{PCyc}$	Figure 2.50 C = 30 pF	
		Slave		6	4096			
RSPCK clock high pulse width	Master	$t_{SPCKWH}$		$(t_{SPCyc} - t_{SPCKr} - t_{SPCKf}) / 2 - 3$	-	ns		
	Slave			$3 \times t_{PCyc}$	-			
RSPCK clock low pulse width	Master	$t_{SPCKWL}$		$(t_{SPCyc} - t_{SPCKr} - t_{SPCKf}) / 2 - 3$	-	ns		
	Slave			$3 \times t_{PCyc}$	-			
RSPCK clock rise and fall time	Output		$t_{SPCKr}$ , $t_{SPCKf}$	$2.7 V \leq VCC \leq 5.5 V$	-	10		ns
				$2.4 V \leq VCC < 2.7 V$	-	15		
				$1.8 V \leq VCC \leq 2.4 V$	-	20		
				$1.6 V \leq VCC < 1.8 V$	-	30		
	Input		-	1	$\mu s$			
Data input setup time	Master	$t_{SU}$		10	-	ns	Figure 2.51 to Figure 2.56 C = 30 pF	
	Slave			$2.4 V \leq VCC \leq 5.5 V$	10			-
				$1.8 V \leq VCC < 2.4 V$	15			-
				$1.6 V \leq VCC < 1.8 V$	20			-
Data input hold time	Master (RSPCK is PCLKB/2)	$t_{HF}$	0	-	ns			
	Master (RSPCK is not PCLKB/2)	$t_H$	$t_{PCyc}$	-				
	Slave	$t_H$	20	-				
SSL setup time	Master		$t_{LEAD}$	$1.8 V \leq VCC \leq 5.5 V$	$-30 + N \times t_{SPCyc}^{*2}$	-		ns
				$1.6 V \leq VCC < 1.8 V$	$-50 + N \times t_{SPCyc}^{*2}$	-		
	Slave		$6 \times t_{PCyc}$	-	ns			
SSL hold time	Master	$t_{LAG}$		$-30 + N \times t_{SPCyc}^{*3}$	-	ns		
	Slave			$6 \times t_{PCyc}$	-	ns		
Data output delay	Master		$t_{OD}$	$2.7 V \leq VCC \leq 5.5 V$	-	14	ns	
				$2.4 V \leq VCC < 2.7 V$	-	20		
				$1.8 V \leq VCC < 2.4 V$	-	25		
				$1.6 V \leq VCC < 1.8 V$	-	30		
	Slave			$2.7 V \leq VCC \leq 5.5 V$	-	50		
				$2.4 V \leq VCC < 2.7 V$	-	60		
				$1.8 V \leq VCC < 2.4 V$	-	85		
				$1.6 V \leq VCC < 1.8 V$	-	110		
Data output hold time	Master	$t_{OH}$		0	-	ns		
	Slave			0	-			
Successive transmission delay	Master	$t_{TD}$		$t_{SPCyc} + 2 \times t_{PCyc}$	$8 \times t_{SPCyc} + 2 \times t_{PCyc}$	ns		
	Slave			$6 \times t_{PCyc}$	-			

**Table 2.34 SPI timing (2 of 2)**

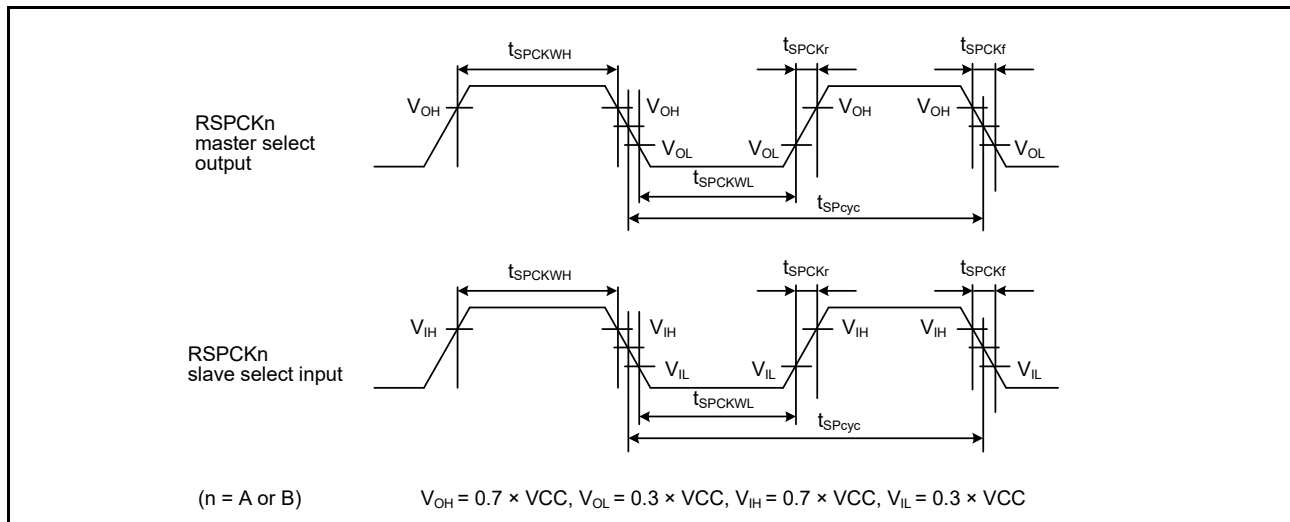
Conditions: Middle drive output is selected in the Port Drive Capability bit in the PmnPFS register.

Parameter		Symbol	Min	Max	Unit*1	Test conditions		
SPI	MOSI and MISO rise and fall time	Output	$2.7\text{ V} \leq \text{VCC} \leq 5.5\text{ V}$	$t_{Dr}, t_{Df}$	-	10	Figure 2.51 to Figure 2.56 C = 30 pF	
			$2.4\text{ V} \leq \text{VCC} < 2.7\text{ V}$		-	15		
			$1.8\text{ V} \leq \text{VCC} < 2.4\text{ V}$		-	20		
			$1.6\text{ V} \leq \text{VCC} < 1.8\text{ V}$		-	30		
		Input			-	1		$\mu\text{s}$
	SSL rise and fall time	Output	$2.7\text{ V} \leq \text{VCC} \leq 5.5\text{ V}$	$t_{SSLr}, t_{SSLf}$	-	10		Figure 2.55 and Figure 2.56 C = 30 pF
			$2.4\text{ V} \leq \text{VCC} < 2.7\text{ V}$		-	15		
			$1.8\text{ V} \leq \text{VCC} < 2.4\text{ V}$		-	20		
		$1.6\text{ V} \leq \text{VCC} < 1.8\text{ V}$		-	30			
	Input			-	1	$\mu\text{s}$		
Slave access time		$2.4\text{ V} \leq \text{VCC} \leq 5.5\text{ V}$	$t_{SA}$	-	$2 \times t_{Pcyc} + 100$	ns	Figure 2.55 and Figure 2.56 C = 30 pF	
		$1.8\text{ V} \leq \text{VCC} < 2.4\text{ V}$		-	$2 \times t_{Pcyc} + 140$			
		$1.6\text{ V} \leq \text{VCC} < 1.8\text{ V}$		-	$2 \times t_{Pcyc} + 180$			
Slave output release time		$2.4\text{ V} \leq \text{VCC} \leq 5.5\text{ V}$	$t_{REL}$	-	$2 \times t_{Pcyc} + 100$	ns	Figure 2.55 and Figure 2.56 C = 30 pF	
		$1.8\text{ V} \leq \text{VCC} < 2.4\text{ V}$		-	$2 \times t_{Pcyc} + 140$			
		$1.6\text{ V} \leq \text{VCC} < 1.8\text{ V}$		-	$2 \times t_{Pcyc} + 180$			

Note 1.  $t_{Pcyc}$ : PCLKB cycle.

Note 2. N is set as an integer from 1 to 8 by the SPCKD register.

Note 3. N is set as an integer from 1 to 8 by the SSLND register.

**Figure 2.50 SPI clock timing**

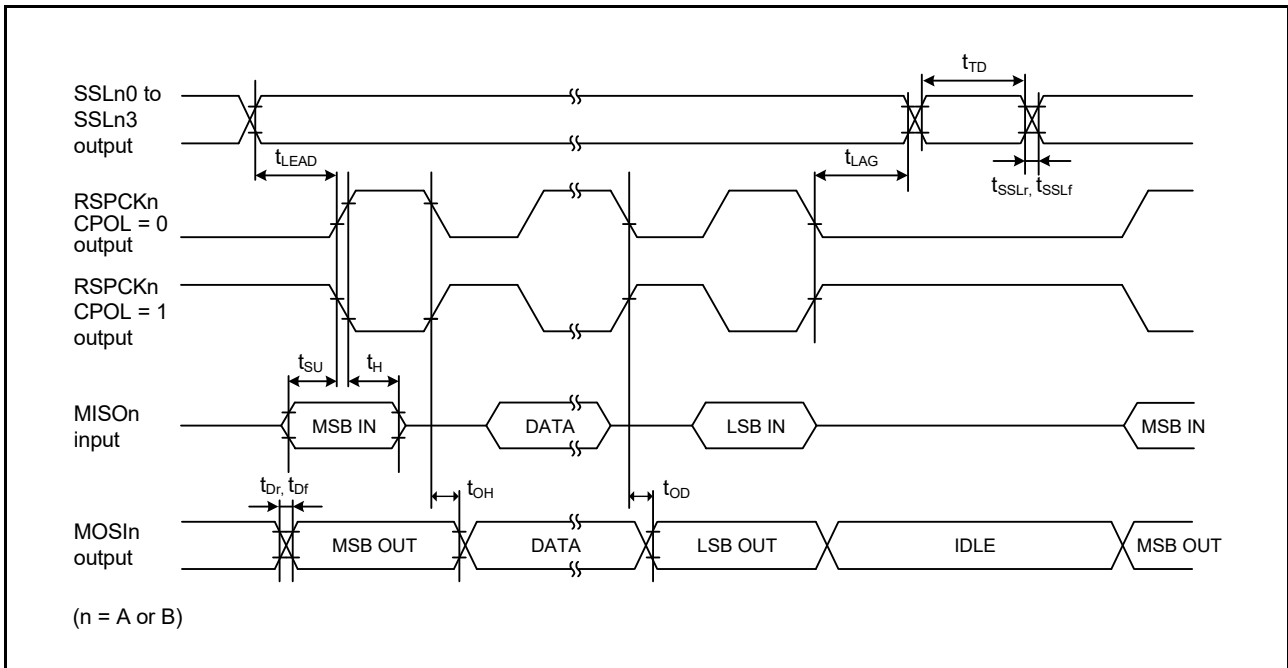


Figure 2.51 SPI timing (master, CPHA = 0) (bit rate: PCLKB division ratio is set to any value other than 1/2)

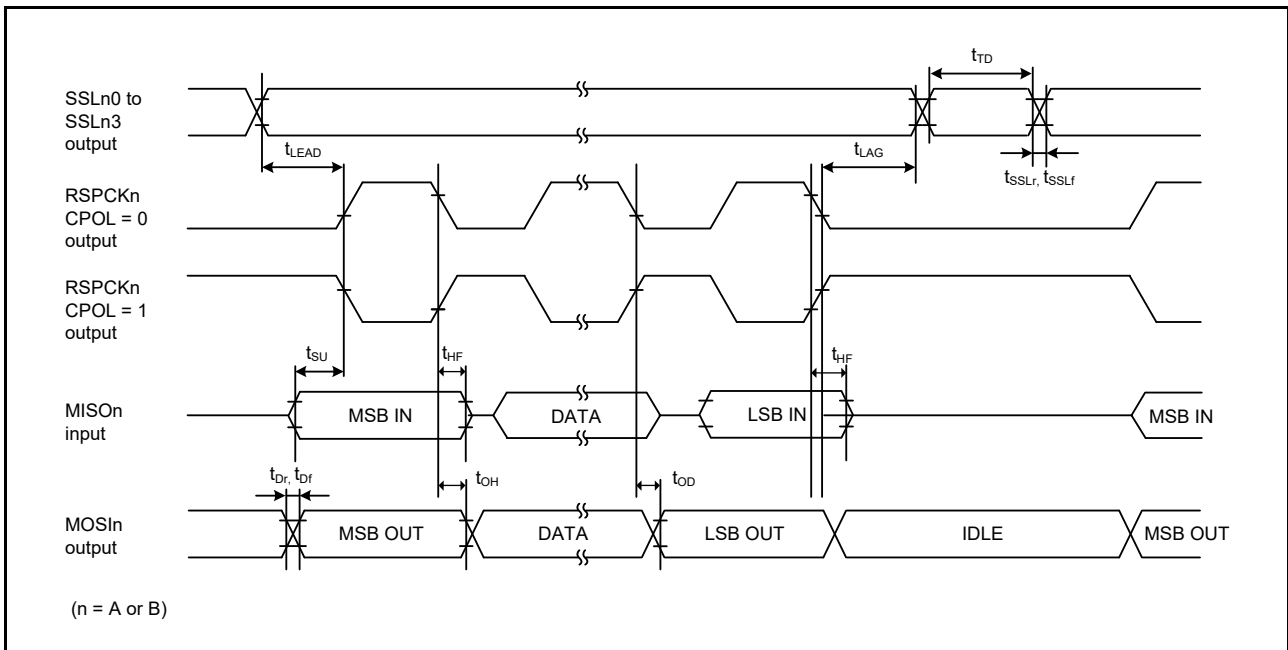


Figure 2.52 SPI timing (master, CPHA = 0) (bit rate: PCLKB division ratio is set to 1/2)



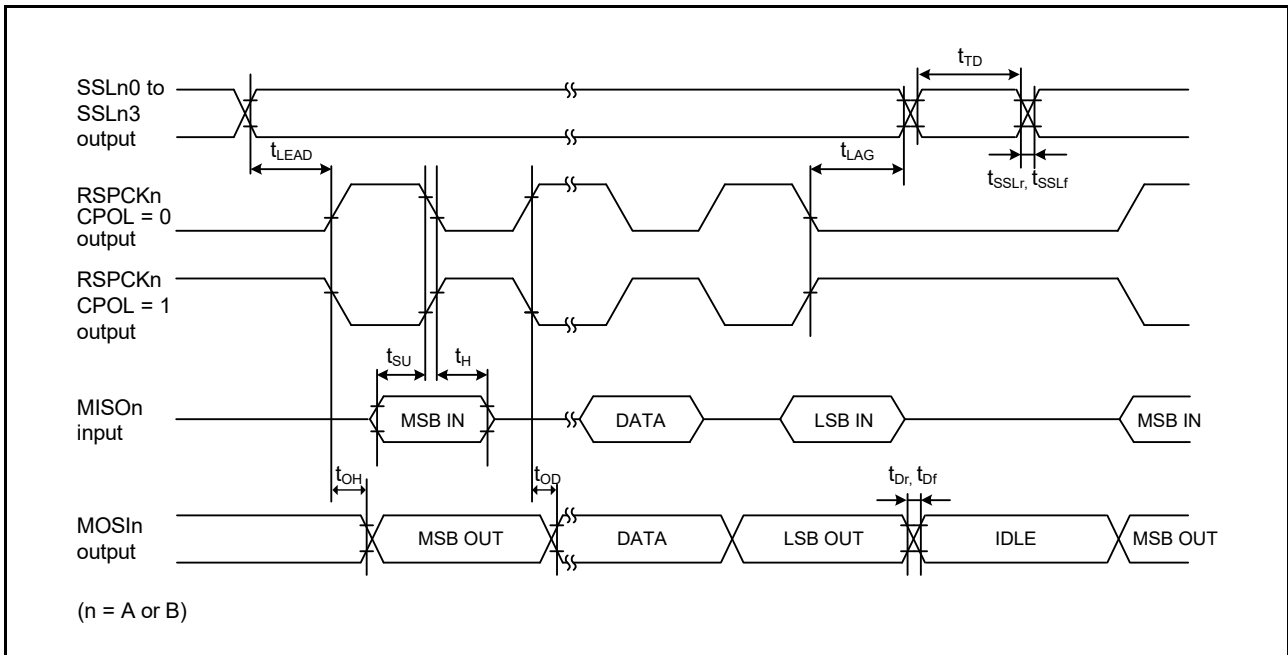


Figure 2.53 SPI timing (master, CPHA = 1) (bit rate: PCLKB division ratio is set to any value other than 1/2)

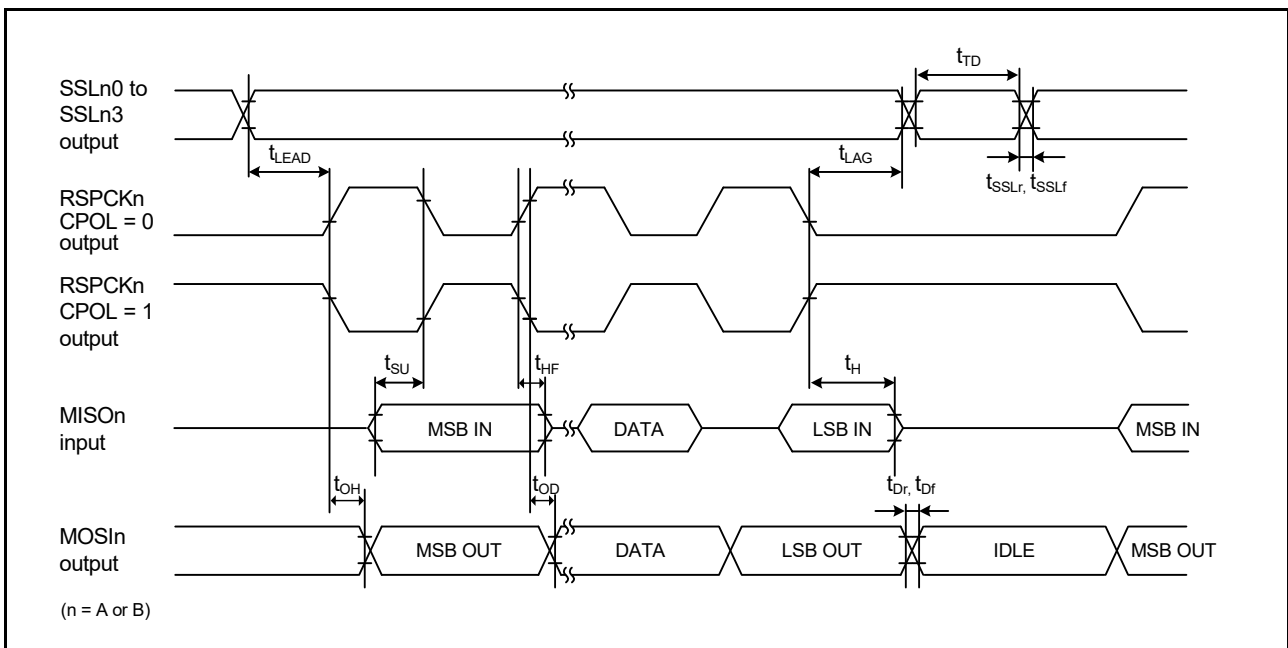


Figure 2.54 SPI timing (master, CPHA = 1) (bit rate: PCLKB division ratio is set to 1/2)

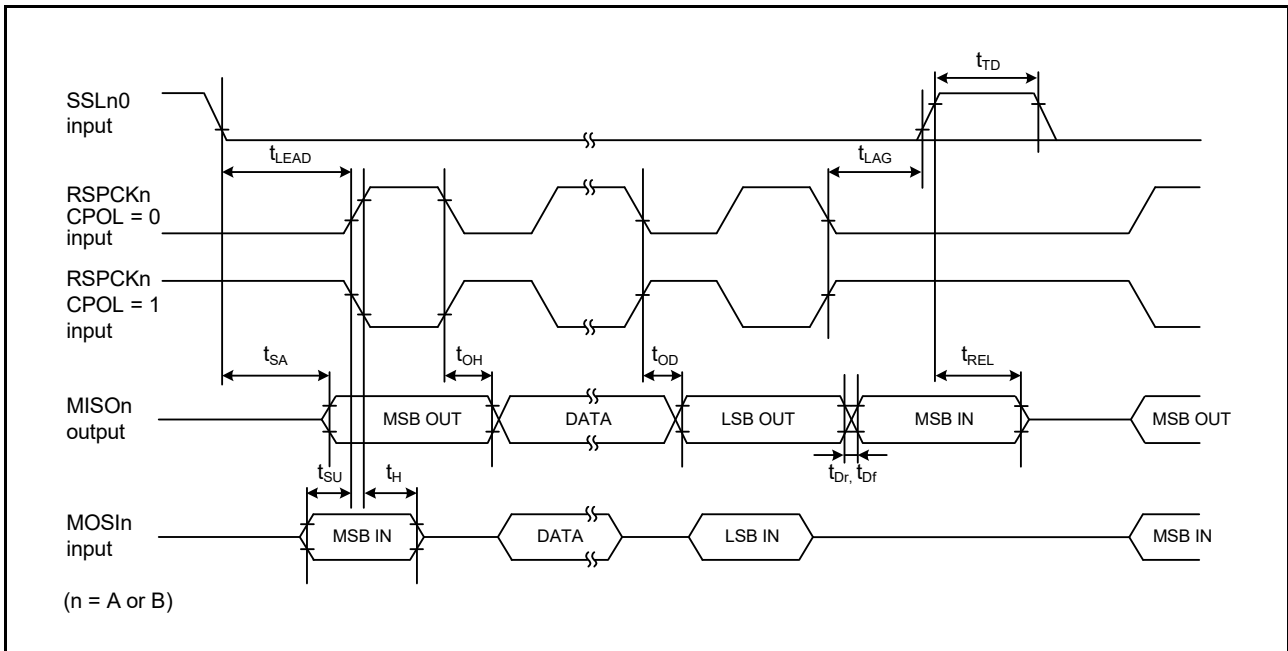


Figure 2.55 SPI timing (slave, CPHA = 0)

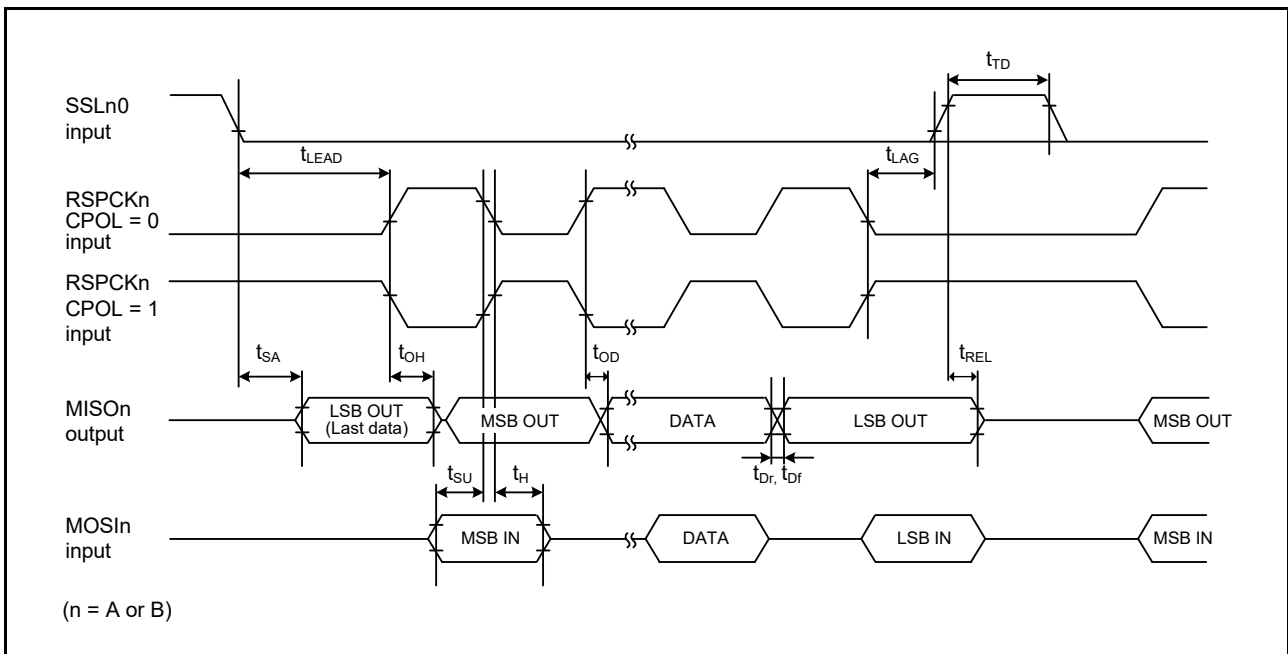


Figure 2.56 SPI timing (slave, CPHA = 1)

## 2.3.10 IIC Timing

**Table 2.35 IIC timing**

Conditions: VCC = AVCC0 = AVCC1 = 2.7 to 5.5 V

Parameter		Symbol	Min*1	Max	Unit	Test conditions
IIC (Standard mode, SMBus)	SCL input cycle time	$t_{SCL}$	$6 (12) \times t_{IICcyc} + 1300$	-	ns	Figure 2.57
	SCL input high pulse width	$t_{SCLH}$	$3 (6) \times t_{IICcyc} + 300$	-	ns	
	SCL input low pulse width	$t_{SCLL}$	$3 (6) \times t_{IICcyc} + 300$	-	ns	
	SCL, SDA input rise time	$t_{Sr}$	-	1000	ns	
	SCL, SDA input fall time	$t_{Sf}$	-	300	ns	
	SCL, SDA input spike pulse removal time	$t_{SP}$	0	$1 (4) \times t_{IICcyc}$	ns	
	SDA input bus free time (when wakeup function is disabled)	$t_{BUF}$	$3 (6) \times t_{IICcyc} + 300$	-	ns	
	SDA input bus free time (when wakeup function is enabled)	$t_{BUF}$	$3 (6) \times t_{IICcyc} + 4 \times t_{Pcyc} + 300$	-	ns	
	START condition input hold time (when wakeup function is disabled)	$t_{STAH}$	$t_{IICcyc} + 300$	-	ns	
	START condition input hold time (when wakeup function is enabled)	$t_{STAH}$	$1 (5) \times t_{IICcyc} + t_{Pcyc} + 300$	-	ns	
	Repeated START condition input setup time	$t_{STAS}$	1000	-	ns	
	STOP condition input setup time	$t_{STOS}$	1000	-	ns	
	Data input setup time	$t_{SDAS}$	$t_{IICcyc} + 50$	-	ns	
	Data input hold time	$t_{SDAH}$	0	-	ns	
	SCL, SDA capacitive load	$C_b$	-	400	pF	
IIC (Fast mode)	SCL input cycle time	$t_{SCL}$	$6 (12) \times t_{IICcyc} + 600$	-	ns	Figure 2.57
	SCL input high pulse width	$t_{SCLH}$	$3 (6) \times t_{IICcyc} + 300$	-	ns	
	SCL input low pulse width	$t_{SCLL}$	$3 (6) \times t_{IICcyc} + 300$	-	ns	
	SCL, SDA input rise time	$t_{Sr}$	-	300	ns	
	SCL, SDA input fall time	$t_{Sf}$	-	300	ns	
	SCL, SDA input spike pulse removal time	$t_{SP}$	0	$1 (4) \times t_{IICcyc}$	ns	
	SDA input bus free time (When wakeup function is disabled)	$t_{BUF}$	$3 (6) \times t_{IICcyc} + 300$	-	ns	
	SDA input bus free time (When wakeup function is enabled)	$t_{BUF}$	$3 (6) \times t_{IICcyc} + 4 \times t_{Pcyc} + 300$	-	ns	
	START condition input hold time (When wakeup function is disabled)	$t_{STAH}$	$t_{IICcyc} + 300$	-	ns	
	START condition input hold time (When wakeup function is enabled)	$t_{STAH}$	$1 (5) \times t_{IICcyc} + t_{Pcyc} + 300$	-	ns	
	Repeated START condition input setup time	$t_{STAS}$	300	-	ns	
	STOP condition input setup time	$t_{STOS}$	300	-	ns	
	Data input setup time	$t_{SDAS}$	$t_{IICcyc} + 50$	-	ns	
	Data input hold time	$t_{SDAH}$	0	-	ns	
	SCL, SDA capacitive load	$C_b$	-	400	pF	

Note:  $t_{IICcyc}$ : IIC internal reference clock (IIC $\phi$ ) cycle,  $t_{Pcyc}$ : PCLKB cycle

Note 1. Values in parentheses apply when ICMR3.NF[1:0] is set to 11b while the digital filter is enabled with ICFER.NFE set to 1.

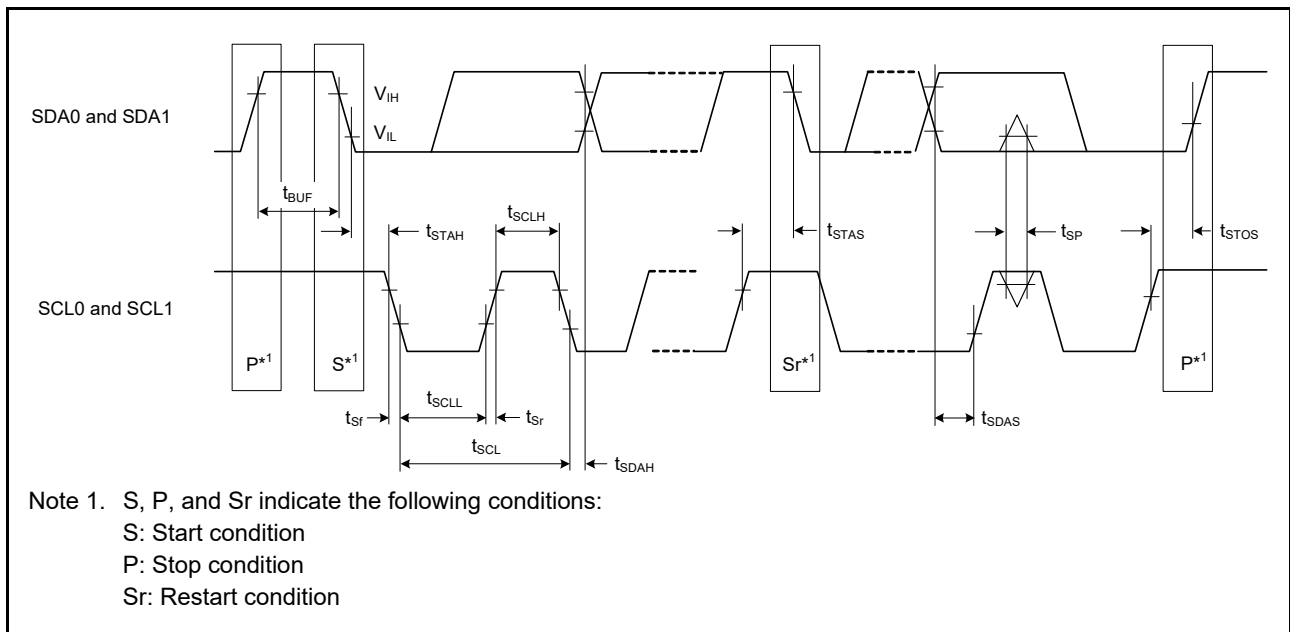


Figure 2.57 I<sup>2</sup>C bus interface input/output timing

2.3.11 CLKOUT Timing

Table 2.36 CLKOUT timing

Parameter	Symbol	Min	Max	Unit	Test conditions	
CLKOUT pin output cycle*1	t <sub>Cyc</sub>	2.7 V ≤ VCC ≤ 5.5 V	62.5	-	ns	Figure 2.58
		1.8 V ≤ VCC < 2.7 V	125	-		
		1.6 V ≤ VCC < 1.8 V	250	-		
CLKOUT pin high pulse width*2	t <sub>CH</sub>	2.7 V ≤ VCC ≤ 5.5 V	15	-	ns	
		1.8 V ≤ VCC < 2.7 V	30	-		
		1.6 V ≤ VCC < 1.8 V	150	-		
CLKOUT pin low pulse width*2	t <sub>CL</sub>	2.7 V ≤ VCC ≤ 5.5 V	15	-	ns	
		1.8 V ≤ VCC < 2.7 V	30	-		
		1.6 V ≤ VCC < 1.8 V	150	-		
CLKOUT pin output rise time	t <sub>Cr</sub>	2.7 V ≤ VCC ≤ 5.5 V	-	12	ns	
		1.8 V ≤ VCC < 2.7 V	-	25		
		1.6 V ≤ VCC < 1.8 V	-	50		
CLKOUT pin output fall time	t <sub>Cf</sub>	2.7 V ≤ VCC ≤ 5.5 V	-	12	ns	
		1.8 V ≤ VCC < 2.7 V	-	25		
		1.6 V ≤ VCC < 1.8 V	-	50		

Note 1. When the EXTAL external clock input or an oscillator is used with division by 1 (the CKOCR.CKOSSEL[2:0] bits are 011b and the CKOCR.CKODIV[2:0] bits are 000b) to output from CLKOUT, specifications in Table 2.36 should be satisfied with 45% to 55% of input duty cycle.

Note 2. When MOCO is selected as the clock output source (the CKOCR.CKOSSEL[2:0] bits are 001b), set the clock output division ratio to be divided by 2 (the CKOCR.CKODIV[2:0] bits are 001b).

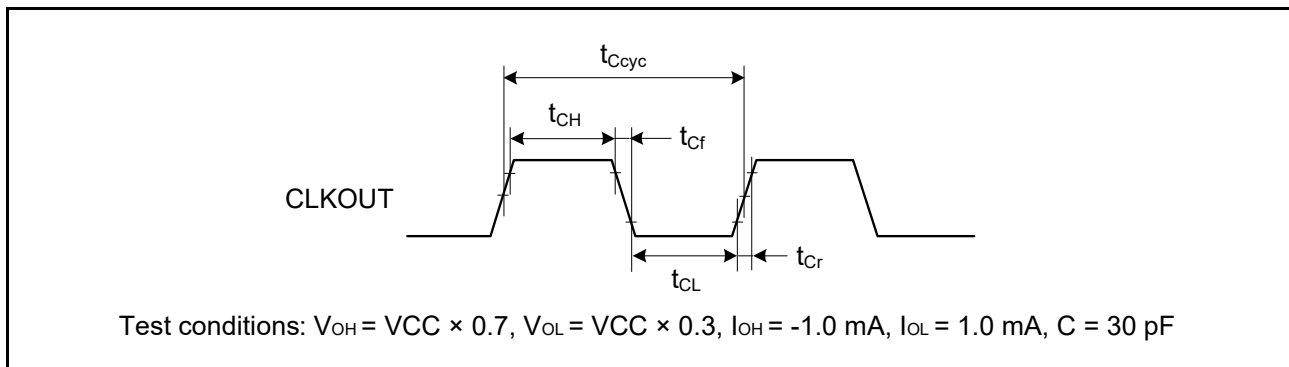


Figure 2.58 CLKOUT output timing

## 2.4 USB Characteristics

### 2.4.1 USBFS Timing

Table 2.37 USB characteristics

Conditions:  $VCC = AVCC0 = AVCC1 = VCC\_USB = 3.0 \text{ to } 3.6 \text{ V}$ ,  $T_a = -20 \text{ to } +85^\circ\text{C}$

Parameter	Symbol	Min	Max	Unit	Test conditions		
Input characteristics	Input high level voltage	$V_{IH}$	2.0	-	V	-	
	Input low level voltage	$V_{IL}$	-	0.8	V	-	
	Differential input sensitivity	$V_{DI}$	0.2	-	V	USB_DP - USB_DM	
	Differential common mode range	$V_{CM}$	0.8	2.5	V	-	
Output characteristics	Output high level voltage	$V_{OH}$	2.8	$VCC\_USB$	V	$I_{OH} = -200 \mu\text{A}$	
	Output low level voltage	$V_{OL}$	0.0	0.3	V	$I_{OL} = 2 \text{ mA}$	
	Cross-over voltage	$V_{CRS}$	1.3	2.0	V	Figure 2.59, Figure 2.60, Figure 2.61	
	Rise time	FS	$t_r$	4	20	ns	(Adjusting the resistance of external elements is not required.)
		LS		75	300		
	Fall time	FS	$t_f$	4	20	ns	
		LS		75	300		
	Rise/fall time ratio	FS	$t_r/t_f$	90	111.11	%	
LS			80	125			
Output resistance	$Z_{DRV}$	28	44	$\Omega$			
VBUS characteristics	VBUS input voltage	$V_{IH}$	$VCC \times 0.8$	-	V	-	
		$V_{IL}$	-	$VCC \times 0.2$	V	-	
Pull-up, pull-down	Pull-down resistor	$R_{PD}$	14.25	24.80	k $\Omega$	-	
	Pull-up resistor	$R_{PUI}$	0.9	1.575	k $\Omega$	During idle state	
		$R_{PUA}$	1.425	3.09	k $\Omega$	During reception	
Battery charging specification version 1.2	D+ sink current	$I_{DP\_SINK}$	25	175	$\mu\text{A}$	-	
	D- sink current	$I_{DM\_SINK}$	25	175	$\mu\text{A}$	-	
	DCD source current	$I_{DP\_SRC}$	7	13	$\mu\text{A}$	-	
	Data detection voltage	$V_{DAT\_REF}$	0.25	0.4	V	-	
	D+ source voltage	$V_{DP\_SRC}$	0.5	0.7	V	Output current = 250 $\mu\text{A}$	
	D- source voltage	$V_{DM\_SRC}$	0.5	0.7	V	Output current = 250 $\mu\text{A}$	

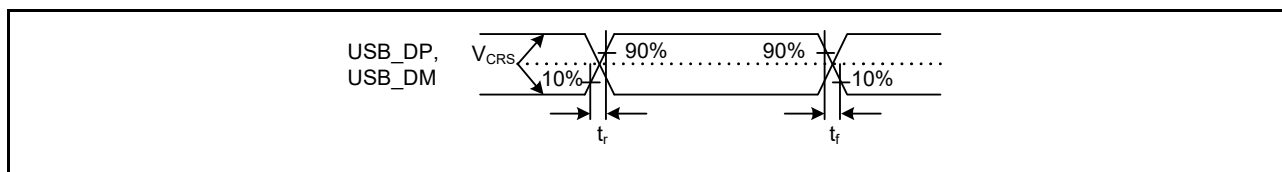


Figure 2.59 USB\_DP and USB\_DM output timing

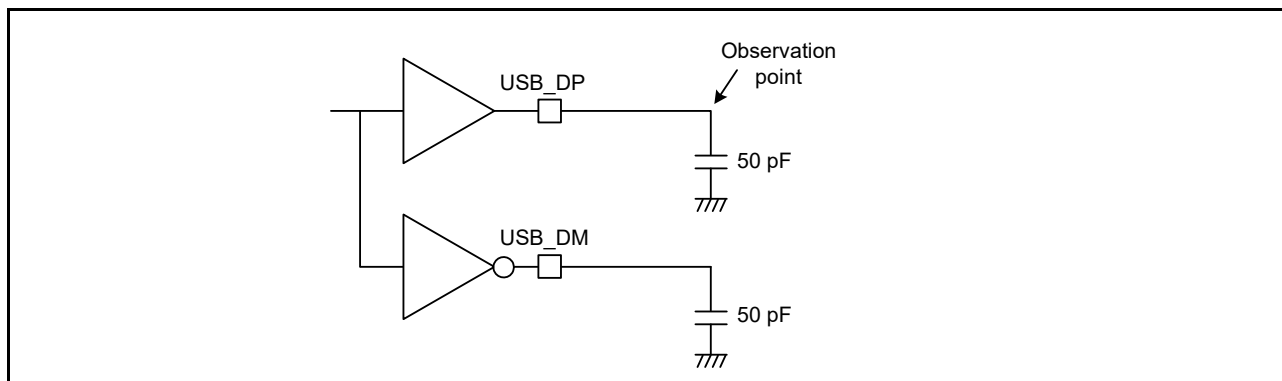


Figure 2.60 Test circuit for Full-Speed (FS) connection

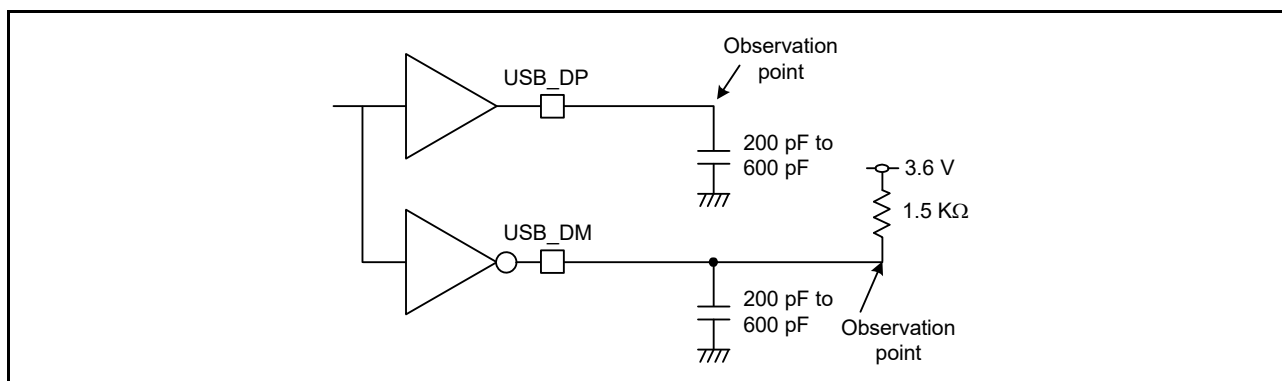


Figure 2.61 Test circuit for Low-Speed (LS) connection

### 2.4.2 USB External Supply

Table 2.38 USB regulator

Parameter		Min	Typ	Max	Unit	Test conditions
VCC_USB supply current	$3.8\text{ V} \leq VCC\_USB\_LDO < 4.5\text{ V}$	-	-	50	mA	-
	$4.5\text{ V} \leq VCC\_USB\_LDO \leq 5.5\text{ V}$	-	-	100	mA	-
VCC_USB supply voltage		3.0	-	3.6	V	-

## 2.5 ADC16 Characteristics

**Table 2.39 16-bit A/D conversion, power supply, and input range conditions**

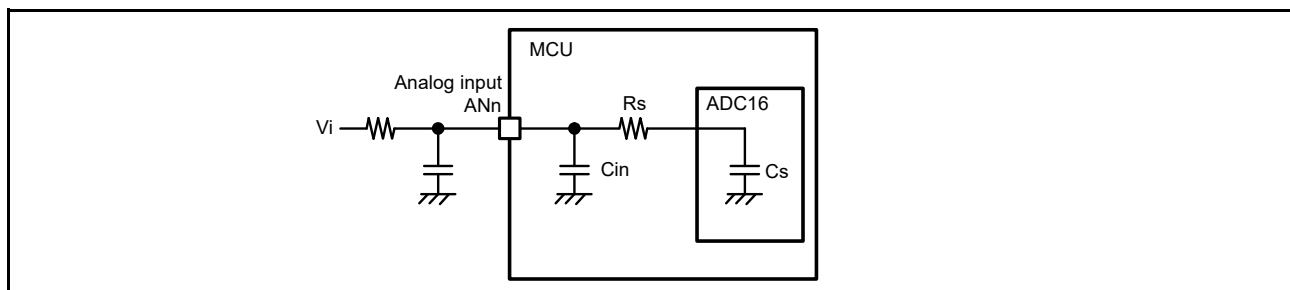
Conditions:  $V_{CC} = AV_{CC0} = AV_{CC1} = 1.7$  to  $5.5$  V,  $V_{REFH0} = 1.7$  to  $5.5$  V,  $V_{SS} = AV_{SS0} = AV_{SS1} = V_{REFL0} = 0$  V  
Reference voltage range applied to the  $V_{REFH0}$  and  $V_{REFL0}$ .

Parameter	Min	Typ	Max	Unit	Test conditions	
High-potential reference voltage	1.5	3.3	$AV_{CC0}$	V	-	
Low-potential reference voltage	-	$AV_{SS0}$	-	V	-	
Analog input voltage range	0	-	$V_{REFH0}$	V	-	
Input common-mode range	Acm	0	$V_{REFH0}/2$	$V_{REFH0}$	V	Differential analog input
Analog input capacitance*2	Cs	-	-	4.3	pF	-
Analog input resistance*1	Rs	-	-	0.7	k $\Omega$	High-precision channel $2.7$ V $\leq AV_{CC0} \leq 5.5$ V
		-	-	1.5		High-precision channel $1.7$ V $\leq AV_{CC0} < 2.7$ V
		-	-	2.5		Normal-precision channel $2.7$ V $\leq AV_{CC0} \leq 5.5$ V
		-	-	3.8		Normal-precision channel $1.7$ V $\leq AV_{CC0} < 2.7$ V

Note 1. These values are based on simulation. They are not production tested.

Note 2. Except for I/O input capacitance ( $C_{in}$ ), see [section 2.2.4, I/O VOH, VOL, and Other Characteristics](#).

Figure 2.62 shows the equivalent circuit for analog input.



**Figure 2.62 Equivalent circuit for analog input**

**Table 2.40 16-bit A/D conversion, timing parameters (1 of 2)**

Conditions:  $V_{CC} = AV_{CC0} = AV_{CC1} = 1.7$  to  $5.5$  V,  $V_{REFH0} = 1.7$  to  $5.5$  V,  $V_{SS} = AV_{SS0} = AV_{SS1} = V_{REFL0} = 0$  V  
Reference voltage range applied to the  $V_{REFH0}$  and  $V_{REFL0}$ .

Parameter	Symbol	Min	Typ	Max	Unit	Test conditions
Frequency	ADCLK	1	-	32	MHz	$3.0$ V $\leq AV_{CC0} \leq 5.5$ V, $3.0$ V $\leq V_{REFH0}$
		1	-	24		$2.7$ V $\leq AV_{CC0} \leq 5.5$ V, $2.7$ V $\leq V_{REFH0}$
		1	-	16		$2.4$ V $\leq AV_{CC0} \leq 5.5$ V, $1.5$ V $\leq V_{REFH0}$
		1	-	8		$1.8$ V $\leq AV_{CC0} \leq 5.5$ V, $1.5$ V $\leq V_{REFH0}$
		1	-	4		$1.7$ V $\leq AV_{CC0} \leq 5.5$ V, $1.5$ V $\leq V_{REFH0}$
Conversion rate	Fs	-	-	$1 / (T_{smp} + 18 / ADCLK)$	S/s	-

**Table 2.40 16-bit A/D conversion, timing parameters (2 of 2)**

Conditions: VCC = AVCC0 = AVCC1 = 1.7 to 5.5 V, VREFH0 = 1.7 to 5.5 V, VSS = AVSS0 = AVSS1 = VREFL0 = 0 V  
Reference voltage range applied to the VREFH0 and VREFL0.

Parameter	Symbol	Min	Typ	Max	Unit	Test conditions
Sampling time*Note: Permissible signal source impedance Max = 0.5 kΩ	T <sub>smp</sub>	0.25	-	-	μs	High-precision channel 2.7 V ≤ AVCC0 ≤ 5.5 V
		3	-	-		High-precision channel 1.7 V ≤ AVCC0 < 2.7 V
		3	-	-		Normal-precision channel 2.7 V ≤ AVCC0 ≤ 5.5 V
		10	-	-		Normal-precision channel 1.7 V ≤ AVCC0 < 2.7 V
Settling time*Note:	T <sub>start</sub>	-	-	1	μs	2.7 V ≤ AVCC0 ≤ 5.5 V
		-	-	3.2		1.8 V ≤ AVCC0 < 2.7 V
		-	-	8.9		1.7 V ≤ AVCC0 < 1.8 V

Note: These values are based on simulation. They are not production tested.

**Table 2.41 16-bit A/D conversion, linearity parameters**

Conditions: VCC = AVCC0 = AVCC1 = 1.7 to 5.5 V, VREFH0 = 1.7 to 5.5 V, VSS = AVSS0 = AVSS1 = VREFL0 = 0 V  
External clock input used. Reference voltage range applied to the VREFH0 and VREFL0.

Parameter	Symbol	Min	Typ	Max	Unit	Test conditions
Resolution	-	-	16	-	Bit	-
Integral non-linearity *1	INL	-	± 4	± 8	LSB	2.7 V ≤ AVCC0 ≤ 5.5 V, 2.7 V ≤ VREFH0
		-	-	± 16		1.7 V ≤ AVCC0 < 2.7 V
Differential non-linearity*1	DNL	-	-1 to +2	-	LSB	-
Offset error*1	Ofst	-	± 4	-	LSB	-
Gain error*1	Gerr	-	-	±0.1	%	2.7 V ≤ VREFH0

Note: The characteristics apply when no pin functions other than 16-bit A/D converter input are used. Offset error, full-scale error, DNL differential non-linearity error, and INL integral non-linearity error do not include quantization errors.

Note 1. These values are based on simulation. They are not production tested.

**Table 2.42 16-bit A/D conversion, dynamic parameters (1) (1 of 2)**

Conditions: VCC = AVCC0 = AVCC1 = 1.7 to 5.5 V, VREFH0 = 1.7 to 5.5 V, VSS = AVSS0 = AVSS1 = VREFL0 = 0 V  
External clock input used. Reference voltage range applied to VREFH0 and VREFL0.

Parameter	Symbol	Min	Typ	Max	Unit	Test conditions
Signal-to-noise and distortion*2	SINAD	67	81	-	dB	Differential input, Fin = 1 kHz, VREFH0 = 1.7 V to 5.5 V, AVCC0 = 1.7 V to 5.5 V
		78	81	-		Differential input, Fin = 1 kHz, VREFH0 = 3.3 V, AVCC0 = 3.3 V
		-	92	-		Differential input, Fin = 1 kHz, VREFH0 = 3.3 V, AVCC0 = 3.3 V, ADADC.ADC[2:0] = 101b
		61	75	-		Single input, Fin = 1 kHz, VREFH0 = 1.7 V to 5.5 V, AVCC0 = 1.7 V to 5.5 V
		72	75	-		Single input, Fin = 1 kHz, VREFH0 = 3.3 V, AVCC0 = 3.3 V



**Table 2.42 16-bit A/D conversion, dynamic parameters (1) (2 of 2)**

Conditions: VCC = AVCC0 = AVCC1 = 1.7 to 5.5 V, VREFH0 = 1.7 to 5.5 V, VSS = AVSS0 = AVSS1 = VREFL0 = 0 V  
External clock input used. Reference voltage range applied to VREFH0 and VREFL0.

Parameter	Symbol	Min	Typ	Max	Unit	Test conditions
Effective number of bits*2	ENOB	11	13.2	-	bit	Differential input, Fin = 1 kHz, VREFH0 = 1.7 V to 5.5 V, AVCC0 = 1.7 V to 5.5 V
		12.7	13.2	-		Differential input, Fin = 1 kHz, VREFH0 = 3.3 V, AVCC0 = 3.3 V
		-	15	-		Differential input, Fin = 1 kHz, VREFH0 = 3.3 V, AVCC0 = 3.3 V, ADADC.ADC[2:0] = 101b
		10	12.2	-		Single input, Fin = 1 kHz, VREFH0 = 1.7 V to 5.5 V, AVCC0 = 1.7 V to 5.5 V
		11.7	12.2	-		Single input, Fin = 1 kHz, VREFH0 = 3.3 V, AVCC0 = 3.3 V
Total harmonic distortion*1, *2	THD	-	-100	-	dB	Differential input, Fin = 1 kHz, AVCC0 = 3.3 V
		-	-90	-		Single input, Fin = 1 kHz, AVCC0 = 3.3 V
Common mode rejection ratio*2	CMRR	-	100	-	dB	Differential input, Acm = 0 to VREFH0 at 1 kHz, AVCC0 = 3.3 V

Note: The characteristics apply when no pin functions other than 16-bit A/D converter input are used.

Note 1. THD = HD2 + HD3 + HD4 + HD5.

Note 2. These values are based on simulation. They are not production tested.

**Table 2.43 16-bit A/D conversion, dynamic parameters (2)**

Conditions: VCC = AVCC0 = AVCC1 = 1.7 to 5.5 V, VSS = AVSS0 = AVSS1 = VREFL0 = 0 V  
External clock input used.

Parameter	Symbol	Min	Typ	Max	Unit	Test conditions
Signal-to-noise and distortion*1	SINAD	-	78.6	-	dB	Differential input, Fin = 1 kHz, AVCC0 = 3.3 V, VREFADC output = 2.5 V
		-	76.6	-		Differential input, Fin = 1 kHz, AVCC0 = 3.3 V, VREFADC output = 2.0 V
		-	74.2	-		Differential input, Fin = 1 kHz, AVCC0 = 3.3 V, VREFADC output = 1.5 V
Effective number of bits*1	ENOB	-	12.8	-	bit	Differential input, Fin = 1 kHz, AVCC0 = 3.3 V, VREFADC output = 2.5 V
		-	12.4	-		Differential input, Fin = 1 kHz, AVCC0 = 3.3 V, VREFADC output = 2.0 V
		-	12.0	-		Differential input, Fin = 1 kHz, AVCC0 = 3.3 V, VREFADC output = 1.5 V

Note: The characteristics apply when no pin functions other than 16-bit A/D converter input are used.

Note 1. These values are based on simulation. They are not production tested.

**Table 2.44 16-bit A/D converter channel classification**

Classification	Channel	Conditions
High-precision channel	AN000 to AN008	AVCC0 = 1.7 to 5.5 V
Normal-precision channel	AN016 to AN023	
Internal reference voltage input channel	Internal reference voltage	AVCC0 = 2.0 to 5.5 V
Temperature sensor input channel	Temperature sensor output	AVCC0 = 2.0 to 5.5 V

**Table 2.45 Internal reference voltage for 16-bit ADC (VREFADC) characteristics**

Conditions: VCC = AVCC0 = AVCC1 = 1.7 V to 5.5 V\*1

Parameter	Min	Typ	Max	Unit	Test conditions
Output voltage range	1.41	1.5	1.59	V	VREFAMPCNT.VREFADCG[1:0] = 00b AVCC0 ≥ 1.7 V
	1.88	2	2.12		VREFAMPCNT.VREFADCG[1:0] = 10b AVCC0 ≥ 2.2 V
	2.35	2.5	2.65		VREFAMPCNT.VREFADCG[1:0] = 11b AVCC0 ≥ 2.7 V
BGR stabilization time*2 (after BGR is enabled)	-	-	150	μs	VREFAMPCNT.BGREN = 1
VREF AMP stabilization time*2 (after VREFAMP is enabled)	-	-	1500	μs	VREFAMPCNT.VREFADCEN = 1
Detect over current*2	-	20	40	mA	-
Load capacitance*1	0.75	1	1.25	μF	-

Note 1. Connect capacitors as stabilization capacitance between the VREFH0 and AVSS0 pins when VREFADC is used.

Note 2. These values are based on simulation. They are not production tested.

**Table 2.46 A/D internal reference voltage characteristics**

Conditions: VCC = AVCC0 = AVCC1 = VREFH0 = 2.0 to 5.5 V\*1

Parameter	Min	Typ	Max	Unit	Test conditions
Internal reference voltage input channel*2	1.36	1.43	1.50	V	-
Sampling time*3	5.0	-	-	μs	-

Note 1. The internal reference voltage cannot be selected for input channels when AVCC0 &lt; 2.0 V.

Note 2. The 16-bit A/D internal reference voltage indicates the voltage when the internal reference voltage is input to the 16-bit A/D converter.

Note 3. This is a parameter for ADC16 when the internal reference voltage is selected for an analog input channel in ADC16.

## 2.6 SDADC24 Characteristics

**Table 2.47 Analog inputs characteristics (1 of 2)**

Conditions: VCC = AVCC0 = AVCC1 = 2.7 to 5.5 V, VSS = AVSS0 = AVSS1 = 0 V

Parameter	Symbol	Min	Typ	Max	Unit	Test conditions	
Full-scale range	F <sub>SR</sub>	-	± 0.8 / G <sub>TOTAL</sub>	-	V	-	
Analog input in differential input mode	Differential input voltage range	V <sub>ID</sub>	-0.8 / G <sub>TOTAL</sub>	-	0.8 / G <sub>TOTAL</sub>	V	V <sub>ID</sub> = ANSDnP - ANSDnN, or AMP0O - AMP1O (n = 0 to 3), d <sub>OFR</sub> = 0 mV
	Input voltage range	V <sub>I</sub>	0.2	-	1.8	V	V <sub>I</sub> = ANSDnP, ANSDnN, AMP0O, or AMP1O (n = 0 to 3)
	Common mode Input voltage range	V <sub>COM</sub>	0.2 + ( V <sub>ID</sub>   × G <sub>SET1</sub> ) / 2	1.0	1.8 - ( V <sub>ID</sub>   × G <sub>SET1</sub> ) / 2	V	d <sub>OFR</sub> = 0 mV

**Table 2.47 Analog inputs characteristics (2 of 2)**

Conditions: VCC = AVCC0 = AVCC1 = 2.7 to 5.5 V, VSS = AVSS0 = AVSS1 = 0 V

Parameter		Symbol	Min	Typ	Max	Unit	Test conditions
Analog Input in single-ended input mode	Input voltage range*1	V <sub>I</sub>	0.2	-	1.8	V	V <sub>I</sub> = ANSDnP, ANSDnN, AMP00, or AMP10 (n = 0 to 3), V <sub>COM</sub> = 1.0 V, d <sub>OFR</sub> = 0 mV, G <sub>SET1</sub> = 1, G <sub>SET2</sub> = 1, OSR = 256

Note 1. The single-ended input mode supports only d<sub>OFR</sub> = 0 mV, G<sub>SET1</sub> = 1, G<sub>SET2</sub> = 1 and OSR = 256.**Table 2.48 Programmable gain instrumentation amplifier and sigma-delta A/D converter (1)**

Conditions: VCC = AVCC0 = AVCC1 = 2.7 to 5.5 V, VSS = AVSS0 = AVSS1 = 0 V

Parameter		Symbol	Min	Typ	Max	Unit	Test conditions
Resolution		RES	-	24	-	bits	-
Over sampling frequency	Normal A/D conversion mode	F <sub>OS</sub>	-	1	-	MHz	-
	Low-power A/D conversion mode		-	0.125	-		
Output data rate		f <sub>DATA1</sub>	0.48828	-	15.625	ksps	Normal A/D conversion mode
		f <sub>DATA2</sub>	61.03615	-	1953.125	sps	Low-power A/D conversion mode
Gain Setting range		G <sub>TOTAL</sub>	1	-	32	V/V	G <sub>TOTAL</sub> = G <sub>SET1</sub> × G <sub>SET2</sub>
1st Gain Setting range		G <sub>SET1</sub>	-	1, 2, 3, 4, 8	-	V/V	-
2nd Gain Setting range		G <sub>SET2</sub>	-	1, 2, 4, 8	-	V/V	-
Offset adjust bit range		d <sub>OFB</sub>	-	5	-	bits	-
Offset adjust range		d <sub>OFR</sub>	-164.06 / G <sub>SET1</sub>	-	+164.06 / G <sub>SET1</sub>	mV	Referred to input
Offset adjust step		d <sub>OFS</sub>	-	350 / 32 / G <sub>SET1</sub>	-	mV	Referred to input

**Table 2.49 Programmable gain instrumentation amplifier and sigma-delta A/D converter (2)**

Conditions: VCC = AVCC0 = AVCC1 = 2.7 to 5.5 V, VSS = AVSS0 = AVSS1 = 0 V

The electrical specifications are applied at differential input mode, external clock input used, F<sub>OS</sub> = 1 MHz, d<sub>OFR</sub> = 0 mV, unless otherwise specified.

Parameter	Symbol	Min	Typ	Max	Unit	Test conditions	
Signal to Noise Ratio*1,*3 V <sub>ID</sub> = 0 V	SNR	83	86	-	dB	G <sub>SET1</sub> = 1, G <sub>SET2</sub> = 1	OSR = 256
		81	84	-	dB	G <sub>SET1</sub> = 8, G <sub>SET2</sub> = 4	OSR = 1024
Signal to Noise and Distortion Ratio*1, *2,*3 f <sub>in</sub> = 50 Hz	SINAD	82	85	-	dB	G <sub>SET1</sub> = 1, G <sub>SET2</sub> = 1	OSR = 256
		79	82	-	dB	G <sub>SET1</sub> = 8, G <sub>SET2</sub> = 4	OSR = 1024
		74	80	-	dB	G <sub>SET1</sub> = 1, G <sub>SET2</sub> = 1	OSR = 256, Single-ended input mode

Note: The characteristics apply when no pin functions other than 24-bit sigma-delta A/D converter input are used.

Note 1. SNR and SINAD are the ratio to Full-Scale Range (FSR) of analog inputs. These do not include the noise of analog inputs.

Note 2. When V<sub>ID</sub> is equal to ± 0.8 / G<sub>TOTAL</sub> actually, the digital output may overflow due to Gain Error (E<sub>G</sub>), Offset Error (E<sub>OS</sub>), and so forth. As a result, SINAD is degraded. See Table 33.7 Input voltage for the SDADC24 and results of A/D conversion in User's Manual for the relation between analog input and digital output.

Note 3. Not production tested but is guaranteed by the design and characterization.

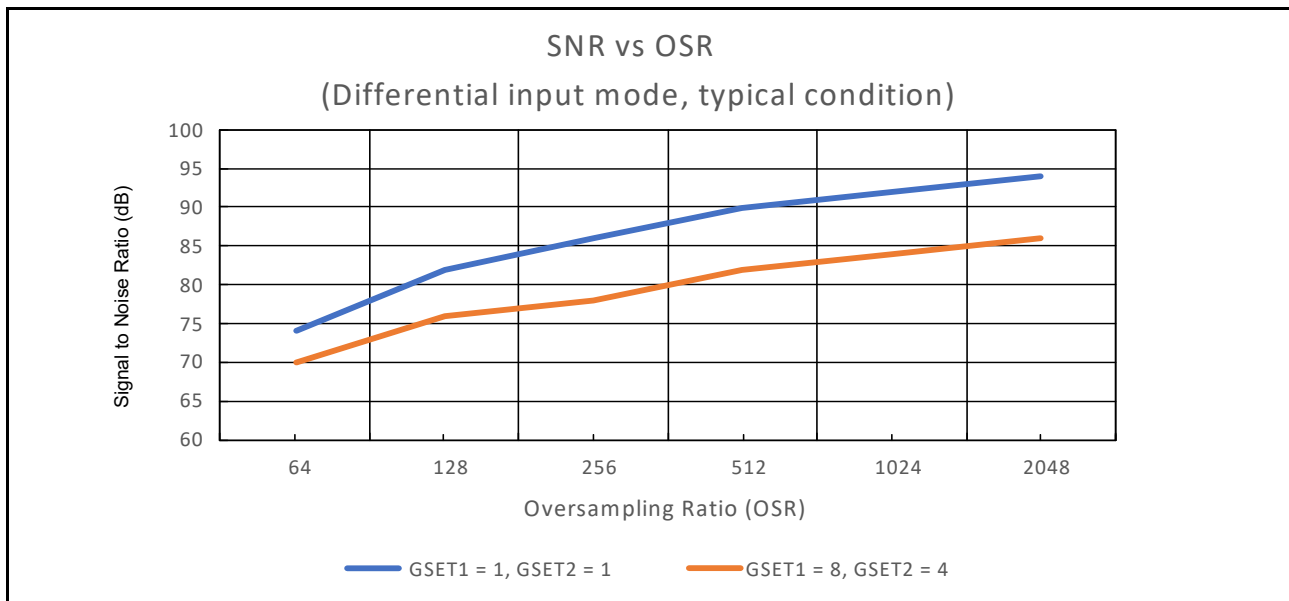


Figure 2.63 SNR vs. OSR (reference data)

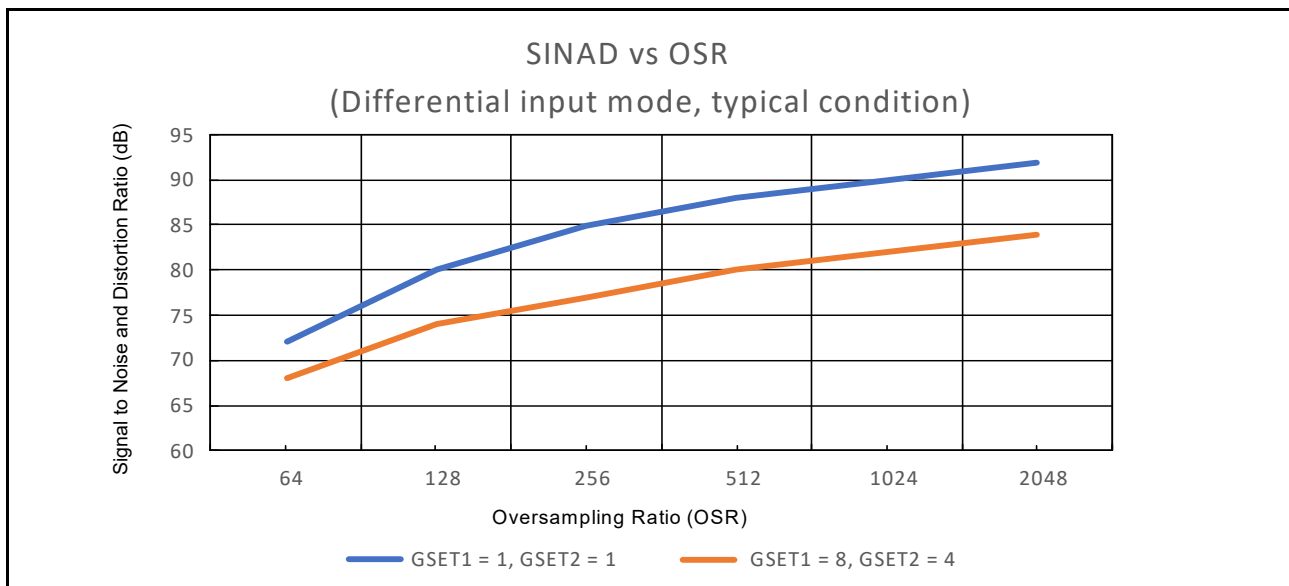


Figure 2.64 SINAD vs. OSR (reference data)

Table 2.50 Programmable gain instrumentation amplifier and sigma-delta A/D converter (3) (1 of 2)

Conditions: VCC = AVCC0 = AVCC1 = 2.7 to 5.5 V, VSS = AVSS0 = AVSS1 = 0 V

The electrical specifications are applied at the differential input mode, with external clock input used, Fos = 1 MHz, OSR = 256, and d<sub>OFFR</sub> = 0 mV, unless otherwise specified.

Parameter	Symbol	Min	Typ	Max	Unit	Test conditions
Gain error*2 (excluding SINC3 frequency response characteristic)	E <sub>G</sub>	-0.5	-	0.5	%	After internal calibration, excluding SBIAS error or VREF1 error, G <sub>SET1</sub> = 1, G <sub>SET2</sub> = 1
		-3	-	3		Single-ended input mode, excluding SBIAS error or VREF1 error, G <sub>SET1</sub> = 1, G <sub>SET2</sub> = 1

**Table 2.50 Programmable gain instrumentation amplifier and sigma-delta A/D converter (3) (2 of 2)**

Conditions: VCC = AVCC0 = AVCC1 = 2.7 to 5.5 V, VSS = AVSS0 = AVSS1 = 0 V

The electrical specifications are applied at the differential input mode, with external clock input used, Fos = 1 MHz, OSR = 256, and d<sub>OFR</sub> = 0 mV, unless otherwise specified.

Parameter	Symbol	Min	Typ	Max	Unit	Test conditions
Gain drift*1, *2	dE <sub>G</sub>	-	6	22	ppm/°C	Excluding SBIAS error or VREFI error, G <sub>SET1</sub> = 1, G <sub>SET2</sub> = 1
Offset error*2	E <sub>OS</sub>	-1	-	1	mV	After internal calibration, G <sub>SET1</sub> = 1, G <sub>SET2</sub> = 1, referred to input
		-50	-	50		Single-ended input mode, including SBIAS error, G <sub>SET1</sub> = 1, G <sub>SET2</sub> = 1, referred to input
Offset drift*1, *2	dE <sub>OS</sub>	-	2	6	μV/°C	Referred to input
		-	-	120		Single-ended input mode, including SBIAS error, G <sub>SET1</sub> = 1, G <sub>SET2</sub> = 1
Integral non-linearity*2	INL	-	15	-	ppm of FSR	Input = DC, OSR = 2048
Common mode Rejection ratio*2	CMRR	-	80	-	dB	V <sub>COM</sub> = 1.0 ± 0.8 V, f <sub>in</sub> = 50 Hz, G <sub>SET1</sub> = 1, G <sub>SET2</sub> = 1
Power supply Rejection ratio*2	PSRR	-	70	-	dB	AVCC1 = 5.0 V + 0.1 V <sub>pp_ripple</sub> , f <sub>in</sub> = 50 Hz, G <sub>SET1</sub> = 1, G <sub>SET2</sub> = 1, excluding SBIAS error or VREFI error
Input absolute current*2	I <sub>IN</sub>	-	2	-	nA	V <sub>I</sub> = 1 V
Input offset current*2	I <sub>INOFFR</sub>	-	1	-	nA	V <sub>ID</sub> = 0 V, V <sub>COM</sub> = 1 V
Input impedance*2	Z <sub>IN</sub>	-	500	-	Mohm	V <sub>ID</sub> = 1 V, V <sub>COM</sub> = 1 V
Offset adjust gain error*2	d <sub>OFGE</sub>	-5	-	5	%	Including SBIAS error, d <sub>OFR</sub> ≠ 0 mV
Offset adjust integral non-linearity*2	d <sub>OFINL</sub>	-0.5	-	0.5	LSB	d <sub>OFR</sub> ≠ 0 mV

Note: The characteristics apply when no pin functions other than 24-bit sigma-delta A/D converter input are used.

Note 1. Gain drift is calculated by (Max (EG (T (-40°C) to T (125°C))) - Min (EG (T (-40°C) to T (125°C)))) / (125°C - (-40°C))

Offset drift is calculated by (Max (EOS (T (-40°C) to T (125°C))) - Min (EOS (T (-40°C) to T (125°C)))) / (125°C - (-40°C)).

Note 2. Not production tested but is guaranteed by the design and characterization.

**Table 2.51 2.1 V LDO linear regulator for ADC (ADREG) characteristics**

Conditions: VCC = AVCC0 = AVCC1 = 2.7 to 5.5 V, VSS = AVSS0 = AVSS1 = 0 V

Connect the ADREG pin to a AVSS1 pin by a 0.47 μF (-50% to +20%) capacitor.

Parameter	Symbol	Min	Typ	Max	Unit	Test conditions
ADREG output voltage	V <sub>ADREG</sub>	-	2.1	-	V	-

**Table 2.52 ADC external reference voltage (VREFI) characteristics**

Conditions: VCC = AVCC0 = AVCC1 = 2.7 to 5.5 V, VSS = AVSS0 = AVSS1 = 0 V

Parameter	Symbol	Min	Typ	Max	Unit	Test conditions
External reference voltage range*1	VREFI	0.8		2.4	V	SDADCSTC1.VREFSEL = 1
External reference voltage step	VR <sub>STEP</sub>		0.2		V	SDADCSTC1.VREFSEL = 1
External reference voltage accuracy	VR <sub>A</sub>	-3		3	%	SDADCSTC1.VREFSEL = 1

Note 1. Select the reference voltage input value with STC1.VSBIAS[3:0].

**Table 2.53 Sensor bias (SBIAS) characteristics**

Conditions: VCC = AVCC0 = AVCC1 = 2.7 to 5.5 V, VSS = AVSS0 = AVSS1 = 0 V  
 Connect the SBIAS/VREF1 pin to a AVSS1 pin by a 0.22  $\mu$ F (-20% to +20%)

Parameter	Symbol	Min	Typ	Max	Unit	Test conditions
Output voltage range*2	SBIAS	0.8	-	2.2	V	-
Output voltage step	SV <sub>STEP</sub>	-	0.2	-	V	-
Output voltage accuracy*1	SV <sub>A</sub>	-3	-	3	%	SI <sub>OUT</sub> = 1 mA
Output current*1	SI <sub>OUT</sub>	-	-	10	mA	-
Short current*1	SI <sub>SHORT</sub>	-	35	65	mA	SBIAS = 0 V
Load regulation*1	SL <sub>R</sub>	-	-	15	mV	1 mA ≤ SI <sub>OUT</sub> ≤ 5 mA
		-	-	20	mV	1 mA ≤ SI <sub>OUT</sub> ≤ 10 mA
Power supply rejection ratio*1	SPSRR	-	50	-	dB	AVCC1 = 5.0 V + 0.1 V <sub>pp_ripple</sub> , f = 100 Hz, SI <sub>OUT</sub> = 2.5 mA
Transition time of one step*1,*3	ST <sub>TS</sub>	-	-	80	$\mu$ s	SBIAS < SV <sub>A</sub> ± 3%
		-	-	-	-	1 mA ≤ SI <sub>OUT</sub> ≤ SI <sub>OUT_MAX</sub>

Note 1. Not production tested but is guaranteed by the design and characterization.

Note 2. Select the reference voltage output value for the sensor with STC1.VSBIAS[3:0].

Note 3. The load current of more than 1 mA is required because the output stage of SBIAS is Pch open drain. When the original load current is small, additional external load resistance is required.

## 2.7 DAC12 Characteristics

**Table 2.54 12-bit D/A conversion characteristics**

Conditions: VCC = AVCC0 = AVCC1 = 1.7 V to 5.5 V, VREFH = 1.7 V to 5.5 V, VSS = AVSS0 = AVSS1 = VREFL = 0 V

Parameter		Min	Typ	Max	Unit	Test conditions
Resolution		-	-	12	bit	-
Charge pump stabilization time*1		-	-	100	$\mu$ s	-
SW stabilization time*1		-	-	50	$\mu$ s	-
Conversion time*1	DAC Ref. = AVCC or VREFH ≥ 2.7 V	-	-	1.0	$\mu$ s	Cl <sub>oad</sub> = 38 pF, @ 1 LSB step Cl <sub>oad</sub> = 8 pF, @ full range
	DAC Ref. = AVCC or VREFH < 2.7 V	-	-	1.2	$\mu$ s	-
Wake-up time*1		-	-	1.0	$\mu$ s	-
Absolute accuracy		-	-	± 12	LSB	2-M $\Omega$ resistive load
DNL differential non-linearity error	DAC Ref. = AVCC or VREFH ≥ 2.7 V	-	-	±1.0	LSB	-
	DAC Ref. = AVCC or VREFH < 2.7 V	-	-	±2.0	LSB	-
INL integral non-linearity error		-	-	±7.0	LSB	-
RO output resistance		-	3.5	-	k $\Omega$	-
Load resistance		2	2	-	M $\Omega$	-
Load capacitance	1 LSB step	-	38	-	pF	-
	Full range	-	8	-	pF	-

Note 1. These values are based on simulation. They are not production tested.

## 2.8 DAC8 Characteristics

**Table 2.55 8-bit D/A conversion characteristics**

Conditions: VCC = AVCC0 = AVCC1 = 1.7 V to 5.5 V, VSS = AVSS0 = AVSS1 = 0 V

Parameter		Min	Typ	Max	Unit	Test conditions
Resolution		-	-	8	bit	-
Charge pump stabilization time*1		-	-	100	μs	-
Switch stabilization time*1		-	-	50	μs	-
Conversion time*1	AVCC0 = 2.7 to 5.5 V	-	-	3.0	μs	35-pF capacitive load
	AVCC0 = 1.7 to 2.7 V	-	-	6.0	μs	
Absolute accuracy	AVCC0 = 2.7 to 5.5 V	-	-	± 3.0	LSB	2-MΩ resistive load
	AVCC0 = 1.7 to 2.7 V	-	-	± 3.5		
	AVCC0 = 2.7 to 5.5 V	-	-	± 2.0	LSB	4-MΩ resistive load
	AVCC0 = 1.7 to 2.7 V	-	-	± 2.5		
RO output resistance		-	7.4	-	kΩ	-

Note 1. These values are based on simulation. They are not production tested.

## 2.9 TSN Characteristics

**Table 2.56 TSN characteristics**

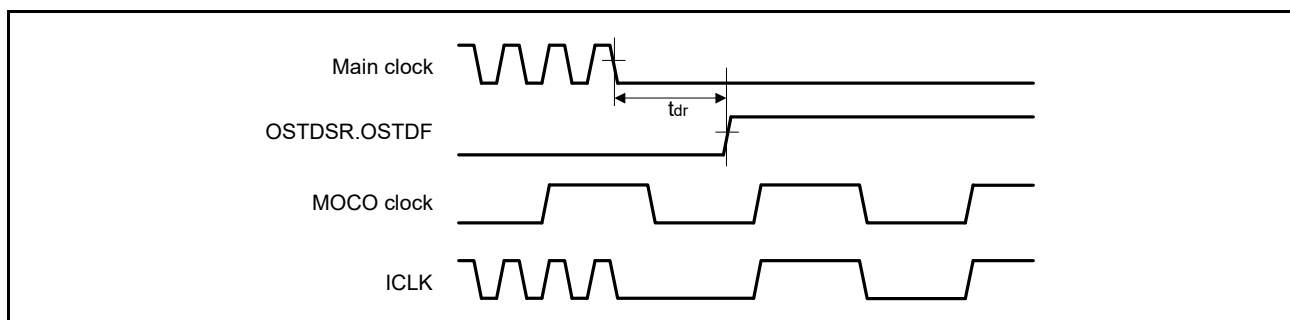
Conditions: VCC = AVCC0 = AVCC1 = 2.0 to 5.5 V

Parameter	Symbol	Min	Typ	Max	Unit	Test conditions
Relative accuracy	-	-	± 1.5	-	°C	2.4 V or above
		-	± 2.0	-	°C	Below 2.4 V
Temperature slope	-	-	-3.65	-	mV/°C	-
Output voltage (at 25°C)	-	-	1.05	-	V	VCC = 3.3 V
Temperature sensor start time	t <sub>START</sub>	-	-	5	μs	-
Sampling time	-	5	-	-	μs	-

## 2.10 OSC Stop Detect Characteristics

**Table 2.57 Oscillation stop detection circuit characteristics**

Parameter	Symbol	Min	Typ	Max	Unit	Test conditions
Detection time	t <sub>dr</sub>	-	-	1	ms	Figure 2.65


**Figure 2.65 Oscillation stop detection timing**

## 2.11 POR and LVD Characteristics

**Table 2.58 Power-on reset circuit and voltage detection circuit characteristics (1)**

Parameter		Symbol	Min	Typ	Max	Unit	Test Conditions
Voltage detection level*1	Power-on reset (POR)	$V_{POR}$	1.27	1.42	1.57	V	<a href="#">Figure 2.66</a> , <a href="#">Figure 2.67</a>
	Voltage detection circuit (LVD0)*2	$V_{det0\_0}$	3.68	3.85	4.00	V	<a href="#">Figure 2.68</a> At falling edge VCC
		$V_{det0\_1}$	2.68	2.85	2.96		
		$V_{det0\_2}$	2.38	2.53	2.64		
		$V_{det0\_3}$	1.78	1.90	2.02		
		$V_{det0\_4}$	1.60	1.69	1.82		
	Voltage detection circuit (LVD1)*3	$V_{det1\_0}$	4.13	4.29	4.45	V	<a href="#">Figure 2.69</a> At falling edge VCC
		$V_{det1\_1}$	3.98	4.16	4.30		
		$V_{det1\_2}$	3.86	4.03	4.18		
		$V_{det1\_3}$	3.68	3.86	4.00		
		$V_{det1\_4}$	2.98	3.10	3.22		
		$V_{det1\_5}$	2.89	3.00	3.11		
		$V_{det1\_6}$	2.79	2.90	3.01		
		$V_{det1\_7}$	2.68	2.79	2.90		
		$V_{det1\_8}$	2.58	2.68	2.78		
		$V_{det1\_9}$	2.48	2.58	2.68		
		$V_{det1\_A}$	2.38	2.48	2.58		
		$V_{det1\_B}$	2.10	2.20	2.30		
		$V_{det1\_C}$	1.84	1.96	2.05		
		$V_{det1\_D}$	1.74	1.86	1.95		
$V_{det1\_E}$	1.63	1.75	1.84				
$V_{det1\_F}$	1.60	1.65	1.73				
Voltage detection circuit (LVD2)*4	$V_{det2\_0}$	4.11	4.31	4.48	V	<a href="#">Figure 2.70</a> At falling edge VCC	
	$V_{det2\_1}$	3.97	4.17	4.34			
	$V_{det2\_2}$	3.83	4.03	4.20			
	$V_{det2\_3}$	3.64	3.84	4.01			

Note 1. These characteristics apply when noise is not superimposed on the power supply. When a setting causes this voltage detection level to overlap with that of the voltage detection circuit, it cannot be specified whether LVD1 or LVD2 is used for voltage detection.

Note 2. # in the symbol  $V_{det0\_#}$  denotes the value of the OFS1.VDSEL1[2:0] bits.

Note 3. # in the symbol  $V_{det1\_#}$  denotes the value of the LVDLVLR.LVD1LVL[4:0] bits.

Note 4. # in the symbol  $V_{det2\_#}$  denotes the value of the LVDLVLR.LVD2LVL[2:0] bits.



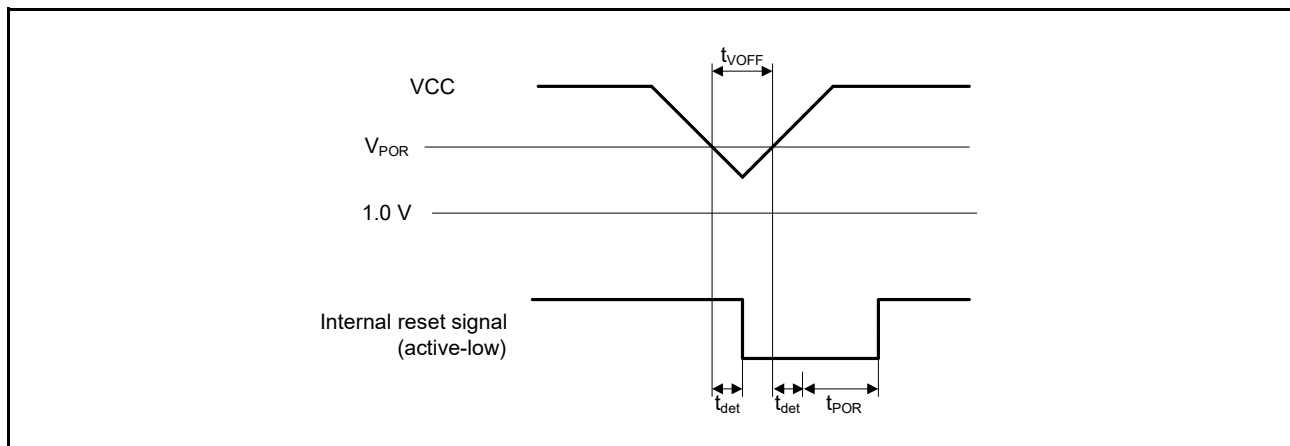
**Table 2.59 Power-on reset circuit and voltage detection circuit characteristics (2)**

Parameter	Symbol	Min	Typ	Max	Unit	Test Conditions	
Wait time after power-on reset cancellation	LVD0: enable	$t_{POR}$	-	1.7	-	ms	-
	LVD0: disable	$t_{POR}$	-	1.3	-	ms	-
Wait time after voltage monitor 0, 1, 2 reset cancellation	LVD0: enable*1	$t_{LVD0,1,2}$	-	0.6	-	ms	-
	LVD0: disable*2	$t_{LVD1,2}$	-	0.2	-	ms	-
Response delay*3	$t_{det}$	-	-	350	$\mu$ s	Figure 2.66, Figure 2.67	
Minimum VCC down time	$t_{VOFF}$	450	-	-	$\mu$ s	Figure 2.66, VCC = 1.0 V or above	
Power-on reset enable time	$t_W$ (POR)	1	-	-	ms	Figure 2.67, VCC = below 1.0 V	
LVD operation stabilization time (after LVD is enabled)	$T_d$ (E-A)	-	-	300	$\mu$ s	Figure 2.69, Figure 2.70	
Hysteresis width (POR)	$V_{PORH}$	-	110	-	mV	-	
Hysteresis width (LVD0, LVD1 and LVD2)	$V_{LVH}$	-	60	-	mV	LVD0 selected	
		-	100	-		$V_{det1\_0}$ to $V_{det1\_2}$ selected	
		-	60	-		$V_{det1\_3}$ to $V_{det1\_9}$ selected	
		-	50	-		$V_{det1\_A}$ to $V_{det1\_B}$ selected	
		-	40	-		$V_{det1\_C}$ to $V_{det1\_F}$ selected	
		-	60	-		LVD2 selected	

Note 1. When OFS1.LVDAS = 0.

Note 2. When OFS1.LVDAS = 1.

Note 3. The minimum VCC down time indicates the time when VCC is below the minimum value of voltage detection levels  $V_{POR}$ ,  $V_{det0}$ ,  $V_{det1}$ , and  $V_{det2}$  for the POR/LVD.

**Figure 2.66 Voltage detection reset timing**

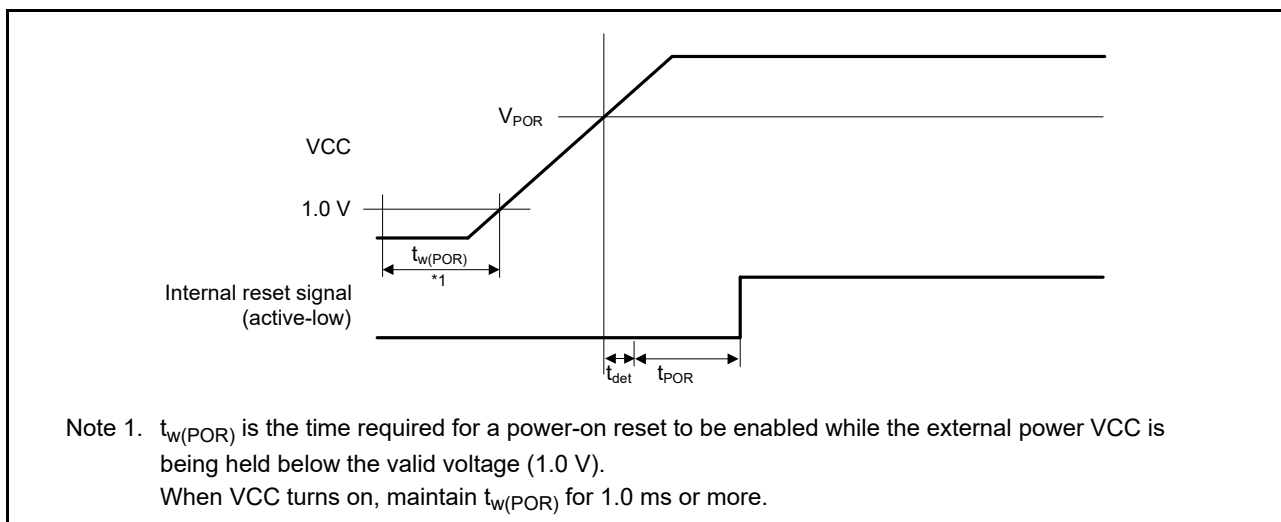


Figure 2.67 Power-on reset timing

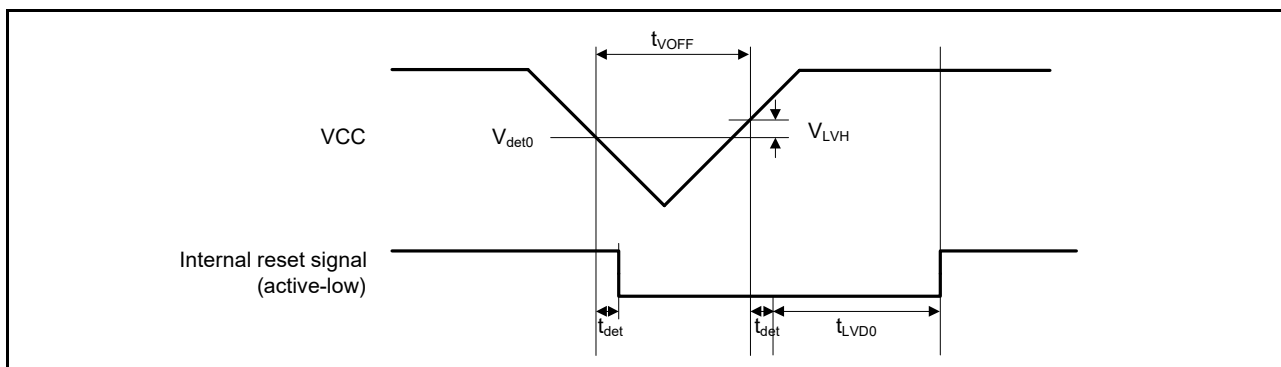


Figure 2.68 Voltage detection circuit timing ( $V_{det0}$ )

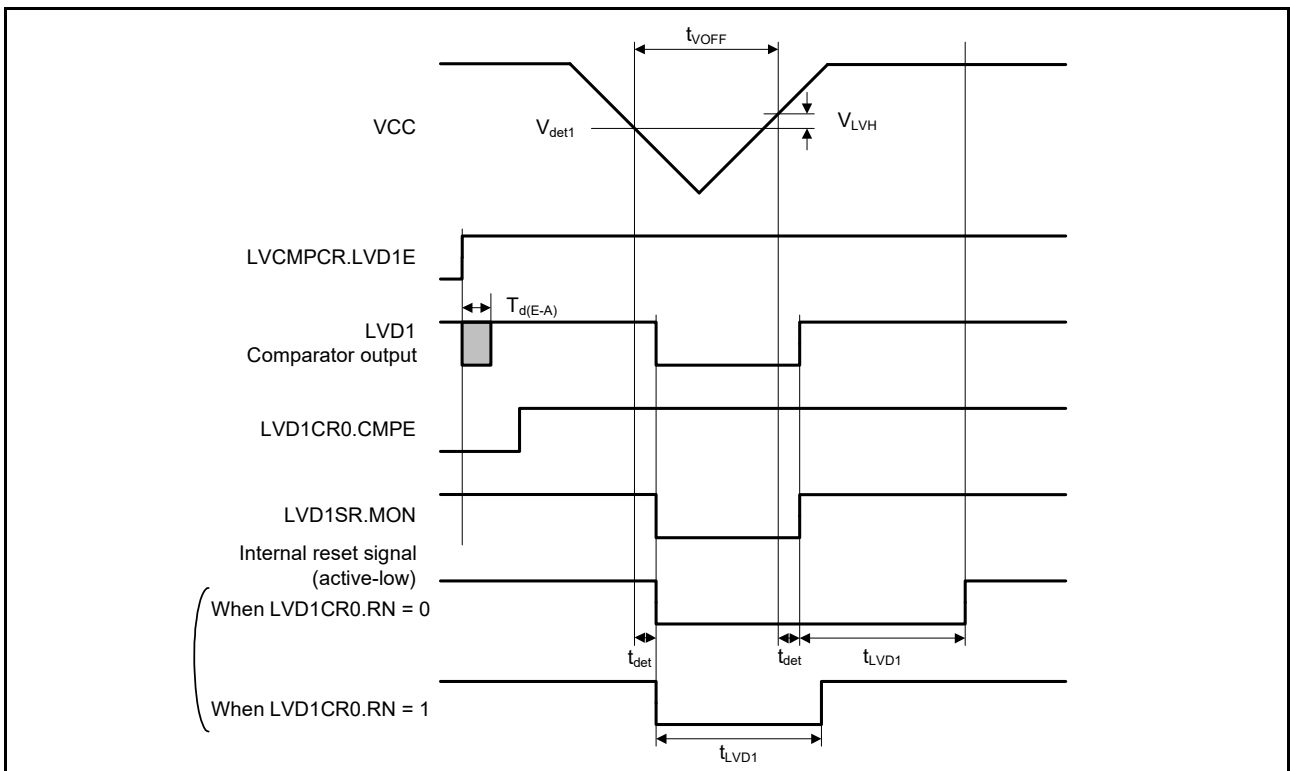


Figure 2.69 Voltage detection circuit timing ( $V_{det1}$ )

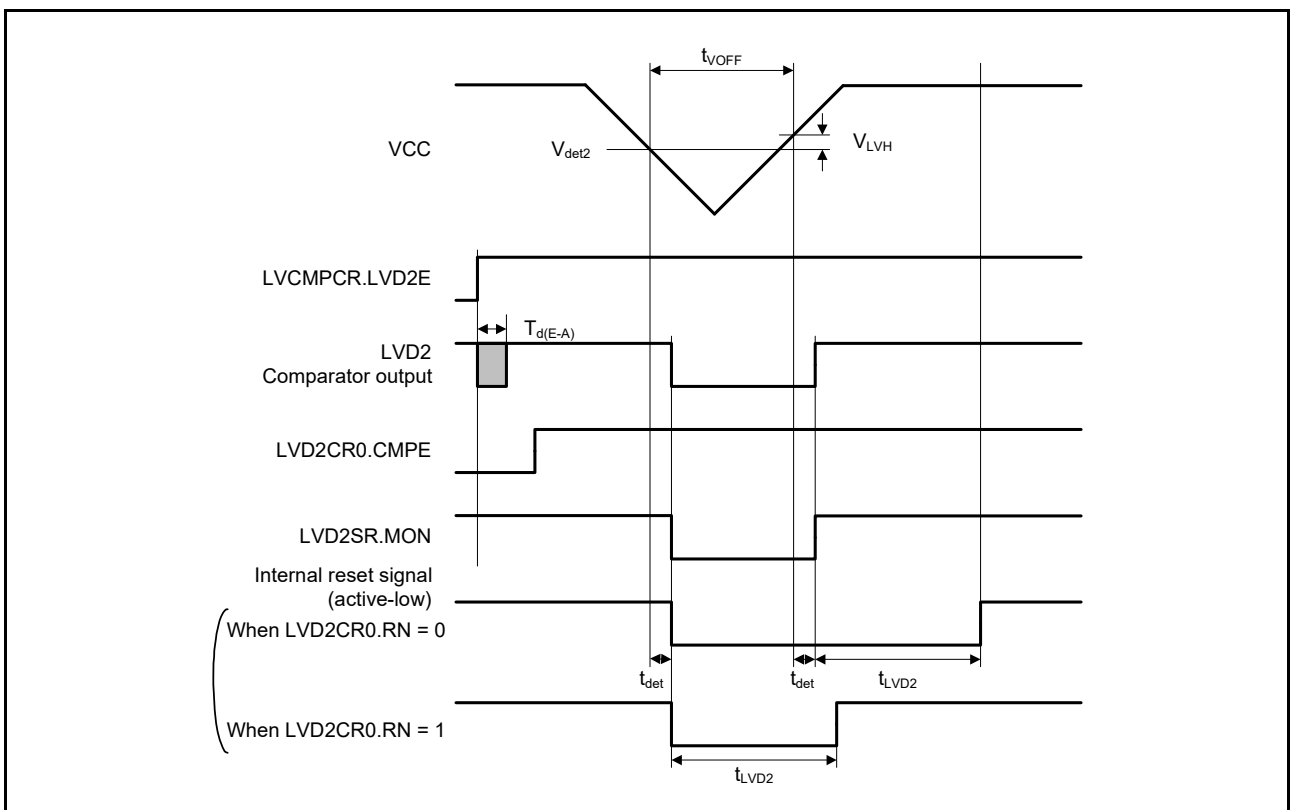


Figure 2.70 Voltage detection circuit timing ( $V_{det2}$ )

## 2.12 CTSU Characteristics

**Table 2.60 CTSU characteristics**

Conditions: VCC = AVCC0 = AVCC1 = 1.8 to 5.5 V

Parameter	Symbol	Min	Typ	Max	Unit	Test conditions
External capacitance connected to TSCAP pin	C <sub>tscap</sub>	9	10	11	nF	-
TS pin capacitive load	C <sub>base</sub>	-	-	50	pF	-
Permissible output high current	$\Sigma I_{OH}$	-	-	-24	mA	When the mutual capacitance method is applied and TS07 to TS14 are not used for transmit channel
		-	-	-14		When the mutual capacitance method is applied and TS07 to TS14 are used for transmit channel

## 2.13 Comparator Characteristics

**Table 2.61 ACPHPS characteristics**

Conditions: VCC = AVCC0 = AVCC1 = 2.7 to 5.5 V, VSS = AVSS0 = AVSS1 = 0 V

Parameter	Symbol	Min	Typ	Max	Unit	Test conditions
Input offset voltage	V <sub>IOCOMP</sub>	-	± 5	± 40	mV	-
Input voltage range	V <sub>ICPM</sub>	0	-	AVCC0	V	-
Internal reference voltage input*3	V <sub>ref</sub>	1.36	1.43	1.50	V	AVCC0 ≥ 2.0 V
Input signal cycle	t <sub>PCMP</sub>	10	-	-	μs	-
Output delay time	T <sub>d</sub>	-	50	100	ns	Input amplitude ± 100 mV
Stabilization wait time during input channel switching*1	T <sub>WAIT</sub>	300	-	-	ns	Input amplitude ± 100 mV
Operation stabilization wait time*2	T <sub>cmp</sub>	1	-	-	μs	3.3 V ≤ AVCC0 ≤ 5.5 V
		3	-	-	μs	2.7 V ≤ AVCC0 < 3.3 V

Note 1. Period from when the comparator input channel is switched until the switched result reflects in its output.

Note 2. Period from when comparator operation is enabled (CPMCTL.HCMPON = 1) until the comparator satisfies the DC/AC characteristics.

Note 3. The internal reference voltage cannot be selected for input channels when AVCC0 &lt; 2.0 V.

**Table 2.62 ACMPLP characteristics**

Conditions: VCC = AVCC0 = AVCC1 = 1.8 to 5.5 V, VSS = AVSS0 = AVSS1 = 0 V

Parameter	Symbol	Min	Typ	Max	Unit	Test conditions	
Input voltage range	IVREF0	V <sub>REF</sub>	0	-	VCC - 1.4*1	V	-
	IVREF1 (Standard mode)		0	-	VCC - 1.4	V	
	IVREF1 (Window mode)		1.4*1	-	VCC	V	
	IVCMP0, IVCMP1	V <sub>I</sub>	0	-	VCC	V	
Internal reference voltage*2	-	1.36	1.43	1.50	V	VCC ≥ 2.0 V	
Output delay	Comparator high-speed mode (Standard mode)	T <sub>d</sub>	-	-	1.2	μs	VCC = 3.0 V Slew rate of input signal > 50 mV/μs
	Comparator high-speed mode (Window mode)		-	-	2.0	μs	
	Comparator low-speed mode (Standard mode)		-	-	5.0	μs	

**Table 2.62 ACMPLP characteristics**Conditions:  $V_{CC} = AV_{CC0} = AV_{CC1} = 1.8$  to  $5.5$  V,  $V_{SS} = AV_{SS0} = AV_{SS1} = 0$  V

Parameter		Symbol	Min	Typ	Max	Unit	Test conditions
Offset voltage	Comparator high-speed mode (Standard mode)	-	-	-	50	mV	-
	Comparator high-speed mode (Window mode)				60	mV	
	Comparator low-speed mode (Standard mode)				40	mV	
Operation stabilization wait time		$T_{cmp}$	100	-	-	$\mu$ s	-

Note 1. In window mode, be sure to satisfy the following condition:  $V_{IVREF1} - V_{IVREF0} \geq 0.2$  V.Note 2. The internal reference voltage cannot be selected for input channels when  $V_{CC} < 2.0$  V.

## 2.14 OPAMP Characteristics

**Table 2.63 OPAMP characteristics (1 of 3)**Conditions:  $V_{CC} = AV_{CC0} = AV_{CC1} = 1.7$  V to  $5.5$  V,  $V_{SS} = AV_{SS0} = AV_{SS1} = 0$  V

Parameter	Symbol	Conditions	Min	Typ	Max	Unit
Supply voltage range	AVCC0	Low power mode	1.7	-	5.5	V
		Middle-speed mode	2.1	-	5.5	V
		High-speed mode	2.4	-	5.5	V
Charge pump stabilization time*1	-	-	-	-	100	$\mu$ s
SW stabilization time*1	-	-	-	-	50	$\mu$ s
Input voltage range	$V_{icm1}$	Low power mode	AVSS0	-	AVCC0	V
	$V_{icm2}$	Middle-speed mode				
	$V_{icm3}$	High-speed mode				
Output voltage range	$V_{olh1}$	Low power mode, I <sub>load</sub> = 100 $\mu$ A	AVSS0	-	AVCC0	V
	$V_{olh2}$	Middle-speed mode, I <sub>load</sub> = 100 $\mu$ A				
	$V_{olh3}$	High-speed mode, I <sub>load</sub> = 100 $\mu$ A				
Input offset trimming range*1	$V_{offadj2l}$	Middle-speed mode, V <sub>in</sub> = 0.1 V, T <sub>j</sub> = 25°C	-3	-	3	mV
	$V_{offadj2h}$	Middle-speed mode, V <sub>in</sub> = AVCC0 - 0.1 V, T <sub>j</sub> = 25°C				
	$V_{offadj3l}$	High-speed mode, V <sub>in</sub> = 0.1 V, T <sub>j</sub> = 25°C				
	$V_{offadj3h}$	High-speed mode, V <sub>in</sub> = AVCC0 - 0.1 V, T <sub>j</sub> = 25°C				

**Table 2.63 OPAMP characteristics (2 of 3)**

Conditions: VCC = AVCC0 = AVCC1 = 1.7 V to 5.5 V, VSS = AVSS0 = AVSS1 = 0 V

Parameter	Symbol	Conditions	Min	Typ	Max	Unit
Input offset* <sup>1</sup>	V <sub>ioff1a</sub>	Low power mode, V <sub>in</sub> < AVCC0 - 1.0 V	-5.0	-	5.0	mV
	V <sub>ioff1b</sub>	Low power mode, V <sub>in</sub> ≥ AVCC0 - 1.0 V	-8.0	-	8.0	
	V <sub>ioff2a</sub>	Middle-speed mode, V <sub>in</sub> < AVCC0 - 1.2 V	-3.0	-	3.0	
	V <sub>ioff2b</sub>	Middle-speed mode, V <sub>in</sub> ≥ AVCC0 - 1.2 V	-3.0	-	3.0	
	V <sub>ioff3a</sub>	High-speed mode, V <sub>in</sub> < AVCC0 - 1.2 V	-2.5	-	2.5	
	V <sub>ioff3b</sub>	High-speed mode, V <sub>in</sub> ≥ AVCC0 - 1.2 V	-2.5	-	2.5	
Offset drift* <sup>1</sup>	Drift1a	Low power mode, V <sub>in</sub> < AVCC0 - 1.0 V	-70	-	70	μV/°C
	Drift1b	Low power mode, V <sub>in</sub> ≥ AVCC0 - 1.0 V	-70	-	70	
	Drift2a	Middle-speed mode, V <sub>in</sub> < AVCC0 - 1.2 V	-30	-	30	
	Drift2b	Middle-speed mode, V <sub>in</sub> ≥ AVCC0 - 1.2 V	-30	-	30	
	Drift3a	High-speed mode, V <sub>in</sub> < AVCC0 - 1.2 V	-30	-	30	
	Drift3b	High-speed mode, V <sub>in</sub> ≥ AVCC0 - 1.2 V	-30	-	30	
Open gain* <sup>1</sup>	Av1	Low power mode	70	130	-	dB
	Av2	Middle-speed mode	70	120	-	
	Av3	High-speed mode	60	130	-	
Gain bandwidth product* <sup>1</sup>	GBW1	Low power mode	-	90	-	kHz
	GBW2	Middle-speed mode	-	2	-	MHz
	GBW3	High-speed mode	-	4.8	-	MHz
Phase margin* <sup>1</sup>	PM1	Low power mode	35	-	-	deg
	PM2	Middle-speed mode	35	-	-	
	PM3	High-speed mode	35	-	-	
Gain margin* <sup>1</sup>	GM1	Low power mode	10	-	-	dB
	GM2	Middle-speed mode	10	-	-	
	GM3	High-speed mode	10	-	-	
Input noise density* <sup>1</sup>	V <sub>ind11</sub>	Low power mode, f = 10 Hz	-	860	-	nV/√Hz
	V <sub>ind12</sub>	Low power mode, f = 1 kHz	-	260	-	
	V <sub>ind21</sub>	Middle-speed mode, f = 1 kHz	-	50	-	
	V <sub>ind22</sub>	Middle-speed mode, f = 100 kHz	-	30	-	
	V <sub>ind31</sub>	High-speed mode, f = 1 kHz	-	40	-	
	V <sub>ind32</sub>	High-speed mode, f = 100 kHz	-	20	-	

**Table 2.63 OPAMP characteristics (3 of 3)**

Conditions: VCC = AVCC0 = AVCC1 = 1.7 V to 5.5 V, VSS = AVSS0 = AVSS1 = 0 V

Parameter	Symbol	Conditions	Min	Typ	Max	Unit
Power supply rejection ratio*1	PSRR1	Low power mode	-	90	-	dB
	PSRR2	Middle-speed mode	-	90	-	
	PSRR3	High-speed mode	-	90	-	
Common mode rejection ratio*1	CMRR1	Low power mode	-	90	-	dB
	CMRR2	Middle-speed mode	-	90	-	
	CMRR3	High-speed mode	-	90	-	
Settling time*1	T <sub>set1</sub>	Low power mode	-	70	200	μs
	T <sub>set2</sub>	Middle-speed mode	-	2.8	8	
	T <sub>set3</sub>	High-speed mode	-	1.2	3.2	
Slew rate*1	SR1	Low power mode	0.02	0.05	-	V/μs
	SR2	Middle-speed mode	0.8	1.3	-	
	SR3	High-speed mode	1.8	3.0	-	
Turn on time*1	T <sub>tum1</sub>	Low power mode, AMPENx = 0 → 1, IREFEN = 0 → 1	-	80	220	μs
	T <sub>tum2</sub>	Middle-speed mode, AMPENx = 0 → 1, IREFEN = 0 → 1	-	3	10	
	T <sub>tum3</sub>	High-speed mode, AMPENx = 0 → 1, IREFEN = 0 → 1	-	1.3	4	
Input offset trimming step*1	V <sub>iofst2</sub>	Middle-speed mode, Vin < AVCC0 - 1.2 V	0.3	0.459	0.58	mV/code
		Middle-speed mode, Vin ≥ AVCC0 - 1.2 V	0.24	-	0.56	
	V <sub>iofst3</sub>	High-speed mode, Vin < AVCC0 - 1.2 V	0.35	0.52	0.65	
		High-speed mode, Vin ≥ AVCC0 - 1.2 V	0.28	-	0.61	
Wait time after trimming*1	T <sub>tum_tm2</sub>	Middle-speed mode	-	-	1.5	μs
	T <sub>tum_tm3</sub>	High-speed mode	-	-	1	
Load current	I <sub>load</sub>	-	-	-	100	μA
Load capacitance	C <sub>L</sub>	-	-	-	20	pF

Note 1. These values are based on simulation. They are not production tested.

## 2.15 Flash Memory Characteristics

### 2.15.1 Code Flash Memory Characteristics

**Table 2.64 Code flash characteristics (1)**

Parameter	Symbol	Min	Typ	Max	Unit	Conditions
Reprogramming/erasure cycle*1	N <sub>PEC</sub>	1000	-	-	Times	-
Data hold time	After 1000 times N <sub>PEC</sub>	t <sub>DRP</sub>	20*2, *3	-	Year	T <sub>a</sub> = +85°C

Note 1. The reprogram/erase cycle is the number of erasures for each block. When the reprogram/erase cycle is n times (n = 1,000), erasing can be performed n times for each block. For instance, when 4-byte programming is performed 256 times for different addresses in 1-KB blocks, and then the entire block is erased, the reprogram/erase cycle is counted as one. However, programming the same address for several times as one erasure is not enabled (overwriting is prohibited).

Note 2. Characteristic when using the flash memory programmer and the self-programming library provided by Renesas Electronics.

Note 3. This result is obtained from reliability testing.

**Table 2.65 Code flash characteristics (2)**

High-speed operating mode

Conditions: VCC = AVCC0 = AVCC1 = 2.7 to 5.5 V

Parameter		Symbol	FCLK = 1 MHz			FCLK = 32 MHz			Unit
			Min	Typ	Max	Min	Typ	Max	
Programming time	8-byte	t <sub>P8</sub>	-	116	998	-	54	506	μs
Erase time	2-KB	t <sub>E2K</sub>	-	9.03	287	-	5.67	222	ms
Blank check time	8-byte	t <sub>BC8</sub>	-	-	56.8	-	-	16.6	μs
	2-KB	t <sub>BC2K</sub>	-	-	1899	-	-	140	μs
Erase suspended time		t <sub>SED</sub>	-	-	22.5	-	-	10.7	μs
Startup area switching setting time		t <sub>SAS</sub>	-	21.9	585	-	12.1	447	ms
Access window time		t <sub>AWS</sub>	-	21.9	585	-	12.1	447	ms
OCD/serial programmer ID setting time		t <sub>OSIS</sub>	-	21.9	585	-	12.1	447	ms
Flash memory mode transition wait time 1		t <sub>DIS</sub>	2	-	-	2	-	-	μs
Flash memory mode transition wait time 2		t <sub>MS</sub>	5	-	-	5	-	-	μs

Note: Does not include the time until each operation of the flash memory is started after instructions are executed by software.

Note: The lower-limit frequency of FCLK is 1 MHz during programming or erasing the flash memory. When using FCLK at below 4 MHz, the frequency can be set to 1 MHz, 2 MHz, or 3 MHz. A non-integer frequency such as 1.5 MHz cannot be set.

Note: The frequency accuracy of FCLK must be ± 3.5% during programming or erasing the flash memory. Confirm the frequency accuracy of the clock source.

**Table 2.66 Code flash characteristics (3)**

Middle-speed operating mode

Conditions: VCC = AVCC0 = AVCC1 = 1.8 to 5.5 V, Ta = -40 to +85°C

Parameter		Symbol	FCLK = 1 MHz			FCLK = 8 MHz			Unit
			Min	Typ	Max	Min	Typ	Max	
Programming time	8-byte	t <sub>P8</sub>	-	157	1411	-	101	966	μs
Erase time	2-KB	t <sub>E2K</sub>	-	9.10	289	-	6.10	228	ms
Blank check time	8-byte	t <sub>BC8</sub>	-	-	87.7	-	-	52.5	μs
	2-KB	t <sub>BC2K</sub>	-	-	1930	-	-	414	μs
Erase suspended time		t <sub>SED</sub>	-	-	32.7	-	-	21.6	μs
Startup area switching setting time		t <sub>SAS</sub>	-	22.8	592	-	14.2	465	ms
Access window time		t <sub>AWS</sub>	-	22.8	592	-	14.2	465	ms
OCD/serial programmer ID setting time		t <sub>OSIS</sub>	-	22.8	592	-	14.2	465	ms
Flash memory mode transition wait time 1		t <sub>DIS</sub>	2	-	-	2	-	-	μs
Flash memory mode transition wait time 2		t <sub>MS</sub>	720	-	-	720	-	-	ns

Note: Does not include the time until each operation of the flash memory is started after instructions are executed by software.

Note: The lower-limit frequency of FCLK is 1 MHz during programming or erasing the flash memory. When using FCLK at below 4 MHz, the frequency can be set to 1 MHz, 2 MHz, or 3 MHz. A non-integer frequency such as 1.5 MHz cannot be set.

Note: The frequency accuracy of FCLK must be ± 3.5% during programming or erasing the flash memory. Confirm the frequency accuracy of the clock source.

## 2.15.2 Data Flash Memory Characteristics

**Table 2.67 Data flash characteristics (1)**

Parameter		Symbol	Min	Typ	Max	Unit	Conditions
Reprogramming/erasure cycle*1		N <sub>DPEC</sub>	100000	1000000	-	Times	-
Data hold time	After 10000 times of N <sub>DPEC</sub>	t <sub>DDRP</sub>	20*2, *3	-	-	Year	Ta = +85°C
	After 100000 times of N <sub>DPEC</sub>		5*2, *3	-	-	Year	
	After 1000000 times of N <sub>DPEC</sub>		-	1*2, *3	-	Year	



Note 1. The reprogram/erase cycle is the number of erasure for each block. When the reprogram/erase cycle is n times ( $n = 100,000$ ), erasing can be performed n times for each block. For instance, when 1-byte programming is performed 1,000 times for different addresses in 1-byte blocks, and then the entire block is erased, the reprogram/erase cycle is counted as one. However, programming the same address for several times as one erasure is not enabled. (overwriting is prohibited.)

Note 2. Characteristics when using the flash memory programmer and the self-programming library provided by Renesas Electronics.

Note 3. These results are obtained from reliability testing.

**Table 2.68 Data flash characteristics (2)**

High-speed operating mode

Conditions:  $V_{CC} = AV_{CC0} = AV_{CC1} = 2.7$  to  $5.5$  V

Parameter		Symbol	FCLK = 4 MHz			FCLK = 32 MHz			Unit
			Min	Typ	Max	Min	Typ	Max	
Programming time	1-byte	$t_{DP1}$	-	52.4	463	-	42.1	387	$\mu$ s
Erase time	1-KB	$t_{DE1K}$	-	8.98	286	-	6.42	237	ms
Blank check time	1-byte	$t_{DBC1}$	-	-	24.3	-	-	16.6	$\mu$ s
	1-KB	$t_{DBC1K}$	-	-	1872	-	-	512	$\mu$ s
Suspended time during erasing		$t_{DSED}$	-	-	13.0	-	-	10.7	$\mu$ s
Data flash STOP recovery time		$t_{DSTOP}$	5	-	-	5	-	-	$\mu$ s

Note: Does not include the time until each operation of the flash memory is started after instructions are executed by software.

Note: The lower-limit frequency of FCLK is 1 MHz during programming or erasing the flash memory. When using FCLK at below 4 MHz, the frequency can be set to 1 MHz, 2 MHz, or 3 MHz. A non-integer frequency such as 1.5 MHz cannot be set.

Note: The frequency accuracy of FCLK must be  $\pm 3.5\%$  during programming or erasing the flash memory. Confirm the frequency accuracy of the clock source.

**Table 2.69 Data flash characteristics (3)**

Middle-speed operating mode

Conditions:  $V_{CC} = AV_{CC0} = AV_{CC1} = 1.8$  to  $5.5$  V,  $T_a = -40$  to  $+85^\circ\text{C}$

Parameter		Symbol	FCLK = 4 MHz			FCLK = 8 MHz			Unit
			Min	Typ	Max	Min	Typ	Max	
Programming time	1-byte	$t_{DP1}$	-	94.7	886	-	89.3	849	$\mu$ s
Erase time	1-KB	$t_{DE1K}$	-	9.59	299	-	8.29	273	ms
Blank check time	1-byte	$t_{DBC1}$	-	-	56.2	-	-	52.5	$\mu$ s
	1-KB	$t_{DBC1K}$	-	-	2.17	-	-	1.51	ms
Suspended time during erasing		$t_{DSED}$	-	-	23.0	-	-	21.7	$\mu$ s
Data flash STOP recovery time		$t_{DSTOP}$	720	-	-	720	-	-	ns

Note: Does not include the time until each operation of the flash memory is started after instructions are executed by software.

Note: The lower-limit frequency of FCLK is 1 MHz during programming or erasing the flash memory. When using FCLK at below 4 MHz, the frequency can be set to 1 MHz, 2 MHz, or 3 MHz. A non-integer frequency such as 1.5 MHz cannot be set.

Note: The frequency accuracy of FCLK must be  $\pm 3.5\%$  during programming or erasing the flash memory. Confirm the frequency accuracy of the clock source.

### 2.15.3 Serial Wire Debug (SWD)

**Table 2.70 SWD characteristics (1) (1 of 2)**

Conditions:  $V_{CC} = AV_{CC0} = AV_{CC1} = 2.4$  to  $5.5$  V

Parameter	Symbol	Min	Typ	Max	Unit	Test conditions
SWCLK clock cycle time	$t_{SWCKcyc}$	80	-	-	ns	Figure 2.71
SWCLK clock high pulse width	$t_{SWCKH}$	35	-	-	ns	
SWCLK clock low pulse width	$t_{SWCKL}$	35	-	-	ns	
SWCLK clock rise time	$t_{SWCKr}$	-	-	5	ns	
SWCLK clock fall time	$t_{SWCKf}$	-	-	5	ns	

**Table 2.70 SWD characteristics (1) (2 of 2)**

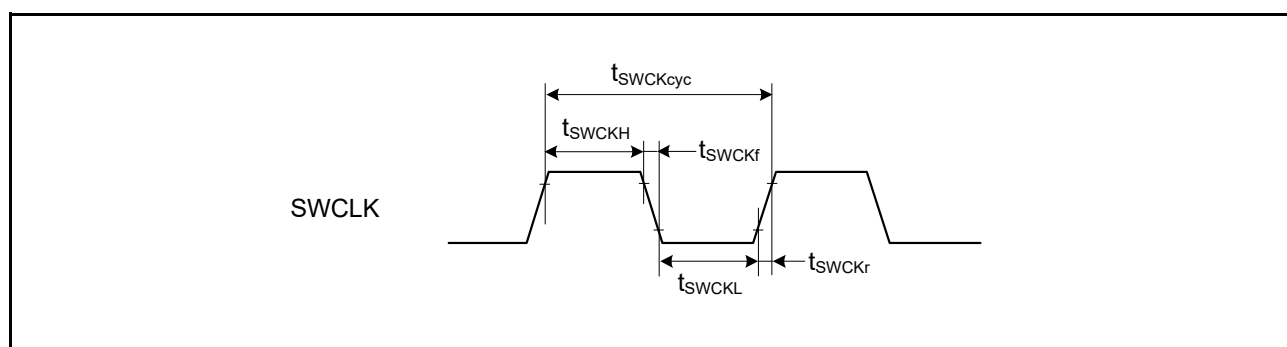
Conditions: VCC = AVCC0 = AVCC1 = 2.4 to 5.5 V

Parameter	Symbol	Min	Typ	Max	Unit	Test conditions
SWDIO setup time	$t_{SWDS}$	16	-	-	ns	Figure 2.72
SWDIO hold time	$t_{SWDH}$	16	-	-	ns	
SWDIO data delay time	$t_{SWDD}$	2	-	70	ns	

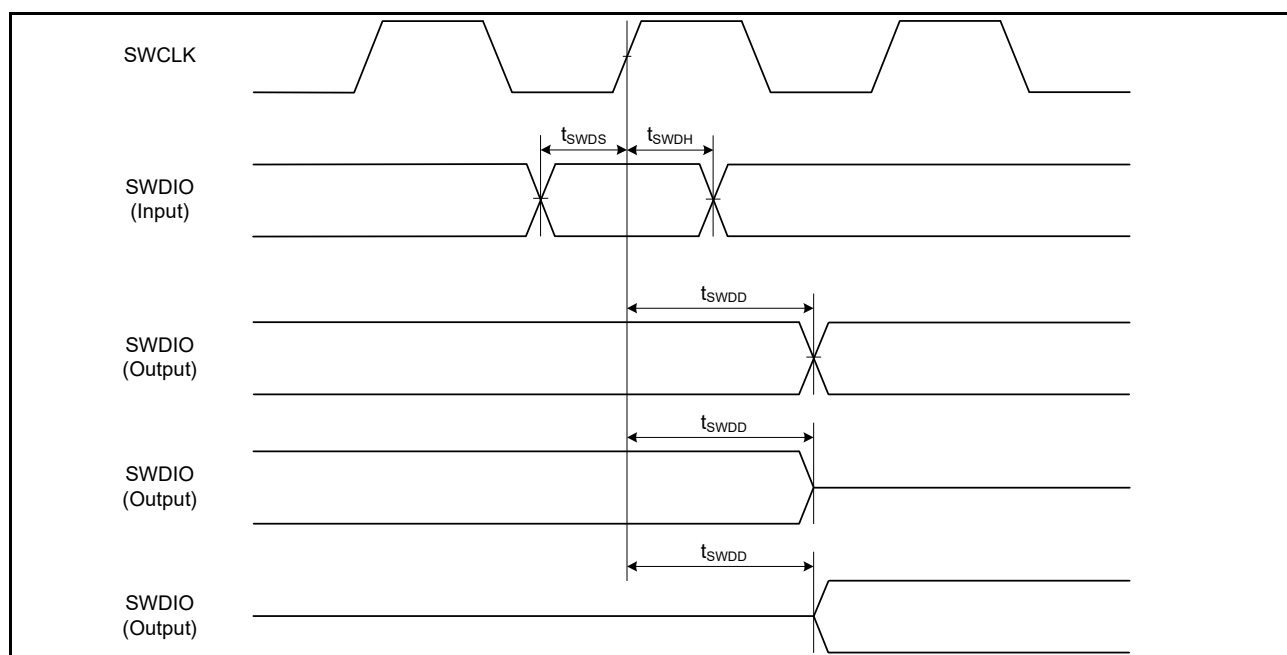
**Table 2.71 SWD characteristics (2)**

Conditions: VCC = AVCC0 = AVCC1 = 1.6 to 2.4 V

Parameter	Symbol	Min	Typ	Max	Unit	Test conditions
SWCLK clock cycle time	$t_{SWCKcyc}$	250	-	-	ns	Figure 2.71
SWCLK clock high pulse width	$t_{SWCKH}$	120	-	-	ns	
SWCLK clock low pulse width	$t_{SWCKL}$	120	-	-	ns	
SWCLK clock rise time	$t_{SWCKr}$	-	-	5	ns	
SWCLK clock fall time	$t_{SWCKf}$	-	-	5	ns	
SWDIO setup time	$t_{SWDS}$	50	-	-	ns	Figure 2.72
SWDIO hold time	$t_{SWDH}$	50	-	-	ns	
SWDIO data delay time	$t_{SWDD}$	2	-	150	ns	



**Figure 2.71 SWD SWCLK timing**



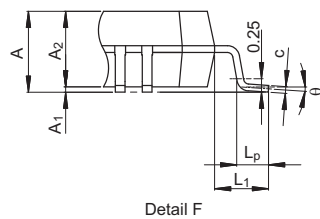
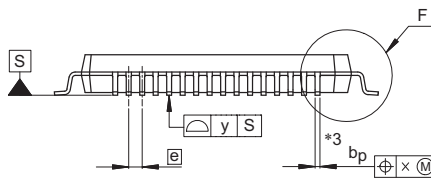
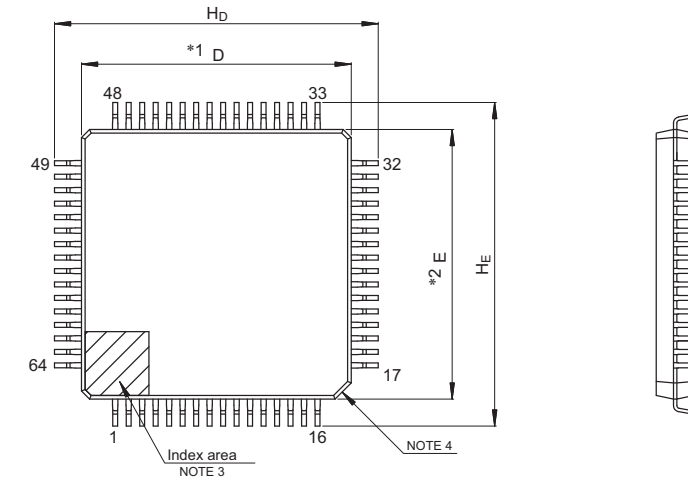
**Figure 2.72 SWD input/output timing**

## Appendix 1.Package Dimensions

Information on the latest version of the package dimensions or mountings is displayed in “Packages” on the Renesas Electronics Corporation website.

JEITA Package Code	RENESAS Code	Previous Code	MASS (Typ) [g]
P-LFQFP64-10x10-0.50	PLQP0064KB-C	—	0.3

Unit: mm



NOTE)

1. DIMENSIONS \*\*1" AND \*\*2" DO NOT INCLUDE MOLD FLASH.
2. DIMENSION \*\*3" DOES NOT INCLUDE TRIM OFFSET.
3. PIN 1 VISUAL INDEX FEATURE MAY VARY, BUT MUST BE LOCATED WITHIN THE HATCHED AREA.
4. CHAMFERS AT CORNERS ARE OPTIONAL, SIZE MAY VARY.

Reference Symbol	Dimensions in millimeters		
	Min	Nom	Max
D	9.9	10.0	10.1
E	9.9	10.0	10.1
A <sub>2</sub>	—	1.4	—
H <sub>D</sub>	11.8	12.0	12.2
H <sub>E</sub>	11.8	12.0	12.2
A	—	—	1.7
A <sub>1</sub>	0.05	—	0.15
b <sub>p</sub>	0.15	0.20	0.27
c	0.09	—	0.20
θ	0°	3.5°	8°
e	—	0.5	—
x	—	—	0.08
y	—	—	0.08
L <sub>p</sub>	0.45	0.6	0.75
L <sub>1</sub>	—	1.0	—

© 2015 Renesas Electronics Corporation. All rights reserved.

Figure 1.1 LQFP 64-pin

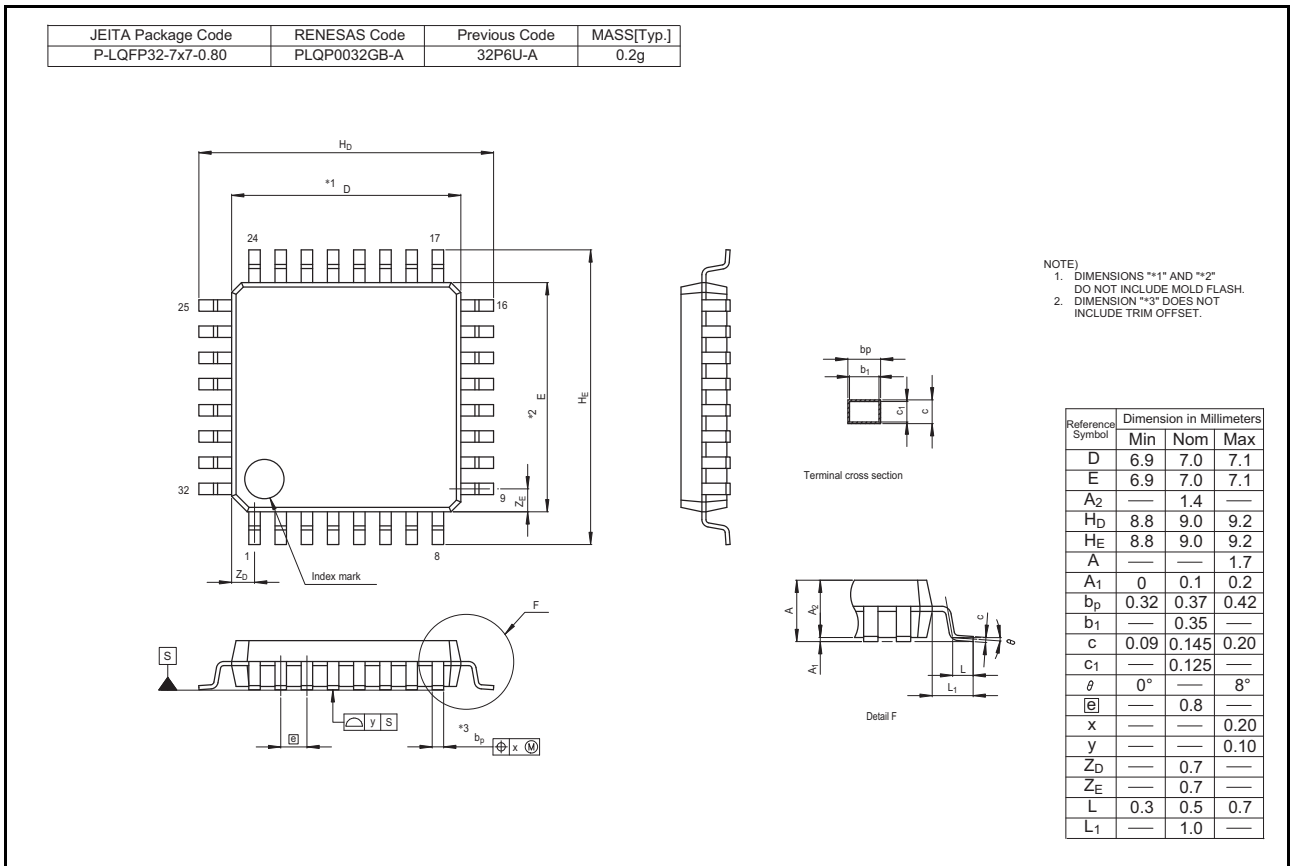


Figure 1.2 LQFP 32-pin

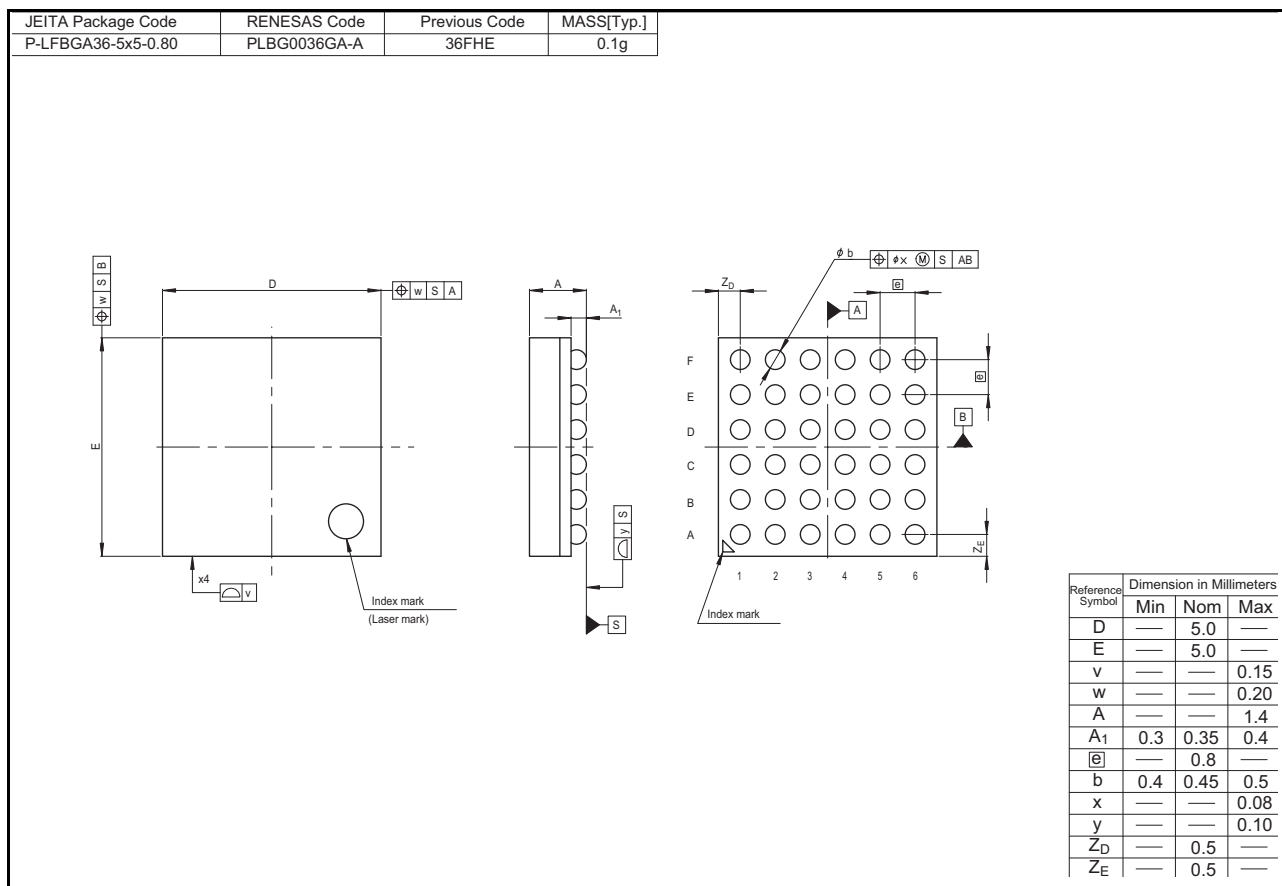
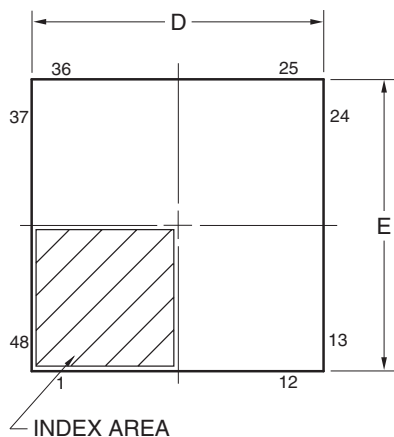
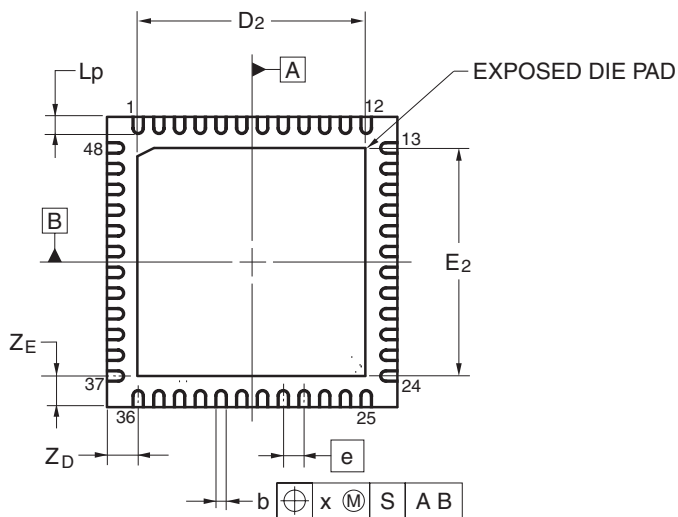
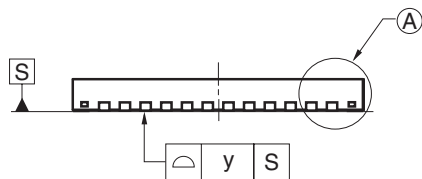
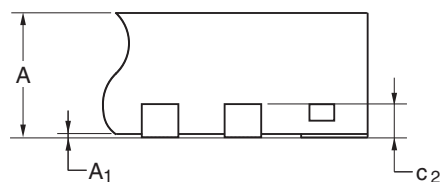


Figure 1.3 BGA 36-pin

JEITA Package code	RENESAS code	Previous code	MASS(TYP.)[g]
P-HWQFN48-7x7-0.50	PWQN0048KB-A	48PJN-A P48K8-50-5B4-6	0.13



DETAIL OF (A) PART

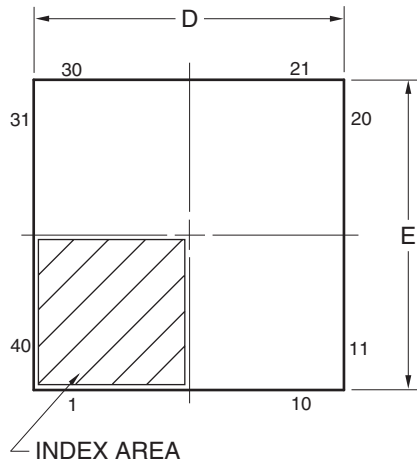


Reference Symbol	Dimension in Millimeters		
	Min	Nom	Max
D	6.95	7.00	7.05
E	6.95	7.00	7.05
A	—	—	0.80
A <sub>1</sub>	0.00	—	—
b	0.18	0.25	0.30
e	—	0.50	—
L <sub>p</sub>	0.30	0.40	0.50
x	—	—	0.05
y	—	—	0.05
Z <sub>D</sub>	—	0.75	—
Z <sub>E</sub>	—	0.75	—
c <sub>2</sub>	0.15	0.20	0.25
D <sub>2</sub>	—	5.50	—
E <sub>2</sub>	—	5.50	—

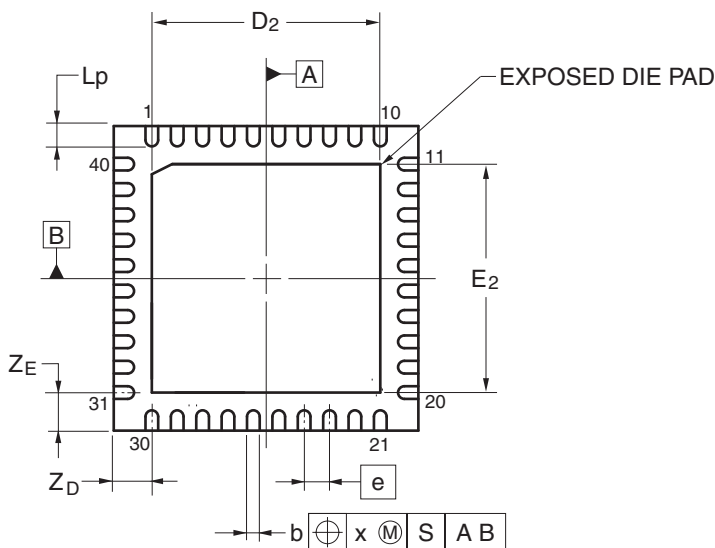
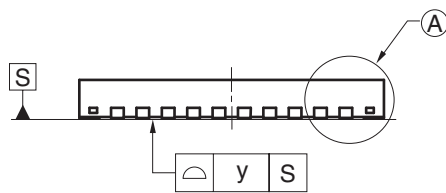
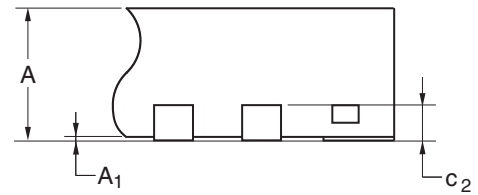
©2013 Renesas Electronics Corporation. All rights reserved.

Figure 1.4 QFN 48-pin

JEITA Package code	RENESAS code	Previous code	MASS(TYP.)[g]
P-HWQFN40-6x6-0.50	PWQN0040KC-A	P40K8-50-4B4-5	0.09



DETAIL OF (A) PART



Reference Symbol	Dimension in Millimeters		
	Min	Nom	Max
D	5.95	6.00	6.05
E	5.95	6.00	6.05
A	—	—	0.80
A <sub>1</sub>	0.00	—	—
b	0.18	0.25	0.30
e	—	0.50	—
L <sub>p</sub>	0.30	0.40	0.50
x	—	—	0.05
y	—	—	0.05
Z <sub>D</sub>	—	0.75	—
Z <sub>E</sub>	—	0.75	—
c <sub>2</sub>	0.15	0.20	0.25
D <sub>2</sub>	—	4.50	—
E <sub>2</sub>	—	4.50	—

Figure 1.5 QFN 40-pin

Revision History	S1JA Microcontroller Group Datasheet
------------------	--------------------------------------

Rev.	Date	Summary
1.00	Dec 5, 2017	First release
1.10	Feb 28, 2018	Updated for 1.10
1.20	Nov 27, 2018	Updated for 1.20

## Website and Support

Visit the following vanity URLs to learn about key elements of the Synergy Platform, download components and related documentation, and get support.

Synergy Software	<a href="https://renesassynergy.com/software">renesassynergy.com/software</a>
Synergy Software Package	<a href="https://renesassynergy.com/ssp">renesassynergy.com/ssp</a>
Software add-ons	<a href="https://renesassynergy.com/addons">renesassynergy.com/addons</a>
Software glossary	<a href="https://renesassynergy.com/softwareglossary">renesassynergy.com/softwareglossary</a>
Development tools	<a href="https://renesassynergy.com/tools">renesassynergy.com/tools</a>
Synergy Hardware	<a href="https://renesassynergy.com/hardware">renesassynergy.com/hardware</a>
Microcontrollers	<a href="https://renesassynergy.com/mcus">renesassynergy.com/mcus</a>
MCU glossary	<a href="https://renesassynergy.com/mcuglossary">renesassynergy.com/mcuglossary</a>
Parametric search	<a href="https://renesassynergy.com/parametric">renesassynergy.com/parametric</a>
Kits	<a href="https://renesassynergy.com/kits">renesassynergy.com/kits</a>
Synergy Solutions Gallery	<a href="https://renesassynergy.com/solutionsgallery">renesassynergy.com/solutionsgallery</a>
Partner projects	<a href="https://renesassynergy.com/partnerprojects">renesassynergy.com/partnerprojects</a>
Application projects	<a href="https://renesassynergy.com/applicationprojects">renesassynergy.com/applicationprojects</a>
Self-service support resources:	
Documentation	<a href="https://renesassynergy.com/docs">renesassynergy.com/docs</a>
Knowledgebase	<a href="https://renesassynergy.com/knowledgebase">renesassynergy.com/knowledgebase</a>
Forums	<a href="https://renesassynergy.com/forum">renesassynergy.com/forum</a>
Training	<a href="https://renesassynergy.com/training">renesassynergy.com/training</a>
Videos	<a href="https://renesassynergy.com/videos">renesassynergy.com/videos</a>
Chat and web ticket	<a href="https://renesassynergy.com/support">renesassynergy.com/support</a>

## Proprietary Notice

All text, graphics, photographs, trademarks, logos, artwork and computer code, collectively known as content, contained in this document is owned, controlled or licensed by or to Renesas, and is protected by trade dress, copyright, patent and trademark laws, and other intellectual property rights and unfair competition laws. Except as expressly provided herein, no part of this document or content may be copied, reproduced, republished, posted, publicly displayed, encoded, translated, transmitted or distributed in any other medium for publication or distribution or for any commercial enterprise, without prior written consent from Renesas.

Arm® and Cortex® are registered trademarks of Arm Limited. CoreSight™ is a trademark of Arm Limited.

CoreMark® is a registered trademark of the Embedded Microprocessor Benchmark Consortium.

Magic Packet™ is a trademark of Advanced Micro Devices, Inc.

SuperFlash® is a registered trademark of Silicon Storage Technology, Inc. in several countries including the United States and Japan.

Other brands and names mentioned in this document may be the trademarks or registered trademarks of their respective holders.



---

S1JA Microcontroller Group Datasheet

Publication Date: Rev.1.20 Nov 27, 2018

Published by: Renesas Electronics Corporation

---

## General Precautions

### 1. Precaution against Electrostatic Discharge (ESD)

A strong electrical field, when exposed to a CMOS device, can cause destruction of the gate oxide and ultimately degrade the device operation. Steps must be taken to stop the generation of static electricity as much as possible, and quickly dissipate it when it occurs. Environmental control must be adequate. When it is dry, a humidifier should be used. This is recommended to avoid using insulators that can easily build up static electricity. Semiconductor devices must be stored and transported in an anti-static container, static shielding bag or conductive material. All test and measurement tools including work benches and floors must be grounded. The operator must also be grounded using a wrist strap. Semiconductor devices must not be touched with bare hands. Similar precautions must be taken for printed circuit boards with mounted semiconductor devices.

### 2. Processing at power-on

The state of the product is undefined at the time when power is supplied. The states of internal circuits in the LSI are indeterminate and the states of register settings and pins are undefined at the time when power is supplied. In a finished product where the reset signal is applied to the external reset pin, the states of pins are not guaranteed from the time when power is supplied until the reset process is completed. In a similar way, the states of pins in a product that is reset by an on-chip power-on reset function are not guaranteed from the time when power is supplied until the power reaches the level at which resetting is specified.

### 3. Input of signal during power-off state

Do not input signals or an I/O pull-up power supply while the device is powered off. The current injection that results from input of such a signal or I/O pull-up power supply may cause malfunction and the abnormal current that passes in the device at this time may cause degradation of internal elements. Follow the guideline for input signal during power-off state as described in your product documentation.

### 4. Handling of unused pins

Handle unused pins in accordance with the directions given under handling of unused pins in the manual. The input pins of CMOS products are generally in the high-impedance state. In operation with an unused pin in the open-circuit state, extra electromagnetic noise is induced in the vicinity of the LSI, an associated shoot-through current flows internally, and malfunctions occur due to the false recognition of the pin state as an input signal become possible.

### 5. Clock signals

After applying a reset, only release the reset line after the operating clock signal becomes stable. When switching the clock signal during program execution, wait until the target clock signal is stabilized. When the clock signal is generated with an external resonator or from an external oscillator during a reset, ensure that the reset line is only released after full stabilization of the clock signal. Additionally, when switching to a clock signal produced with an external resonator or by an external oscillator while program execution is in progress, wait until the target clock signal is stable.

### 6. Voltage application waveform at input pin

Waveform distortion due to input noise or a reflected wave may cause malfunction. If the input of the CMOS device stays in the area between  $V_{IL}$  (Max.) and  $V_{IH}$  (Min.) due to noise, for example, the device may malfunction. Take care to prevent chattering noise from entering the device when the input level is fixed, and also in the transition period when the input level passes through the area between  $V_{IL}$  (Max.) and  $V_{IH}$  (Min.).

### 7. Prohibition of access to reserved addresses

Access to reserved addresses is prohibited. The reserved addresses are provided for possible future expansion of functions. Do not access these addresses as the correct operation of the LSI is not guaranteed.

### 8. Differences between products

Before changing from one product to another, for example to a product with a different part number, confirm that the change will not lead to problems. The characteristics of a microprocessing unit or microcontroller unit products in the same group but having a different part number might differ in terms of internal memory capacity, layout pattern, and other factors, which can affect the ranges of electrical characteristics, such as characteristic values, operating margins, immunity to noise, and amount of radiated noise. When changing to a product with a different part number, implement a system-evaluation test for the given product.

## Notice

1. Descriptions of circuits, software and other related information in this document are provided only to illustrate the operation of semiconductor products and application examples. You are fully responsible for the incorporation or any other use of the circuits, software, and information in the design of your product or system. Renesas Electronics disclaims any and all liability for any losses and damages incurred by you or third parties arising from the use of these circuits, software, or information.
2. Renesas Electronics hereby expressly disclaims any warranties against and liability for infringement or any other claims involving patents, copyrights, or other intellectual property rights of third parties, by or arising from the use of Renesas Electronics products or technical information described in this document, including but not limited to, the product data, drawings, charts, programs, algorithms, and application examples.
3. No license, express, implied or otherwise, is granted hereby under any patents, copyrights or other intellectual property rights of Renesas Electronics or others.
4. You shall not alter, modify, copy, or reverse engineer any Renesas Electronics product, whether in whole or in part. Renesas Electronics disclaims any and all liability for any losses or damages incurred by you or third parties arising from such alteration, modification, copying or reverse engineering.
5. Renesas Electronics products are classified according to the following two quality grades: "Standard" and "High Quality". The intended applications for each Renesas Electronics product depends on the product's quality grade, as indicated below.  
"Standard": Computers; office equipment; communications equipment; test and measurement equipment; audio and visual equipment; home electronic appliances; machine tools; personal electronic equipment; industrial robots; etc.  
"High Quality": Transportation equipment (automobiles, trains, ships, etc.); traffic control (traffic lights); large-scale communication equipment; key financial terminal systems; safety control equipment; etc.  
Unless expressly designated as a high reliability product or a product for harsh environments in a Renesas Electronics data sheet or other Renesas Electronics document, Renesas Electronics products are not intended or authorized for use in products or systems that may pose a direct threat to human life or bodily injury (artificial life support devices or systems; surgical implantations; etc.), or may cause serious property damage (space system; undersea repeaters; nuclear power control systems; aircraft control systems; key plant systems; military equipment; etc.). Renesas Electronics disclaims any and all liability for any damages or losses incurred by you or any third parties arising from the use of any Renesas Electronics product that is inconsistent with any Renesas Electronics data sheet, user's manual or other Renesas Electronics document.
6. When using Renesas Electronics products, refer to the latest product information (data sheets, user's manuals, application notes, "General Notes for Handling and Using Semiconductor Devices" in the reliability handbook, etc.), and ensure that usage conditions are within the ranges specified by Renesas Electronics with respect to maximum ratings, operating power supply voltage range, heat dissipation characteristics, installation, etc. Renesas Electronics disclaims any and all liability for any malfunctions, failure or accident arising out of the use of Renesas Electronics products outside of such specified ranges.
7. Although Renesas Electronics endeavors to improve the quality and reliability of Renesas Electronics products, semiconductor products have specific characteristics, such as the occurrence of failure at a certain rate and malfunctions under certain use conditions. Unless designated as a high reliability product or a product for harsh environments in a Renesas Electronics data sheet or other Renesas Electronics document, Renesas Electronics products are not subject to radiation resistance design. You are responsible for implementing safety measures to guard against the possibility of bodily injury, injury or damage caused by fire, and/or danger to the public in the event of a failure or malfunction of Renesas Electronics products, such as safety design for hardware and software, including but not limited to redundancy, fire control and malfunction prevention, appropriate treatment for aging degradation or any other appropriate measures. Because the evaluation of microcomputer software alone is very difficult and impractical, you are responsible for evaluating the safety of the final products or systems manufactured by you.
8. Please contact a Renesas Electronics sales office for details as to environmental matters such as the environmental compatibility of each Renesas Electronics product. You are responsible for carefully and sufficiently investigating applicable laws and regulations that regulate the inclusion or use of controlled substances, including without limitation, the EU RoHS Directive, and using Renesas Electronics products in compliance with all these applicable laws and regulations. Renesas Electronics disclaims any and all liability for damages or losses occurring as a result of your noncompliance with applicable laws and regulations.
9. Renesas Electronics products and technologies shall not be used for or incorporated into any products or systems whose manufacture, use, or sale is prohibited under any applicable domestic or foreign laws or regulations. You shall comply with any applicable export control laws and regulations promulgated and administered by the governments of any countries asserting jurisdiction over the parties or transactions.
10. It is the responsibility of the buyer or distributor of Renesas Electronics products, or any other party who distributes, disposes of, or otherwise sells or transfers the product to a third party, to notify such third party in advance of the contents and conditions set forth in this document.
11. This document shall not be reprinted, reproduced or duplicated in any form, in whole or in part, without prior written consent of Renesas Electronics.
12. Please contact a Renesas Electronics sales office if you have any questions regarding the information contained in this document or Renesas Electronics products.  
(Note 1) "Renesas Electronics" as used in this document means Renesas Electronics Corporation and also includes its directly or indirectly controlled subsidiaries.  
(Note 2) "Renesas Electronics product(s)" means any product developed or manufactured by or for Renesas Electronics.

(Rev.4.0-1 November 2017)



### SALES OFFICES

Renesas Electronics Corporation

<http://www.renesas.com>

Refer to "<http://www.renesas.com/>" for the latest and detailed information.

**Renesas Electronics Corporation**  
TOYOSU FORESIA, 3-2-24 Toyosu, Koto-ku, Tokyo 135-0061, Japan

**Renesas Electronics America Inc.**  
1001 Murphy Ranch Road, Milpitas, CA 95035, U.S.A.  
Tel: +1-408-432-8888, Fax: +1-408-434-5351

**Renesas Electronics Canada Limited**  
9251 Yonge Street, Suite 8309 Richmond Hill, Ontario Canada L4C 9T3  
Tel: +1-905-237-2004

**Renesas Electronics Europe Limited**  
Dukes Meadow, Millboard Road, Bourne End, Buckinghamshire, SL8 5FH, U.K.  
Tel: +44-1628-651-700

**Renesas Electronics Europe GmbH**  
Arcadiastrasse 10, 40472 Düsseldorf, Germany  
Tel: +49-211-6503-0, Fax: +49-211-6503-1327

**Renesas Electronics (China) Co., Ltd.**  
Room 1709 Quantum Plaza, No.27 ZhichunLu, Haidian District, Beijing, 100191 P. R. China  
Tel: +86-10-8235-1155, Fax: +86-10-8235-7679

**Renesas Electronics (Shanghai) Co., Ltd.**  
Unit 301, Tower A, Central Towers, 555 Langao Road, Putuo District, Shanghai, 200333 P. R. China  
Tel: +86-21-2226-0888, Fax: +86-21-2226-0999

**Renesas Electronics Hong Kong Limited**  
Unit 1601-1611, 16/F., Tower 2, Grand Century Place, 193 Prince Edward Road West, Mongkok, Kowloon, Hong Kong  
Tel: +852-2265-6688, Fax: +852 2886-9022

**Renesas Electronics Taiwan Co., Ltd.**  
13F, No. 363, Fu Shing North Road, Taipei 10543, Taiwan  
Tel: +886-2-8175-9600, Fax: +886 2-8175-9670

**Renesas Electronics Singapore Pte. Ltd.**  
80 Bendemeer Road, Unit #06-02 Hyflux Innovation Centre, Singapore 339949  
Tel: +65-6213-0200, Fax: +65-6213-0300

**Renesas Electronics Malaysia Sdn.Bhd.**  
Unit 1207, Block B, Menara Amcorp, Amcorp Trade Centre, No. 18, Jln Persiaran Barat, 46050 Petaling Jaya, Selangor Darul Ehsan, Malaysia  
Tel: +60-3-7955-9390, Fax: +60-3-7955-9510

**Renesas Electronics India Pvt. Ltd.**  
No.77C, 100 Feet Road, HAL 2nd Stage, Indiranagar, Bangalore 560 038, India  
Tel: +91-80-67208700, Fax: +91-80-67208777

**Renesas Electronics Korea Co., Ltd.**  
17F, KAMCO Yangjae Tower, 262, Gangnam-daero, Gangnam-gu, Seoul, 06265 Korea  
Tel: +82-2-558-3737, Fax: +82-2-558-5338

Renesas Synergy™ Platform  
S1JA Microcontroller Group

