

BRUSHLESS DC FANS

F410T

FEATURES

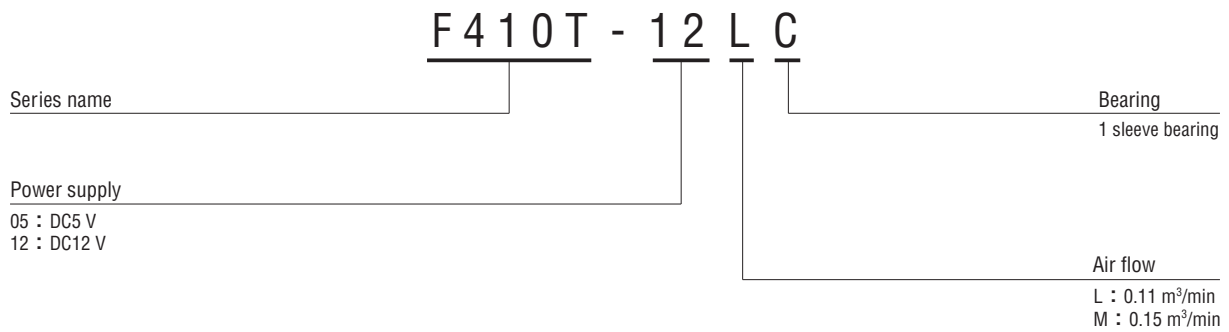
- Low noise 12 dB (A)
- Light weight (approx. 14 g)

STRUCTURE

- Frame and impeller
ABS/PBT alloy
- Bearing
1 sleeve bearing



PART NUMBER DESIGNATION



LIST OF PART NUMBERS

Bearing	Power supply	Part number
C	DC5 V	F410T-05LC
	DC12 V	F410T-12LC
	DC5 V	F410T-05MC
	DC12 V	F410T-12MC

※ Verify the above part numbers when placing orders.

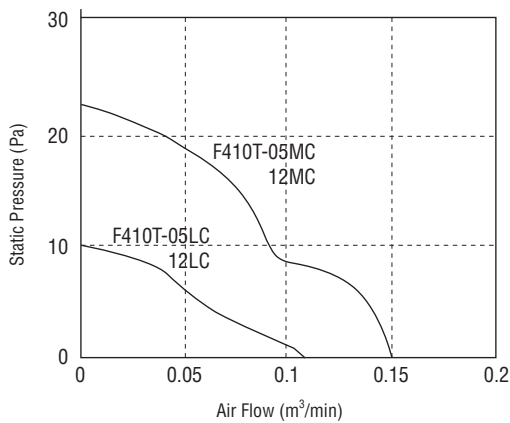
F410T

BRUSHLESS DC FANS

STANDARD SPECIFICATIONS

Item	F410T-05LC	F410T-12LC	F410T-05MC	F410T-12MC
Rated voltage	5 V	12 V	5 V	12 V
Voltage range	4.5 ~ 5.7	10.2 ~ 13.2	4.5 ~ 5.7	10.2 ~ 13.8
Rated current	0.08 A	0.04 A	0.12 A	0.06 A
Rotating speed	4600 min ⁻¹		5800 min ⁻¹	
Air flow	0.11 m ³ /min		0.15 m ³ /min	
Static pressure	10 Pa		23 Pa	
Noise	12 dB (A)		18 dB (A)	
Use environment	-10 ~ +60 °C (35 ~ 85 %RH)			
Storage environment	-20 ~ +70 °C (35 ~ 85 %RH)			
Net weight	Approx. 14 g			

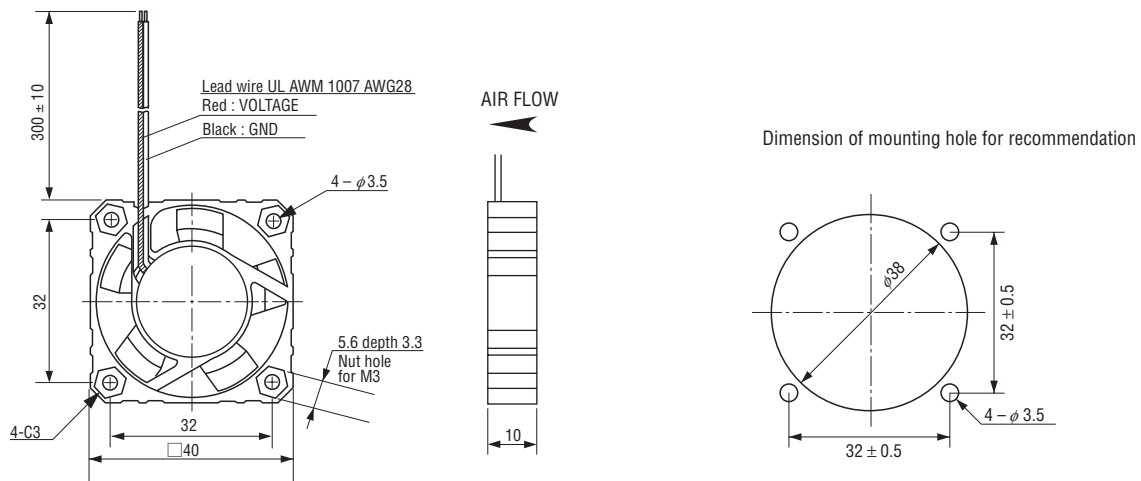
AIR FLOW PERFORMANCE CURVES



※ The specifications above are typical values measured on the conditions of no-loading running with rated voltage in the circumstances of 25 °C ± 2 °C, 35~ 85 %RH. Please contact us if you would like to check the specifications in different circumstances.

OUTLINE DIMENSIONS

(Unit: mm)



Mouser Electronics

Authorized Distributor

Click to View Pricing, Inventory, Delivery & Lifecycle Information:

[Nidec:](#)

[F410T-12MC](#) [F410T-05LC](#) [F410T-12LC](#) [F410T-05MC](#)