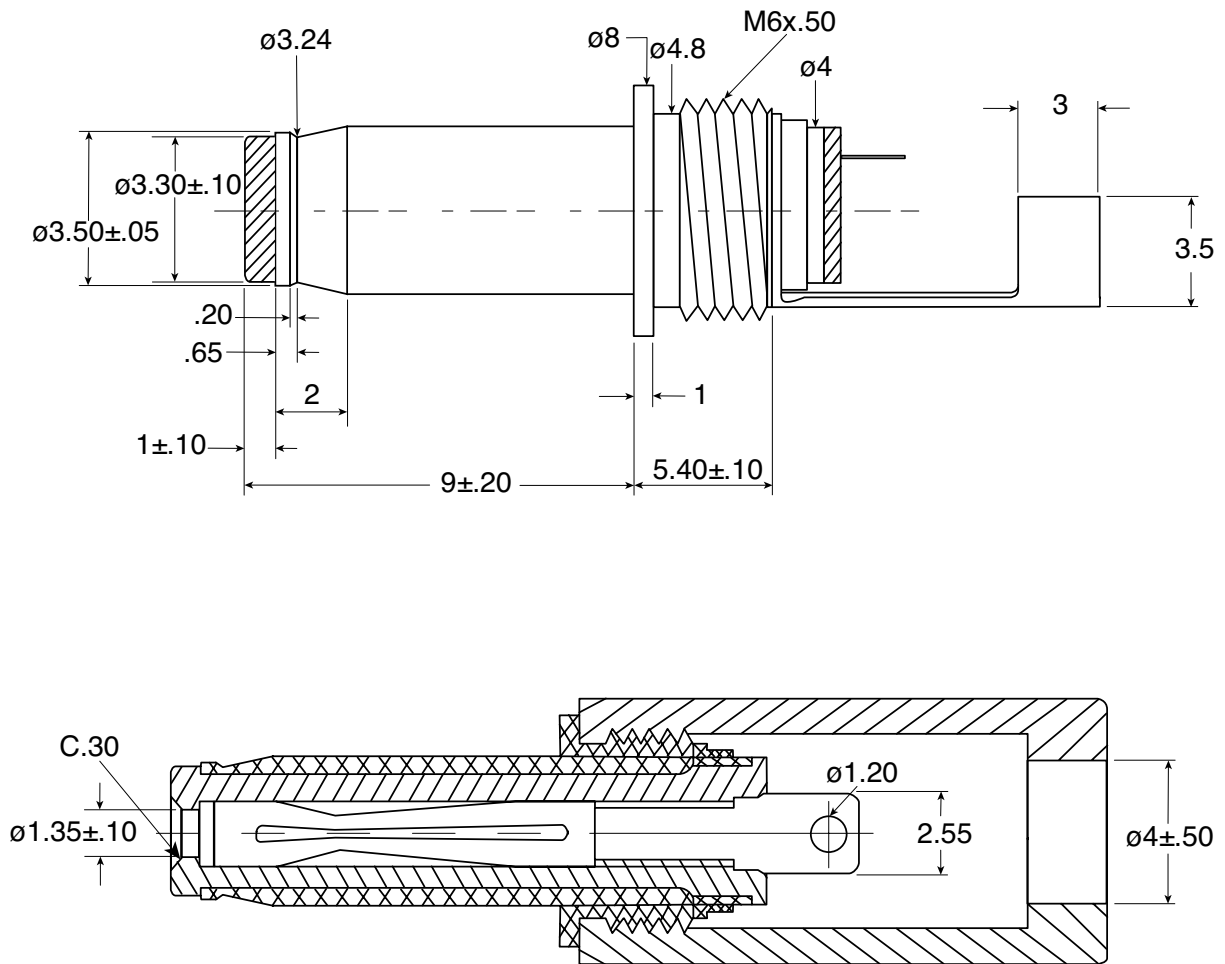


DIMENSIONS: mm



Specifications:

- Voltage Rating : 16V
- Current Rating : 2.5A
- Insulation Resistance : DC 500V/100M Ohm
- Dielectric Strength : AC 500V@1 minute

Note: RoHS Compliant by Exemption

Available from Mouser Electronics
1-800-346-6873 / www.mouser.com

KC-301324

Mouser Electronics

Authorized Distributor

Click to View Pricing, Inventory, Delivery & Lifecycle Information:

[Kobiconn:](#)

[171-PA35135-1-E](#)