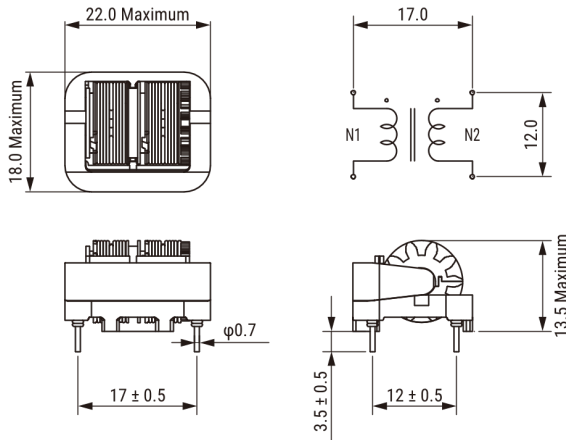


## SSR10H-14140

Aliases (UALR10H1414000)

KEMET, SSR10V/H, AC Line Filters, Common Mode, 14 mH



Click [here](#) for the 3D model.

### Dimensions

L	22mm MAX
T	18mm MAX
H	13.5mm MAX
LL	3.5mm +/-0.5mm
S	17mm +/-0.5mm
S1	12mm +/-0.5mm
Wire Size	0.35mm

### Packaging Specifications

Packaging	Tray
Component Weight	9 g

### General Information

Series	SSR10V/H
Style	Through-Hole
Features	Small Standard Common Mode, High Permeability, Compact Size, Low Profile, Light Weight, High Impedance, Strong Inductance
RoHS	Yes
Miscellaneous	Temperature Rise Maximum: 80 K.
Core	Mn-Zn Ferrite

### Specifications

Voltage AC	250 VAC
Inductance	14 mH (10 kHz)
Current	1.4 A
Temperature Range	-25/+120°C
DC Resistance	400 mOhms