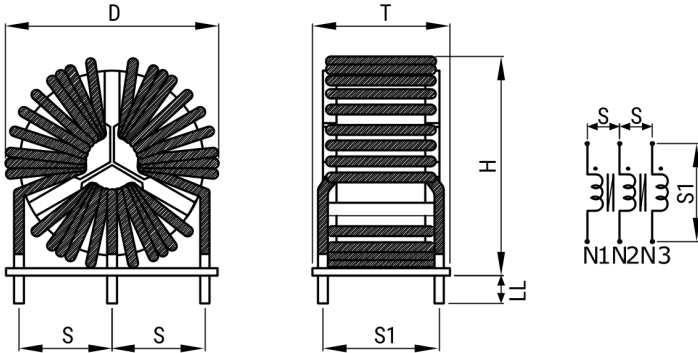


SC-20-SE10J

Aliases (UALSC20SE10J00)

KEMET, SC Three Phase, AC Line Filters, Common Mode, 0.94 mH



Click [here](#) for the 3D model.

Dimensions

| | |
|-----------|------------|
| D | 49mm MAX |
| T | 30mm MAX |
| H | 51mm MAX |
| LL | 5mm +/-1mm |
| S | 20mm NOM |
| S1 | 25mm NOM |
| Wire Size | 1.8mm |

Packaging Specifications

| | |
|--------------------|-------|
| Packaging | Tray |
| Packaging Quantity | 60 |
| Component Weight | 113 g |

General Information

| | |
|---------------|---|
| Series | SC Three Phase |
| Style | Through-Hole |
| Features | High Impedance |
| RoHS | Yes |
| Notes | Lead Spacing (S/S1) Are For Reference Only. |
| Miscellaneous | Temperature Rise Maximum: 90 K. |
| Core | Mn-Zn Ferrite |

Specifications

| | |
|-------------------|------------------|
| Voltage AC | 250 VAC |
| Voltage DC | 250 VDC |
| Inductance | 0.94 mH (10 kHz) |
| Current | 20 A |
| Temperature Range | -25/+120°C |
| DC Resistance | 7 mOhms |