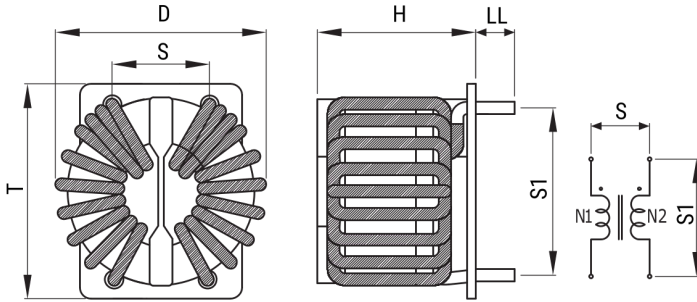


## SC-14-15JH

Aliases (UALSC1415JH000)

KEMET, SC-JH, AC Line Filters, Common Mode, 1.5 mH



Click [here](#) for the 3D model.

### Dimensions

D	42mm MAX
T	41mm MAX
H	28mm MAX
LL	5mm +/-2mm
S	17mm NOM
S1	30mm NOM
Wire Size	1.6mm

### Packaging Specifications

Packaging	Tray
Packaging Quantity	100
Component Weight	78.6 g

### General Information

Series	SC-JH
Style	Through-Hole
RoHS	Yes
Notes	Lead Spacing (S/S1) Are For Reference Only.
Miscellaneous	Temperature Rise Maximum: 55 K.
Core	Mn-Zn Ferrite

### Specifications

Voltage AC	250 VAC
Inductance	1.5 mH (100 kHz)
Current	14 A
Temperature Range	-25/+105°C
DC Resistance	14 mOhms