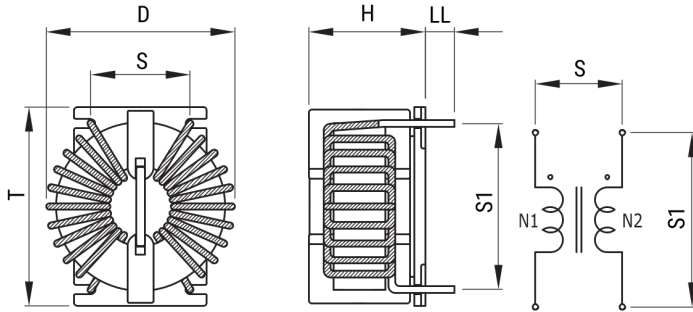


## SC-09-E075JH

Aliases (UALSC09E075JH0)

KEMET, SC-JH, AC Line Filters, Common Mode, 0.75 mH



Click [here](#) for the 3D model.

### Dimensions

D	24mm MAX
T	24.5mm MAX
H	15mm MAX
LL	3.5mm +/-1mm
S	12mm NOM
S1	20mm NOM
Wire Size	1.1mm

### Packaging Specifications

Packaging	Tray
Packaging Quantity	250
Component Weight	13 g

### General Information

Series	SC-JH
Style	Through-Hole
RoHS	Yes
Notes	Lead Spacing (S/S1) Are For Reference Only.
Miscellaneous	Temperature Rise Maximum: 60 K.
Core	Mn-Zn Ferrite

### Specifications

Voltage AC	250 VAC
Inductance	0.75 mH (10 kHz)
Current	9 A
Temperature Range	-25/+120°C
DC Resistance	9 mOhms