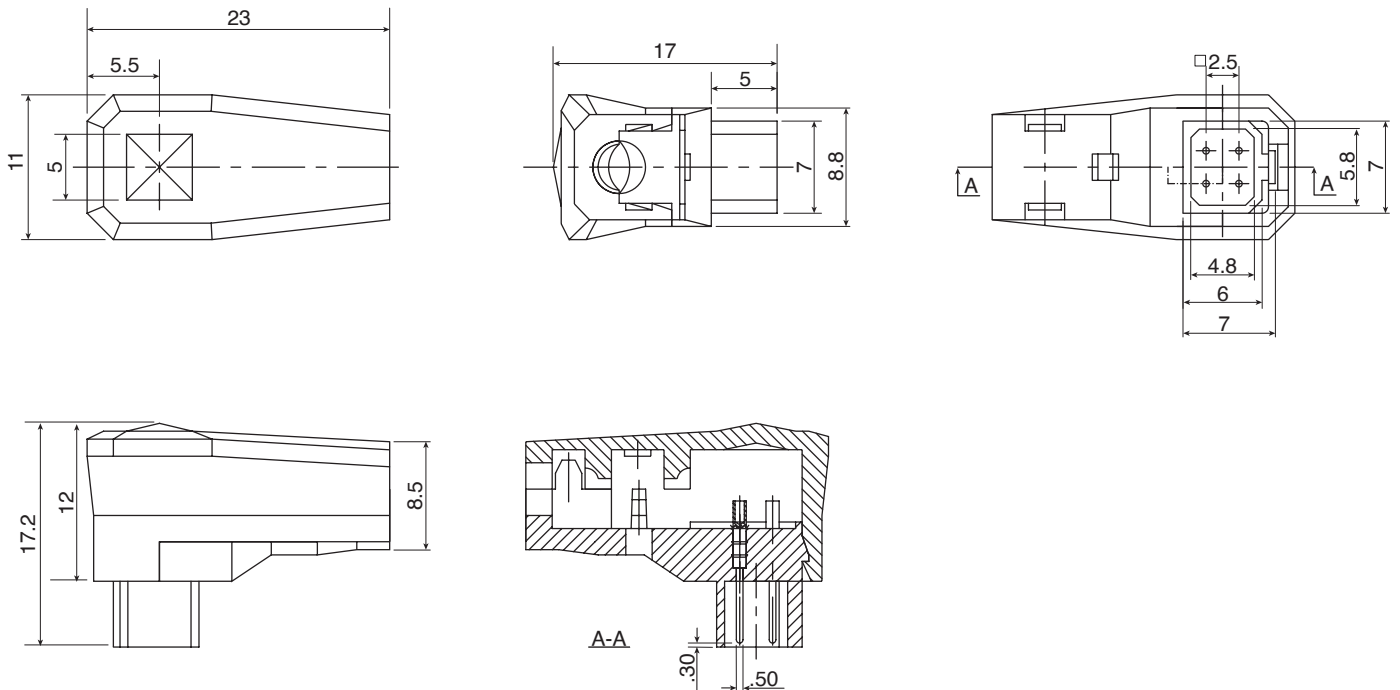


DIMENSIONS: mm



SPECIFICATIONS :

- Rating : 0.5A/30VDC
- Contact Resistance : 20mΩ MAX.
- Insulation Resistance : 100VDC 100MΩ MIN.
- Dielectric Strength : 150VAC For 1 Minute.
- Synthesized Inserting Strength : 4.0kg MAX.
- Synthesized Pulling Strength : 0.3~ 3.5kg.
- Body Material : Nylon 94V - 0~2.

Note: RoHS Compliant by Exemption

Mouser Electronics

Authorized Distributor

Click to View Pricing, Inventory, Delivery & Lifecycle Information:

[Kobiconn:](#)

[161-RB011-EX](#)