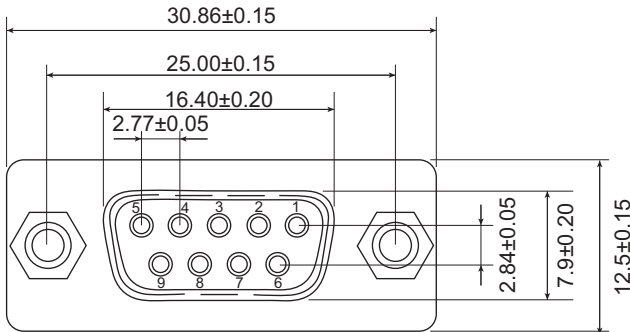
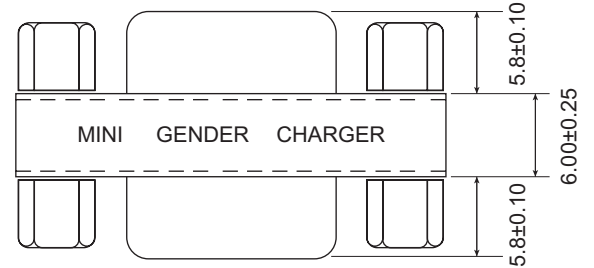
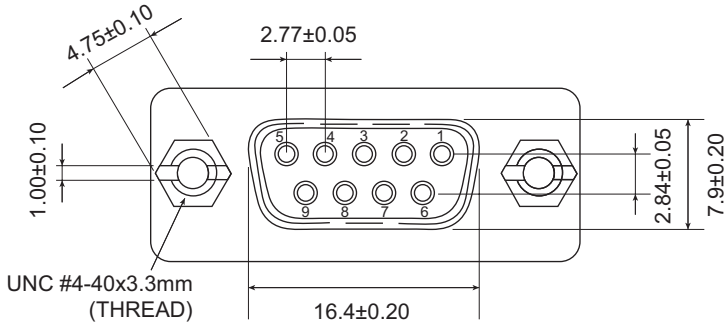
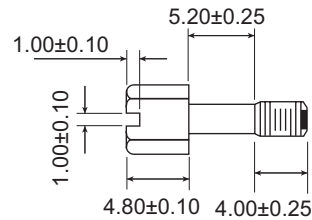


DIMENSIONS: mm

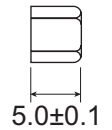
156-03002-E : 9 Pin



UNC #4-40 Hexscrew

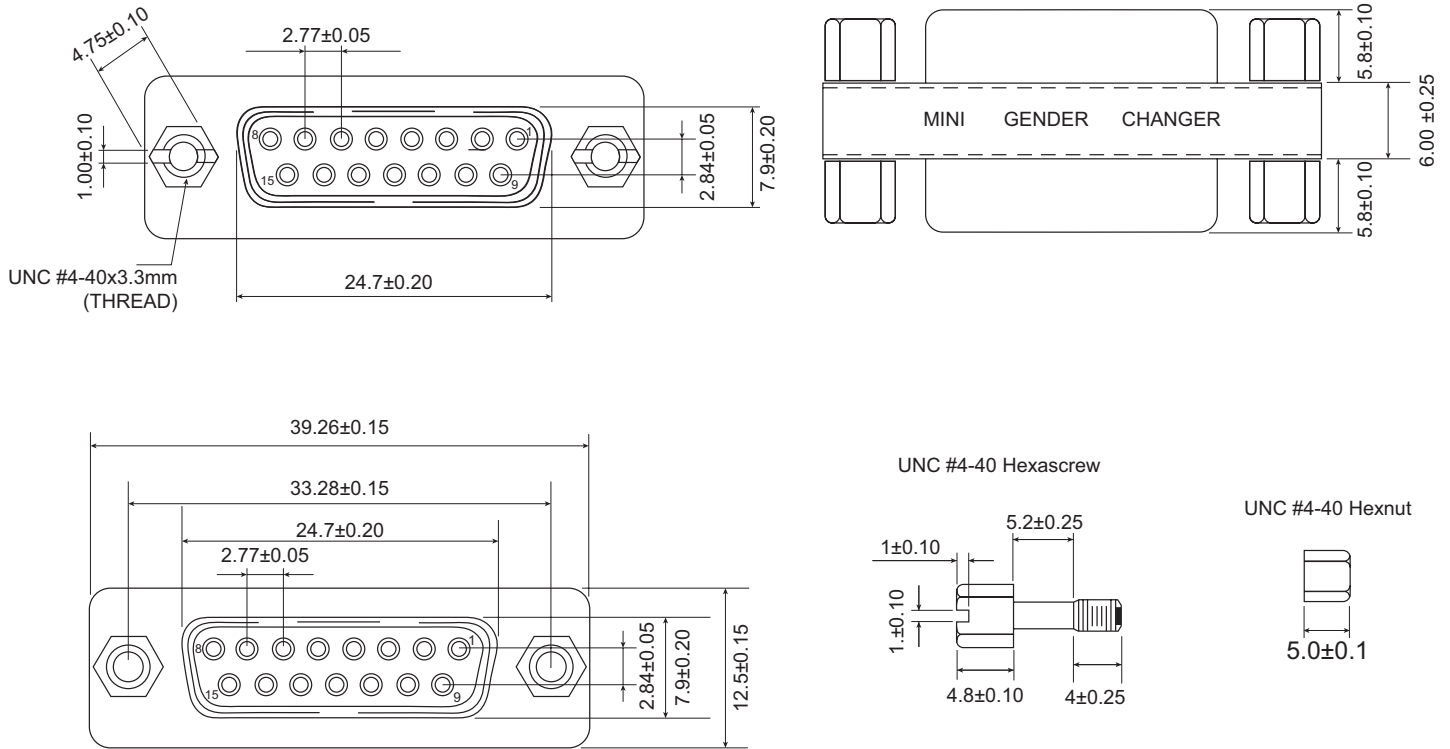


UNC #4-40 Hexnut



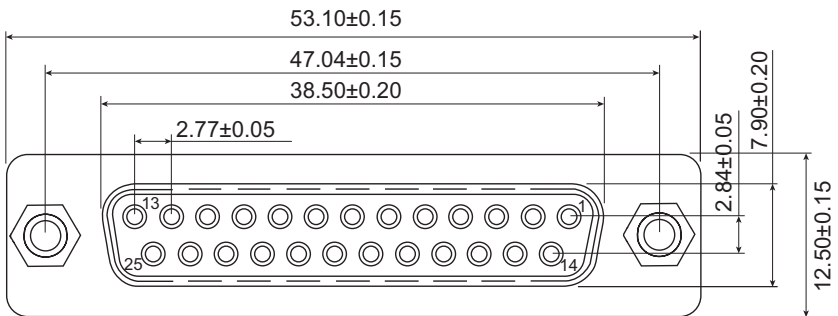
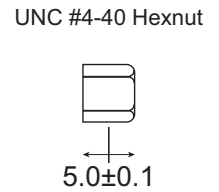
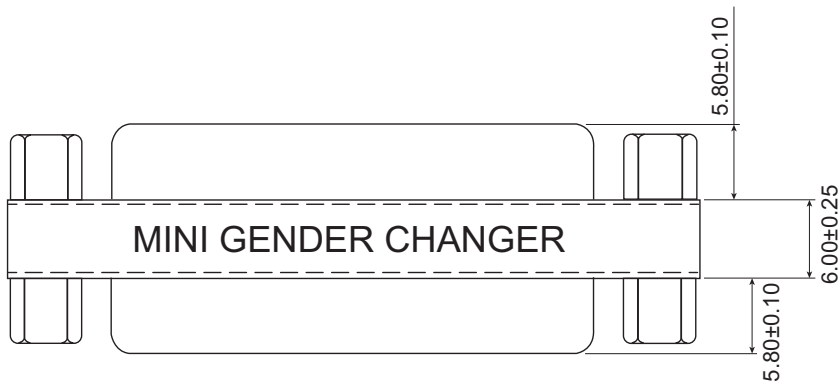
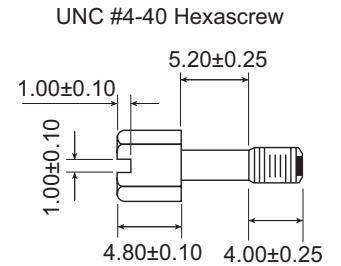
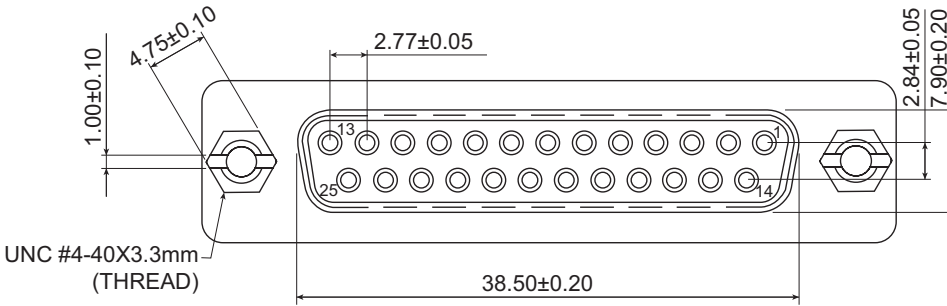
DIMENSIONS: mm

156-03062-E : 15 Pin



DIMENSIONS: mm

156-03102-E : 25 Pin





MINI GENDER CHARGER

156-03022-E, 156-03062-E, 156-03102-E

Date Last Revised: 12/28/22

SPECIFICATIONS

- Insulator: PBT glass fibre reinforced UL 94 VO
- Contact: Brass
- Contact Plating: Gold plated over nickel
- Shell: Tin plated shell
- Current Rating: 3AMP
- Dielectric Strength: 1000V AC for one minute
- Insulator Resistance: 1000MΩ min at 500V DC
- Temperature: -55°C- +105°C
- Label Cover: Yellow Label
- D-Sub Insulator Color (A) = Blue
- Contact Area Plating: Gold Flash

Available from Mouser Electronics
1-800-346-6873 / www.mouser.com

KC-20223621-A_V1

Specifications are subject to change without notice. No liability or warranty implied by this information. Environmental compliance based on producer documentation.

Mouser Electronics

Authorized Distributor

Click to View Pricing, Inventory, Delivery & Lifecycle Information:

[Kobiconn:](#)

[156-03022-E](#) [156-03062-E](#) [156-03102-E](#)