

Sync DIN Rail Power Supply

5V 50W Series / DRS-5V50W1A□ / DRS-5V50W1N□



Highlights & Features

- Ultra-compact size and galvanic isolation up to 3.0kVac between input to output and input to ground
- Universal AC input voltage and full power from -10°C to +55°C operation
- Up to 82.0% efficiency
- Low earth leakage current < 0.75mA @ 264Vac
- Built-in DC OK relay contact option available
- Extreme low temperature cold start at -40°C
- NEC Class 2 / Limited Power Source (LPS) certified (DRS-5V50W1N□)
- Certified according to IEC/EN/UL 62368-1

Safety Standards



CB Certified for worldwide use



*This picture is for reference to DRS-5V50W series only.

Model Number: DRS-5V50W1□□
Unit Weight: 0.16 kg (0.35 lb)
Dimensions (L x W x D): 75 x 30 x 89.5 mm
 (2.95 x 1.18 x 3.52 inch)

General Description

The ultra-compact and competitively priced Delta Sync DIN Rail DRS-5V50W1□□ power supply is designed for industrial applications requiring highly reliable power supply that must fit in a small space. The Sync series operates with universal AC input range and offers full power up to 55°C. The output is adjustable from 5-5.5 volts, and can support up to 3000 microfarads of load capacitance. A green LED indicates output is present. All models in the series are certified according to IEC/EN/UL 60950-1, IEC/EN/UL 62368-1 Information Technology Equipment (ITE) and UL 508 Industrial Control Equipment (ICE). The series is also fully compliant with RoHS Directive 2011/65/EU for environmental protection. NEC Class 2 and Limited Power Source (LPS) approvals are available for DRS-5V50W1N□.

Model Information

Sync DIN Rail Power Supply

| Model Number | Input Voltage Range | Rated Output Voltage | Rated Output Current |
|--------------|------------------------|----------------------|----------------------|
| DRS-5V50W1A□ | 85-264Vac (120-375Vdc) | 5Vdc | 6.0A |
| DRS-5V50W1N□ | | | 5.0A |

Model Numbering

| DR | S – | 5V | 50W | 1 | □ | □ |
|----------|-----------------------------------|----------------|------------|--------------|--|---|
| DIN Rail | Product Series S – Sync Series | Output Voltage | 50W series | Single Phase | A – Non NEC Class 2 N – NEC Class 2 | Z – Without DC OK Relay Contact R – With DC OK Relay Contact |



Sync DIN Rail Power Supply

5V 50W Series / DRS-5V50W1A□ / DRS-5V50W1N□

Specifications

| Model Number | DRS-5V50W1A□ | DRS-5V50W1N□ |
|--------------|--------------|--------------|
|--------------|--------------|--------------|

Input Ratings / Characteristics

| | | |
|---------------------------------|----------------------------------|--------------------------|
| Nominal Input Voltage | 100-240Vac | |
| Input Voltage Range | 85-264Vac | |
| Nominal Input Frequency | 50-60Hz | |
| Input Frequency Range | 47-63Hz | |
| DC Input Voltage Range* | 120-375Vdc | |
| Input Current | < 0.6A @ 115Vac, < 0.4A @ 230Vac | |
| Efficiency at 100% Load | > 82% @ 115Vac & 230Vac | |
| Max Power Dissipation | 0% load | < 0.7W @ 115Vac & 230Vac |
| | 100% load | < 7.0W @ 115Vac & 230Vac |
| Max Inrush Current (Cold Start) | < 30A @ 115Vac, < 60A @ 230Vac | |
| Leakage Current | IEC/EN 60950-1 | < 0.75mA @ 264Vac |
| (Neutral to PE terminal) | IEC/EN 62368-1 | < 1.5mA @ 264Vac |

*Fulfills test conditions for DC input. Safety approval for DC input can be obtained upon request.

Output Ratings / Characteristics**

| | | |
|---|--|--|
| Nominal Output Voltage | 5Vdc | |
| Factory Set Point Tolerance | 5Vdc ± 2% | |
| Output Voltage Adjustment Range | 5-5.5Vdc | |
| Output Current | 6.0A (30W max.) | 5.0A (25W max.) |
| Output Power | 30W | 25W |
| Line Regulation | < 0.5% (@ 85-264Vac, 100% load) | |
| Load Regulation | < 1.0% (@ 85-264Vac, 0-100% load) | |
| PARD*** (20MHz) | < 50mVpp @ > 0°C to 70°C < 100mVpp @ 0°C to -20°C | |
| Rise Time | < 30ms @ nominal input (100% load) | |
| Start-up Time | < 2,000ms @ 115Vac (100% load) < 1,000ms @ 230Vac (100% load) | |
| Hold-up Time | > 20ms @ 115Vac, > 100ms @ 230Vac (100% load) | |
| Dynamic Response (Overshoot & Undershoot O/P Voltage) | ± 5% @ 85-264Vac input, 10-100% load (Slew Rate: 0.1A/μs, 50% duty cycle @ 5Hz to 1KHz) | |
| Start-up with Capacitive Loads | 3,000μF Max | |
| Functional | DC OK Relay Contact (for DRS-5V50W1AR, DRS-5V50W1NR) | 30V / 1A, resistive load The relay contact are normally "ON" (closed) when the output (Vout) is greater than 75% of its rated value and "OFF" (opened) when the output (Vout) is less than 75% typ. |

**For power de-rating from < -10°C to -20°C, and 55°C to 70°C, see power de-rating on page 3.

***PARD is measured with an AC coupling mode, 5cm wires, and in parallel with 0.1μF ceramic capacitor & 47μF electrolytic capacitor.

Sync DIN Rail Power Supply

5V 50W Series / DRS-5V50W1A□ / DRS-5V50W1N□

| | | Model Number | DRS-5V50W1A□ | DRS-5V50W1N□ |
|-----------------------------------|----------------|--------------|--|--------------|
| Mechanical | | | | |
| Case Cover / Chassis | | | Plastic | |
| Dimensions (L x W x D) | | | 75 x 30 x 89.5 mm (2.95 x 1.18 x 3.52 inch) | |
| Unit Weight | | | 0.16 kg (0.35 lb) | |
| Indicator | | | Green LED (DC OK) | |
| Cooling System | | | Convection | |
| Terminal | Input | | 3 Pins (Rated 300V/16A) | |
| | Output | | 4 Pins (Rated 300V/16A) | |
| Wire | Input / Output | | AWG 22-12 / AWG 18-12 | |
| Mounting Rail | | | Standard TS35 DIN Rail in accordance with EN 60715 | |
| Noise (1 Meter from power supply) | | | Sound Pressure Level (SPL) < 25dBA | |

Environment

| | | |
|-----------------------------|---------------|---|
| Surrounding Air Temperature | Operating | -20°C to +70°C (Cold start at -40°C @ 40% load) |
| | Storage | -40°C to +85°C |
| Power De-rating | | -10°C to -20°C de-rate power by 2% / °C > 55°C de-rate power by 3.33% / °C |
| Operating Humidity | | 5 to 95% RH (Non-Condensing) |
| Operating Altitude | | 0 to 2,000 Meters (6,560 ft.) |
| Shock Test | Non-Operating | IEC60068-2-27, Half Sine Wave: 50G for a duration of 11ms; 3 times per direction, 9 times in total |
| | Operating | IEC 60068-2-27, Half Sine Wave: 10G for a duration of 11ms; 1 time in X axis |
| Vibration | Non-Operating | IEC 60068-2-6, Random: 5-500Hz; 2.09G _{rms} , 20 min per axis for all X, Y, Z directions |
| | Operating | IEC 60068-2-6, Sine Wave: 10-500Hz; 2G peak; displacement of 0.35mm; 1 octave per min; 60 min per axis for all X, Y, Z directions |
| Pollution Degree | | 2 |

Protections

| | |
|--------------------------|--|
| Overvoltage | < 7.245V, SELV Output, Latch Mode |
| Overload / Overcurrent | 105~125% of rated load current, Foldback Mode (continuous current, voltage drops), Auto-recovery when the fault is removed |
| Over Temperature | < 75°C Surrounding Air Temperature @ 100% load, Latch Mode |
| Short Circuit | Hiccup Mode, Non-Latching (Auto-recovery when the fault is removed) |
| Internal Fuse | T3.15A |
| Degree of Protection | IP20 |
| Protection Against Shock | Class I with PE* connection |

*PE: Primary Earth

Sync DIN Rail Power Supply

5V 50W Series / DRS-5V50W1A□ / DRS-5V50W1N□

| Model Number | DRS-5V50W1A□ | DRS-5V50W1N□ |
|--------------|--------------|--------------|
|--------------|--------------|--------------|

Reliability Data

| | | |
|------------------------|------------------|---|
| MTBF | Telcordia SR-332 | > 700,000 hrs, I/P: 115Vac & 230Vac, O/P: 100% load, Ta: 25°C |
| | MIL-HDBK-217F | 165,300 hrs, I/P: 115Vac & 230Vac, O/P: 100% load, Ta: 25°C |
| Expected Cap Life Time | | 10 years (115ac & 230Vac, 50% load @ 40°C) |

Safety Standards / Directives

| | | |
|------------------------------|---------------------------------|--|
| Safety Entry Low Voltage | | SELV (EN 60950) |
| Electrical Safety | TUV Bauart UL/cUL recognized | EN 60950-1, EN 62368-1 UL 60950-1, UL 62368-1, CSA C22.2 No. 60950-1 (File No. E191395) |
| | CB Scheme | IEC 60950-1, IEC 62368-1, Limited Power Source (LPS, for DRS-5V50WN□ only) |
| Industrial Control Equipment | UL/cUL listed | UL 508 and CSA C22.2 No. 107.1-01 (File No. E315335) |
| Class 2 Power Supply | UL/cUL recognized | UL 60950-1, UL 62368-1, CSA C22.2 No. 60950-1 (File No. E191395) (for DRS-5V50WN□ only) |
| CE | | In conformance with EMC Directive 2014/30/EU and Low Voltage Directive 2014/35/EU |
| Material and Parts | | RoHS Directive 2011/65/EU Compliant |
| Galvanic Isolation | Input to Output | 3.0KVac |
| | Input to Ground | 3.0KVac |
| | Output to Ground | 0.5KVac |

Sync DIN Rail Power Supply

5V 50W Series / DRS-5V50W1A□ / DRS-5V50W1N□

| | | Model Number | DRS-5V50W1A□ | DRS-5V50W1N□ |
|--|----------------|--------------|--|--|
| EMC | | | | |
| Emissions (CE & RE) | | | Generic Standards: EN 61000-6-3, EN 61000-6-4 CISPR 32, EN 55032 EN 55011, FCC Title 47: Class B | |
| Component Power Supply for General Use | | | EN 61204-3 | |
| Immunity | | | Generic Standards: EN 55024, EN 61000-6-1, EN 61000-6-2 | |
| Electrostatic Discharge | IEC 61000-4-2 | | Level 3 Criteria A ¹⁾ Air Discharge: 8kV Contact Discharge: 6kV | |
| Radiated Field | IEC 61000-4-3 | | Level 3 Criteria A ¹⁾ 80MHz-1GHz, 10V/M with 1kHz tone / 80% modulation 1.4GHz-2GHz, 3V/M with 1kHz tone / 80% modulation 2GHz-2.7GHz, 1V/M with 1kHz tone / 80% modulation | |
| Electrical Fast Transient / Burst | IEC 61000-4-4 | | Level 3 Criteria A ¹⁾ 2kV | |
| Surge | IEC 61000-4-5 | | Level 3 Criteria A ¹⁾ Common Mode ³⁾ : 2kV Differential Mode ⁴⁾ : 1kV | |
| Conducted | IEC 61000-4-6 | | Level 3 Criteria A ¹⁾ 150kHz-80MHz, 10Vrms | |
| Power Frequency Magnetic Fields | IEC 61000-4-8 | | Criteria A ¹⁾ 30A/Meter | |
| Voltage Dips and Interruptions | IEC 61000-4-11 | | 0% of 100Vac, 0Vac, 20ms 0% of 100Vac, 0Vac, 5000ms 40% of 100Vac, 40Vac, 100ms 70% of 100Vac, 70Vac, 500ms 0% of 240Vac, 0Vac, 20ms 0% of 240Vac, 12Vac, 5000ms 40% of 240Vac, 96Vac, 200ms 70% of 240Vac, 168Vac, 500ms | Criteria A ¹⁾ Criteria B ²⁾ Criteria B ²⁾ Criteria A ¹⁾ Criteria A ¹⁾ Criteria B ²⁾ Criteria A ¹⁾ Criteria A ¹⁾ |
| Low Energy Pulse Test (Ring Wave) | IEC 61000-4-12 | | Level 3 Criteria A ¹⁾ Common Mode ³⁾ : 2kV Differential Mode ⁴⁾ : 1kV | |
| Harmonic Current Emission | | | IEC/EN 61000-3-2, Class A | |
| Voltage Fluctuation and Flicker | | | IEC/EN 61000-3-3 | |

1) Criteria A: Normal performance within the specification limits
 2) Criteria B: Temporary degradation or loss of function which is self-recoverable
 3) Asymmetrical: Common mode (Line to earth)
 4) Symmetrical: Differential mode (Line to line)

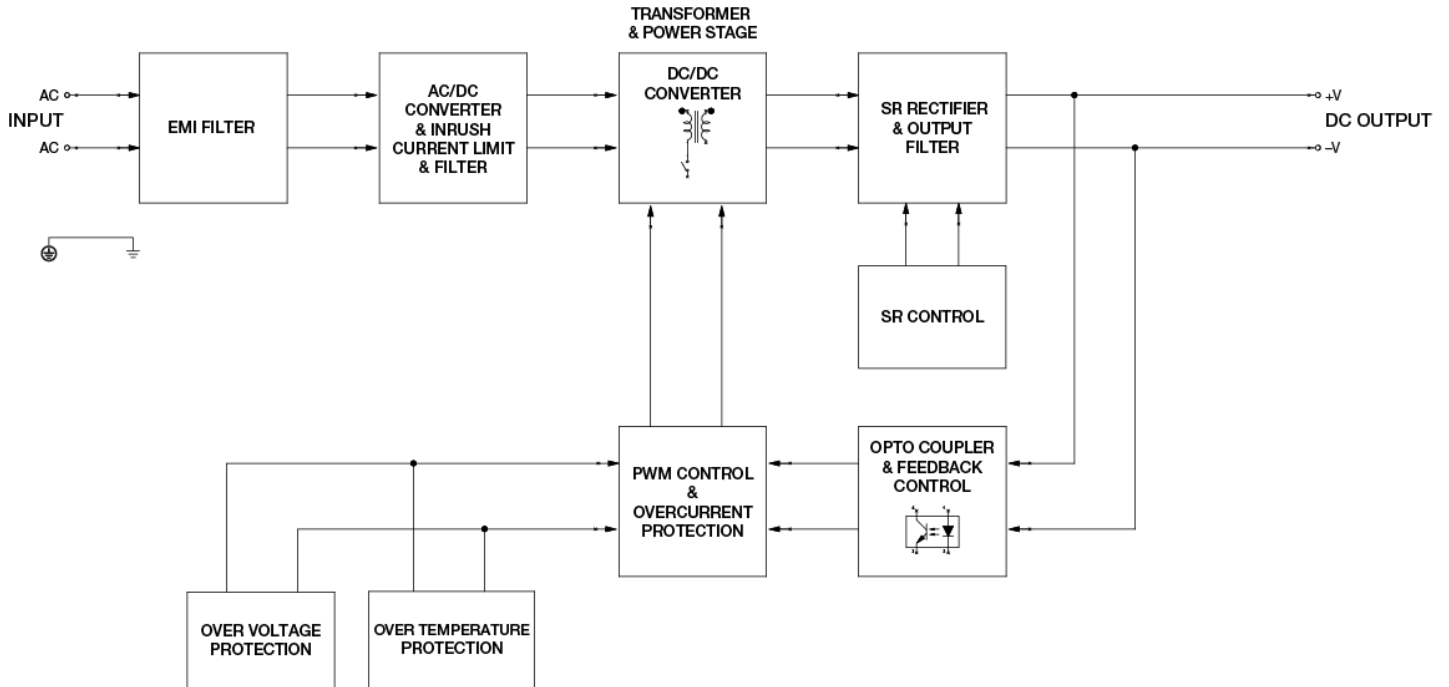


Sync DIN Rail Power Supply

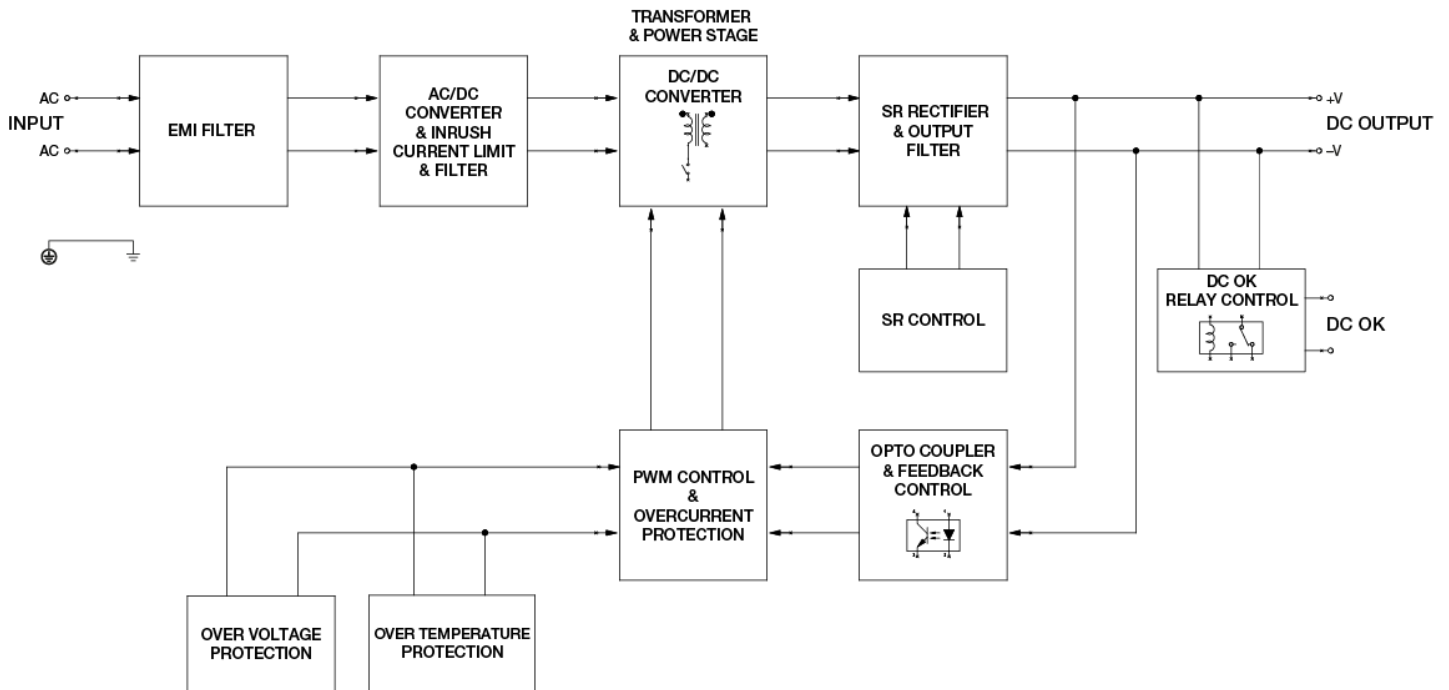
5V 50W Series / DRS-5V50W1A□ / DRS-5V50W1N□

Block Diagram

DRS-5V50W1□Z



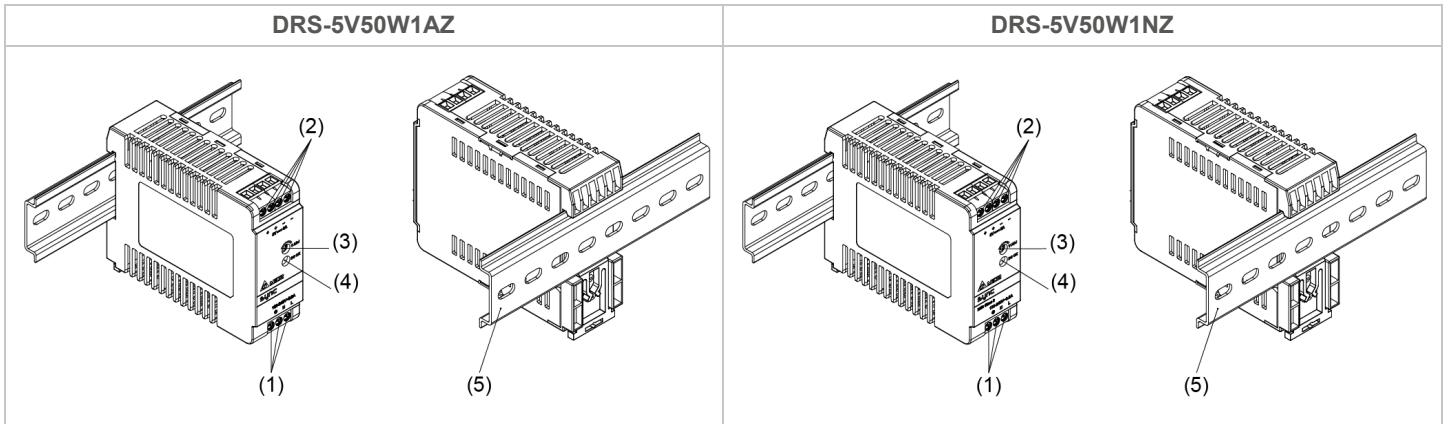
DRS-5V50W1□R



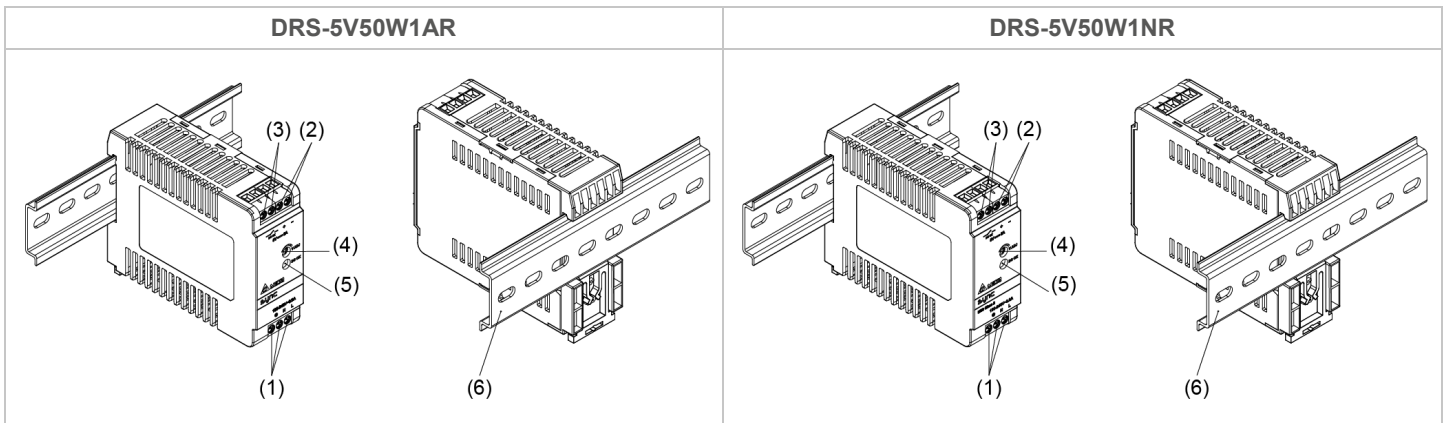
Sync DIN Rail Power Supply

5V 50W Series / DRS-5V50W1A□ / DRS-5V50W1N□

Device Description



- 1) Input terminal block connector
- 2) Output terminal block connector
- 3) DC voltage adjustment potentiometer
- 4) DC OK LED (Green)
- 5) Universal mounting system



- 1) Input terminal block connector
- 2) Output terminal block connector
- 3) DC OK relay contact
- 4) DC voltage adjustment potentiometer
- 5) DC OK LED (Green)
- 6) Universal mounting system

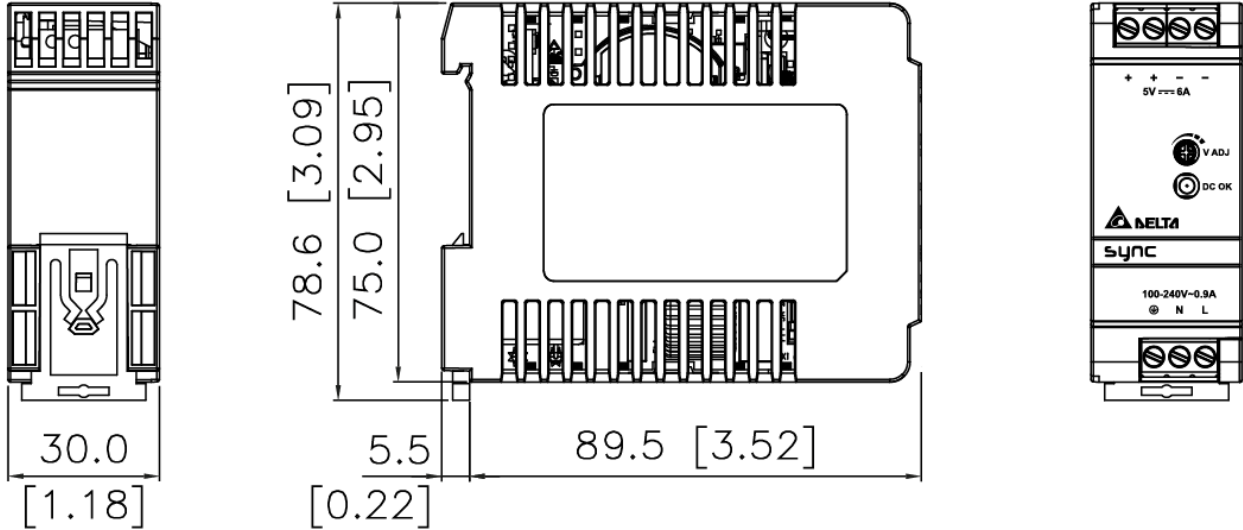
Sync DIN Rail Power Supply

5V 50W Series / DRS-5V50W1A□ / DRS-5V50W1N□

Dimensions

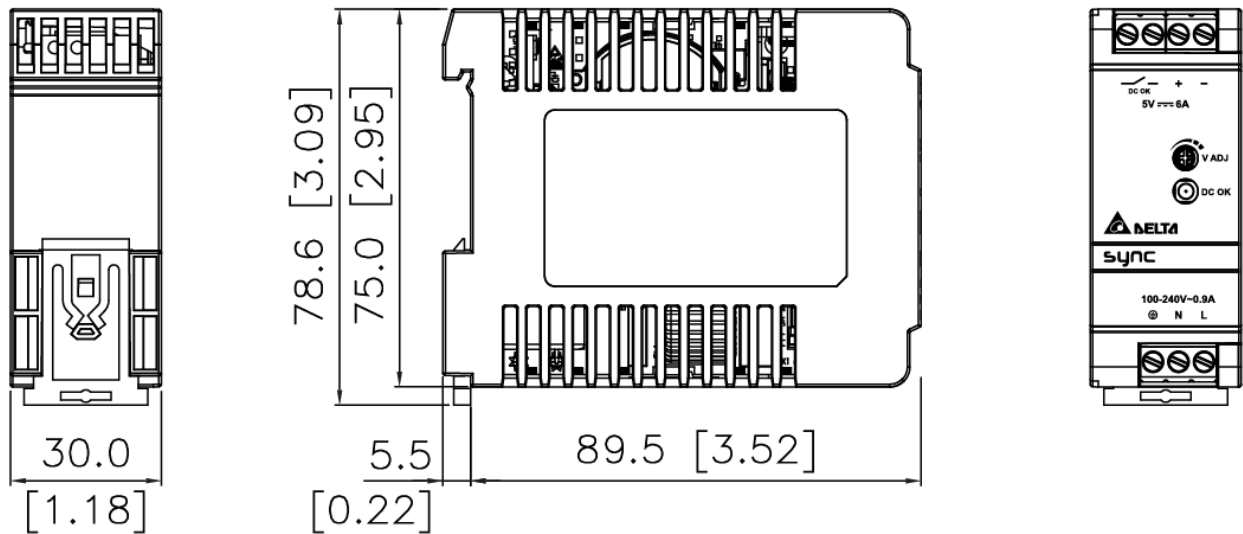
■ **DRS-5V50W1AZ**

L x W x D: 75 x 30 x 89.5 mm [2.95 x 1.18 x 3.52 inch]



■ **DRS-5V50W1AR**

L x W x D: 75 x 30 x 89.5 mm [2.95 x 1.18 x 3.52 inch]

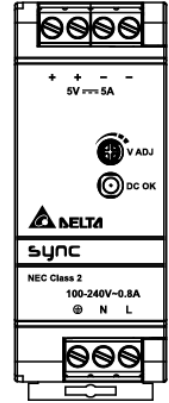
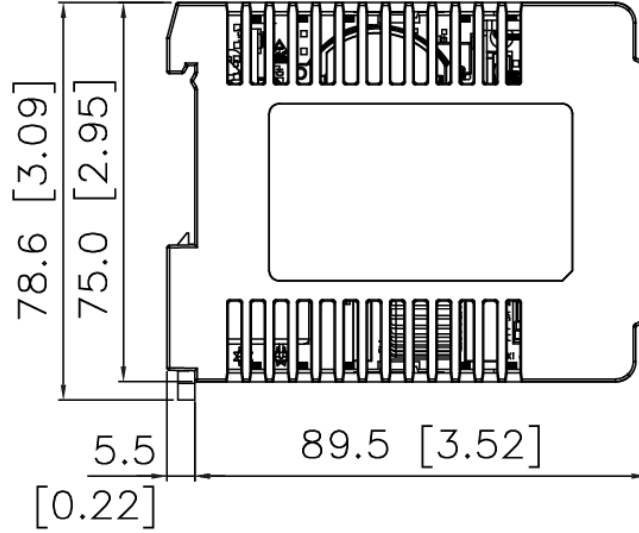
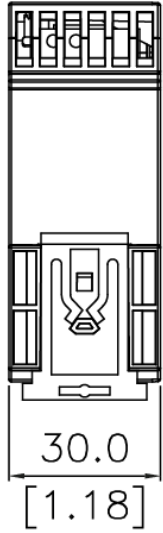


Sync DIN Rail Power Supply

5V 50W Series / DRS-5V50W1A□ / DRS-5V50W1N□

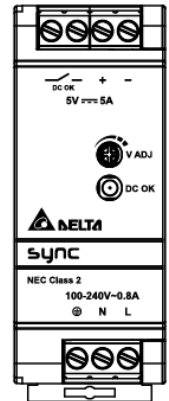
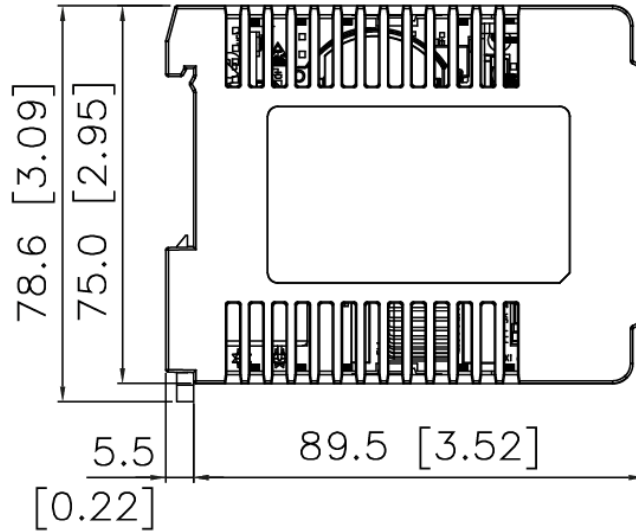
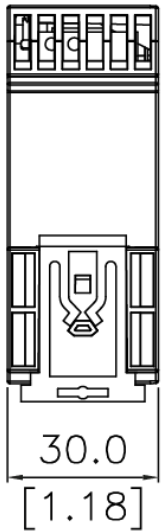
■ **DRS-5V50W1NZ**

L x W x D: 75 x 30 x 89.5 mm [2.95 x 1.18 x 3.52 inch]



■ **DRS-5V50W1NR**

L x W x D: 75 x 30 x 89.5 mm [2.95 x 1.18 x 3.52 inch]



Sync DIN Rail Power Supply

5V 50W Series / DRS-5V50W1A□ / DRS-5V50W1N□

Engineering Data

Output Load De-rating VS Surrounding Air Temperature

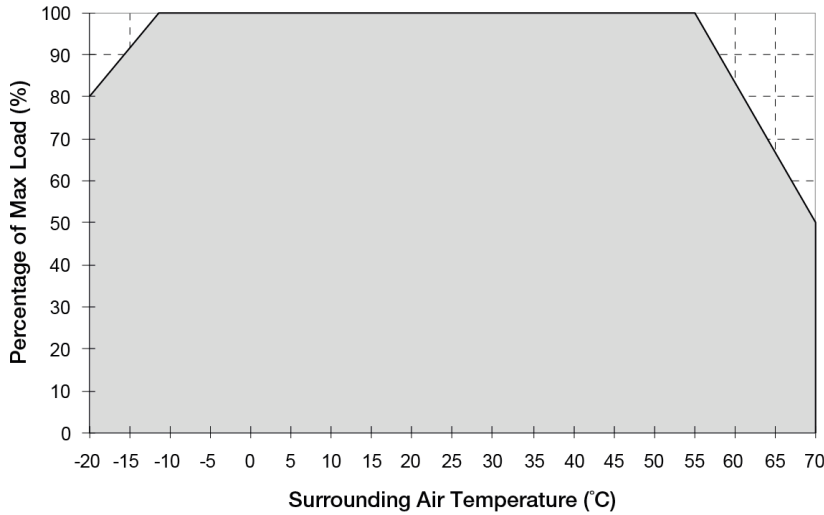


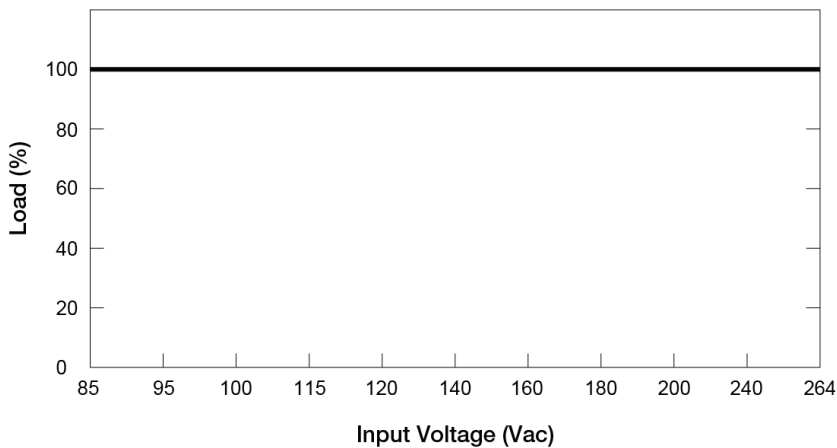
Fig. 1 De-rating for Vertical Mounting Orientation

-10°C to -20°C de-rate power by 2% / °C
 > 55°C de-rate power by 3.33% / °C

Note

1. Power supply components may degrade, or be damaged, when the power supply is continuously used outside the shaded region, refer to the graph shown in Fig. 1.
2. If the output capacity is not reduced when the surrounding air temperature >55°C, the device will run into Over Temperature Protection. When activated, power supply will latch off, until the surrounding air temperature is lowered or the load is reduced as far as necessary to keep the device in working condition, and require removal/re-application of input AC voltage in order to restart.
3. In order for the device to function in the manner intended, it is also necessary to keep a safety distance of 80mm (3.14 inch) above and below the device as well as a lateral distance of 25mm (0.98 inch) to other units while the device is in operation.
4. Depending on the surrounding air temperature and output load delivered by the power supply, the device can be very hot!
5. If the device has to be mounted in any other orientation, please contact info@deltapsu.com for more details.

Output Load De-rating VS Input Voltage



- No output power de-rating across the entire input voltage range

Sync DIN Rail Power Supply

5V 50W Series / DRS-5V50W1A□ / DRS-5V50W1N□

Assembly & Installation

The power supply unit (PSU) can be mounted on 35mm DIN rails in accordance with EN60715. The device should be installed with input terminal block at the bottom.

Each device is delivered ready to install.

Mounting

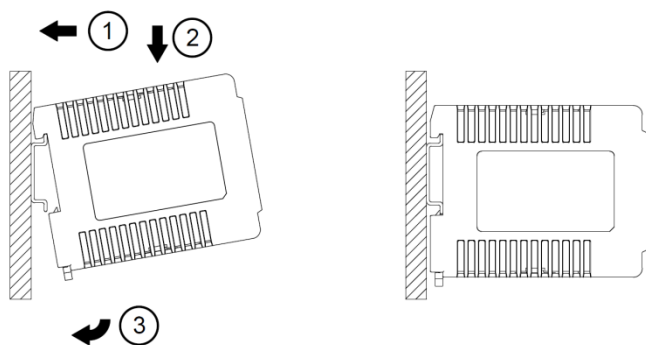


Fig. 2.1 Mounting

Snap on the DIN rail as shown in Fig. 2.1:

1. Tilt the unit slightly upwards and put it onto the DIN rail.
2. Push downwards until stopped.
3. Press against the bottom front side for locking.
4. Shake the unit slightly to ensure that it is secured.

Dismounting

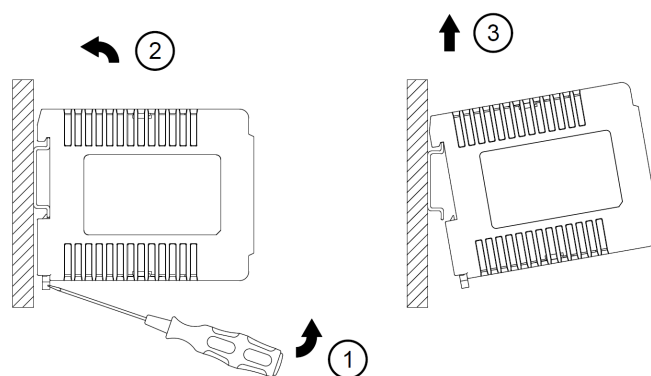
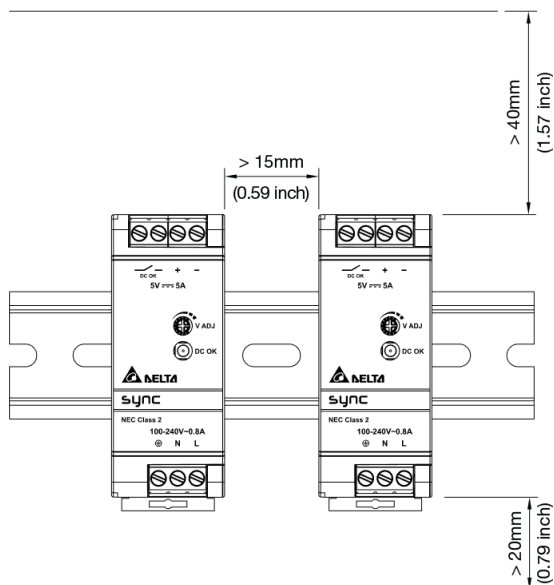


Fig. 2.2 Dismounting

To uninstall, pull or slide down the latch with screw driver as shown in Fig. 2.2. Then slide the power supply unit (PSU) in the opposite direction, release the latch and pull out the power supply unit (PSU) from the rail.

Safety Instructions



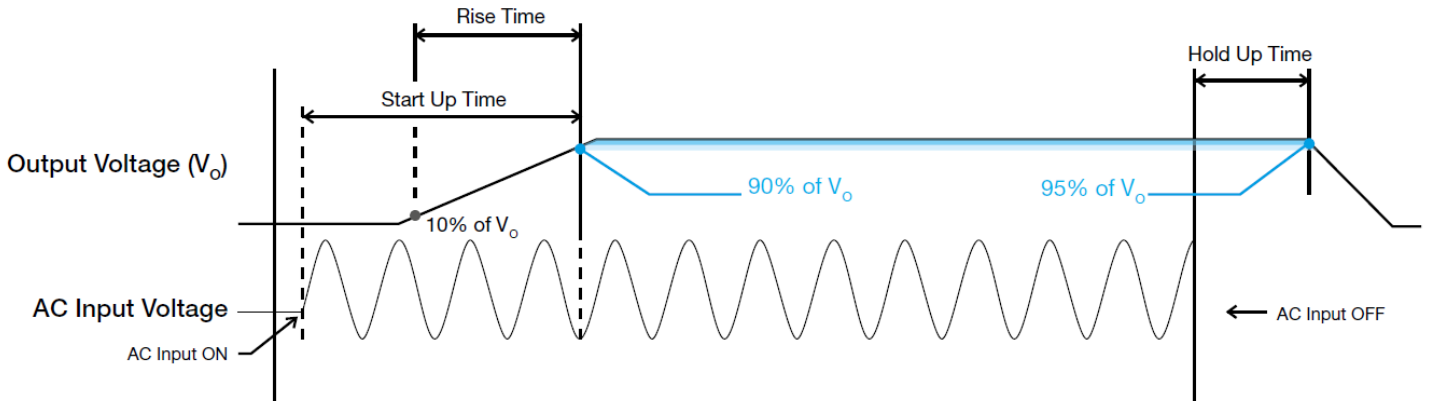
- ALWAYS switch mains of input power OFF before connecting and disconnecting the input voltage to the device. If mains are not turned OFF, there is risk of explosion / severe damage.
- **To guarantee sufficient convection cooling, keep a distance of > 40mm (1.57 inch) above and > 20mm (0.79 inch) below the device as well as a lateral distance of > 15mm (0.59 inch) to other units. In case the adjacent device is a heat source, the lateral distance will be > 25mm (0.98 inch).**
- Note that the enclosure of the device can become very hot depending on the surrounding air temperature and output load connected to the device. Risk of burns!
- The main power must be turned off before connecting or disconnecting the wires to the terminals!
- DO NOT insert any objects into the device.
- Dangerous voltages present for at least 5 minutes after disconnecting all sources of power.
- The power supplies unit should be installed in minimum IP54 rated enclosure.
- The power supplies are built in units and must be installed in a cabinet or room (condensation free environment and indoor location) that is relatively free of conductive contaminants.

Sync DIN Rail Power Supply

5V 50W Series / DRS-5V50W1A□ / DRS-5V50W1N□

Functions

- Graph illustrating the Start-up Time, Rise Time, and Hold-up Time



Start-up Time

The time required for the output voltage to reach 90% of its final steady state set value, after the input voltage is applied.

Rise Time

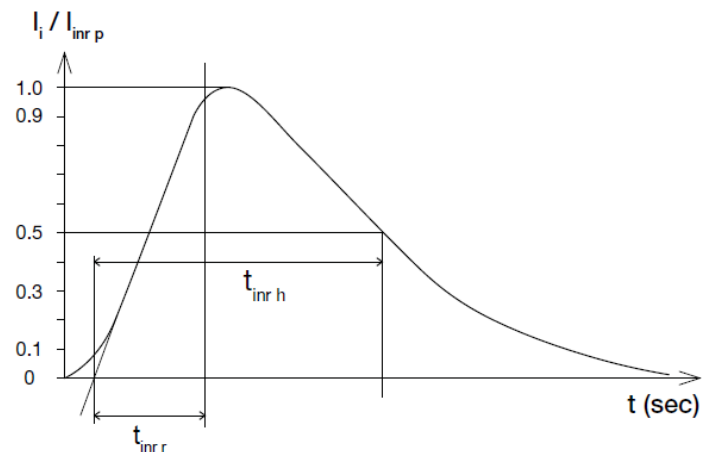
The time required for the output voltage to change from 10% to 90% of its final steady state set value.

Hold-up Time

Time between the collapse of the AC input voltage, and the output falling to 95% of its steady state set value.

Inrush Current

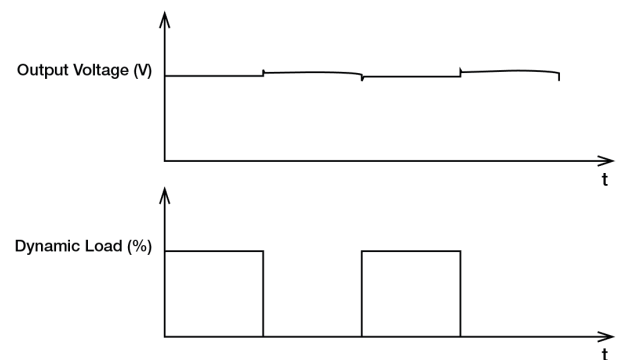
Inrush current is the peak, instantaneous, input current measured and, occurs when the input voltage is first applied. For AC input voltages, the maximum peak value of inrush current will occur during the first half cycle of the applied AC voltage. This peak value decreases exponentially during subsequent cycles of AC voltage.



Dynamic Response

The power supply output voltage will remain within $\pm 5\%$ of its steady state value, when subjected to a dynamic load from 0% to 100% of its rated current.

- 50% duty cycle / 5Hz to 1KHz

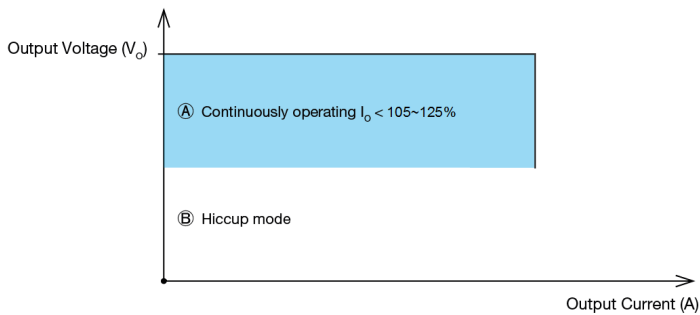


Sync DIN Rail Power Supply

5V 50W Series / DRS-5V50W1A□ / DRS-5V50W1N□

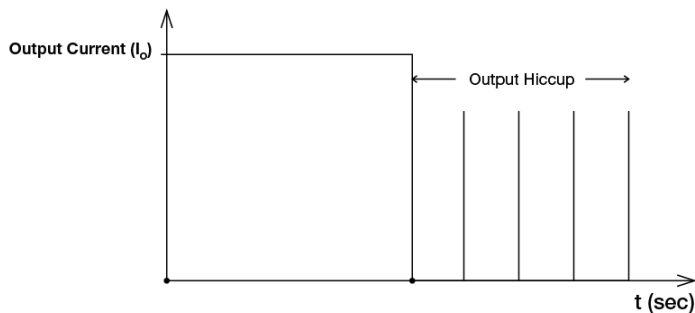
Overload & Overcurrent Protections (Auto-Recovery)

The power supply's Overload (OLP) and Overcurrent (OCP) Protections will be activated when output current is about 6.0A typ. for DRS-5V50W1N□ and 6.7A typ. for DRS-5V50W1A□. When this occurs, the V_O will start to droop (refer to A below). Once the output voltage is below about 1.4Vdc typ., the power supply will start to operate in "Hiccup mode" (Auto-Recovery mode). The power supply will recover once the fault condition of the OCP is removed and output current is back within the specifications.



Short Circuit Protection (Auto-Recovery)

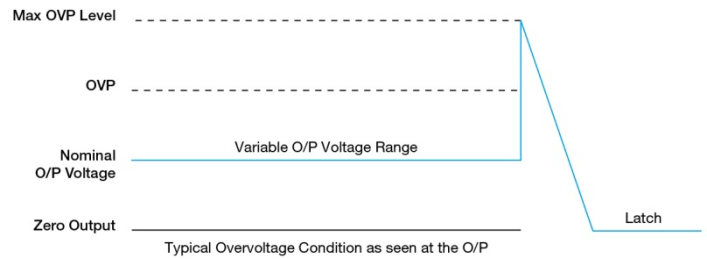
The power supply's output Short Circuit Protection function also provides protection against short circuits. When a short circuit is applied, the output current will operate in "Hiccup mode". The power supply will return to normal operation after the short circuit is removed.



Overvoltage Protection (Latch Mode)

The power supply's overvoltage circuit will be activated when its internal feedback circuit fails. The output voltage shall not exceed its specifications defined on Page 3 under "Protections". Power supply will latch off, and require removal/re-application of input AC voltage in order to restart.

The power supply should be latch.



Over Temperature Protection (Latch Mode)

As described in load de-rating section, the power supply also has Over Temperature Protection (OTP). In the event of a higher operating temperature at 100% load; or, when the operating temperature is beyond what is recommended in the de-rating graph, the OTP circuit will be activated. When activated, power supply will latch off, until the surrounding air temperature drops to its normal operating temperature or the load is reduced as recommended in the de-rating graph. Removal/re-application of input AC voltage will then be required in order to restart.

External Input Protection Device

The unit is protected with internal fuse (not replaceable) at L pin and it has been tested and approved on 20A (UL) and 16A (IEC) branch circuits without additional protection device. An external protection device is only required if the supplying branch has an ampacity greater than above. Thus, if an external protective device is necessary, or, utilized, a minimum value of 20A B- or 10A C-characteristic breaker should be used.

Sync DIN Rail Power Supply

5V 50W Series / DRS-5V50W1A□ / DRS-5V50W1N□

Delta RoHS Compliant



Restriction of the usage of hazardous substances

The European directive 2011/65/EU limits the maximum impurity level of homogeneous materials such as lead, mercury, cadmium, chrome, polybrominated flame retardants PBB and PBDE for the use in electrical and electronic equipment. RoHS is the abbreviation for "Restriction of the use of certain hazardous substances in electrical and electronic equipment".

This product conforms to this standard.

Attention

Delta provides all information in the datasheets on an "AS IS" basis and does not offer any kind of warranty through the information for using the product. In the event of any discrepancy between the information in the catalog and datasheets, the datasheets shall prevail (please refer to www.DeltaPSU.com for the latest datasheets information). Delta shall have no liability of indemnification for any claim or action arising from any error for the provided information in the datasheets. Customer shall take its responsibility for evaluation of using the product before placing an order with Delta.

Delta reserves the right to make changes to the information described in the datasheets without notice.

Mouser Electronics

Authorized Distributor

Click to View Pricing, Inventory, Delivery & Lifecycle Information:

[Delta Electronics:](#)

[DRS-5V50W1AZ](#) [DRS-5V50W1AR](#) [DRS-5V50W1NR](#) [DRS-5V50W1NZ](#)