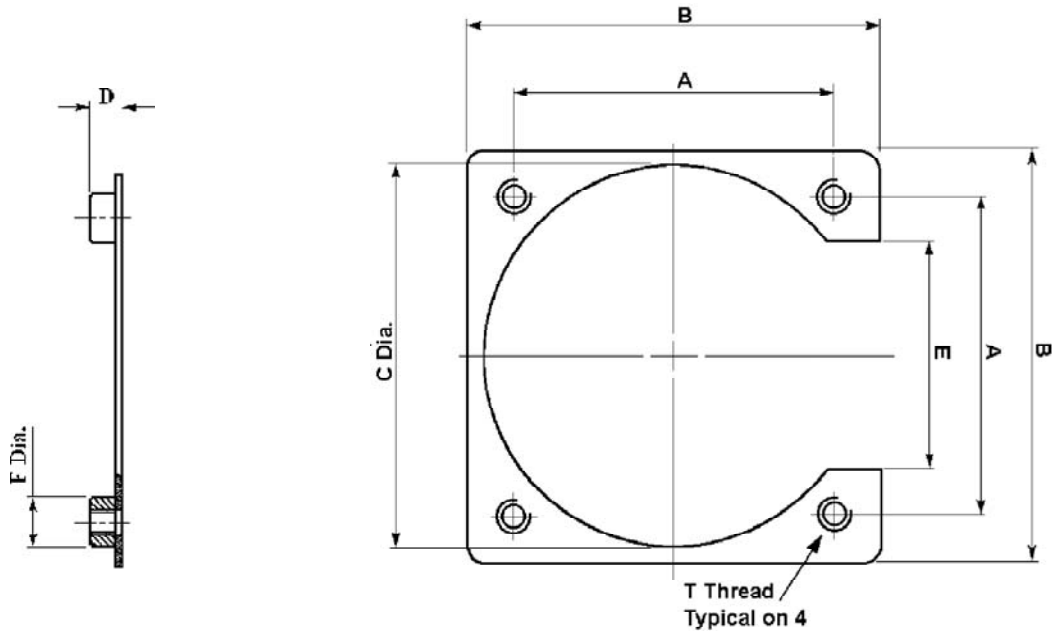




## ABCIRP Electrical Connectors

### Connector Fixing Plates



Shell Size	A	B Max	C Dia. Max	D	E Max	F Dia. Max	T Thread	Part Number	T Thread	Part Number
18	26,97	34,62	30,48	2,69/4,22	20,21	6,00	M3 x 0,5	ABB18NP	4 - 40 UNC	ABB18NPA
20	29,36	38,48	33,53	2,69/4,22	22,47	6,00	M3 x 0,5	ABB20NP	4 - 40 UNC	ABB20NPA
22	31,75	40,84	36,65	2,69/4,22	23,54	6,00	M3 x 0,5	ABB22NP	4 - 40 UNC	ABB22NPA
24	34,93	44,83	40,00	2,69/4,22	25,90	7,50	M3 x 0,5	ABB24NP	4 - 40 UNC	ABB24NPA
28	39,67	51,18	46,61	2,69/4,22	29,08	7,50	M3 x 0,5	ABB28NP	4 - 40 UNC	ABB28NPA
32	44,45	59,10	52,75	3,50/5,00	30,68	8,00	M4 x 0,7	ABB32NP	8 - 32 UNC	ABB32NPA
36	49,23	63,86	59,10	3,50/5,00	35,43	8,00	M4 x 0,7	ABB36NP	8 - 32 UNC	ABB36NPA
40	55,58	74,68	68,33	3,50/5,00	38,60	8,00	M4 x 0,7	ABB40NP	8 - 32 UNC	ABB40NPA

# Mouser Electronics

Authorized Distributor

Click to View Pricing, Inventory, Delivery & Lifecycle Information:

[TT Electronics:](#)

[ABB22NPA](#)