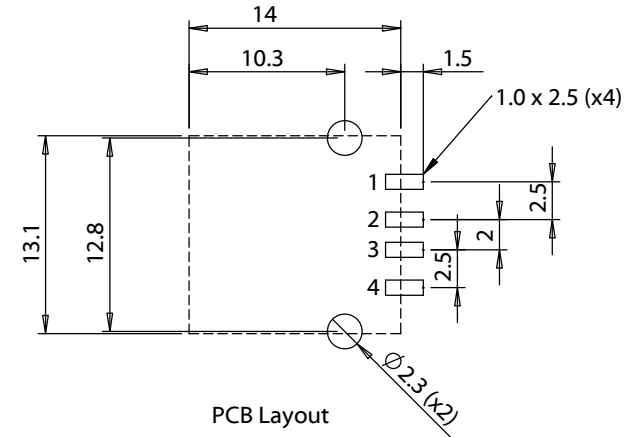
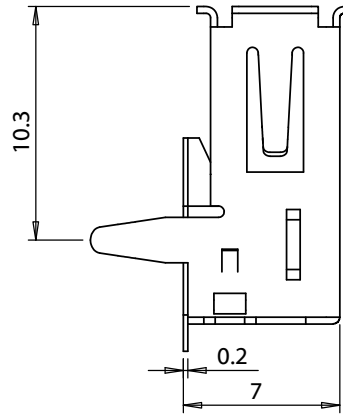
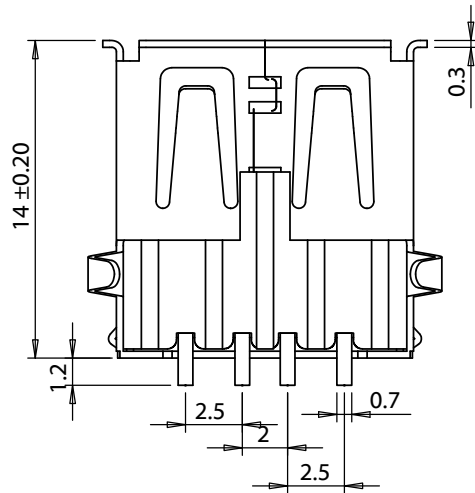
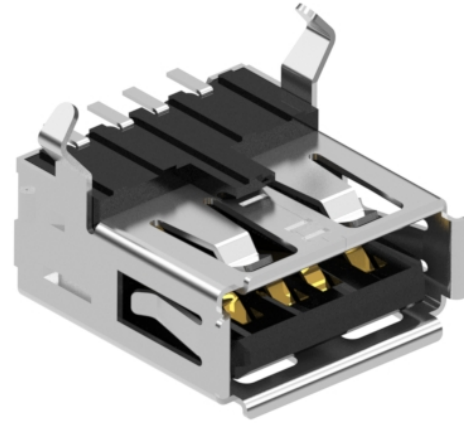
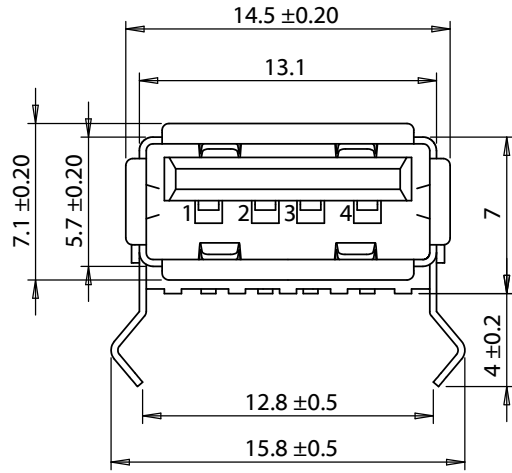


USB A jack 90° SMT mount



Revision:	Date:	Description:	Prepared:	Notes:	<h1>TENSILITY</h1> <p>tel 1.541.323.3228 800 877.670.7118 fax 1.541.323.4202 web tensility.com</p>
A	09/28/2015	Initial release	Verified:	RoHS and REACH compliant	
A1	07/24/2018	Corrected operating temp range	Dimensions are in millimeters. Tolerances: X: ± 0.5 mm X.X: ± 0.3 mm X.XX: ± 0.05 mm	Function test: no open, no short circuit, no intermittent	Size: A
A2	9/4/2018	Changed insulator material		Description:	Connector, USB A jack, SMT mount, 90°, nickel shell, board lock, black insulator, tray
					Scale: 2:1

