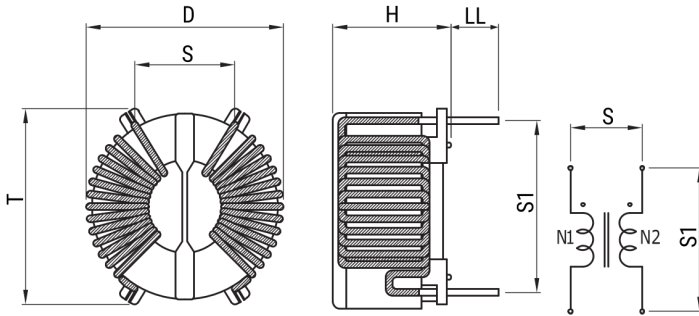


SC-06-E70JKH

Aliases (UALSC06E70JKH0)

KEMET, SC_JKH, AC Line Filters, Common Mode, 7 mH



Click [here](#) for the 3D model.

Dimensions

D	34mm MAX
T	34mm MAX
H	27mm MAX
LL	3.5mm +/-1mm
S	11mm NOM
S1	28mm NOM
Wire Size	1.1mm

Packaging Specifications

Packaging	Tray
Packaging Quantity	150
Component Weight	50 g

General Information

Series	SC_JKH
Style	Through-Hole
RoHS	Yes
Notes	Lead Spacing (S/S1) Are For Reference Only.
Miscellaneous	Temperature Rise Maximum: 65 K.
Core	Mn-Zn Ferrite

Specifications

Voltage AC	250 VAC
Inductance	7 mH
Current	6 A
Temperature Range	-25/+120°C
DC Resistance	4.5 mOhms