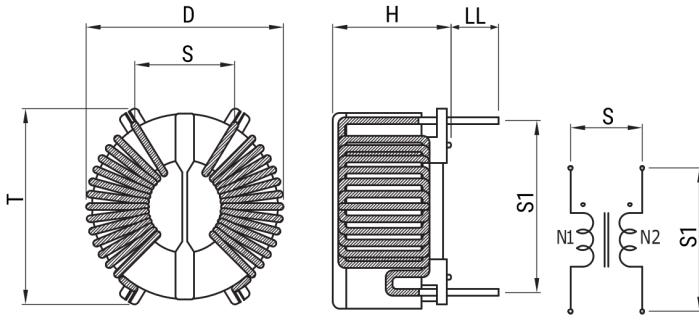


SC-05-E75JKH

Aliases (UALSC05E75JKH0)

KEMET, SC_JKH, AC Line Filters, Common Mode, 8.1mH



Click [here](#) for the 3D model.

Dimensions

D	32mm MAX
T	34mm MAX
H	18mm MAX
LL	3.5mm +/-1mm
S	11mm NOM
S1	28mm NOM
Wire Size	0.8mm

Packaging Specifications

Packaging	Tray
Packaging Quantity	180
Component Weight	27.2 g

General Information

Series	SC_JKH
Style	Through-Hole
RoHS	Yes
Notes	Lead Spacing (S/S1) Are For Reference Only.
Miscellaneous	Temperature Rise Maximum: 80 K.
Core	Mn-Zn Ferrite

Specifications

Voltage AC	250 VAC
Inductance	8.1mH
Current	5 A
Temperature Range	-25/+120°C
DC Resistance	72.45 mOhms