

Principle Applications

For continuous transfer/recirculation of aggressive chemicals, chilled water, pure or precious liquids, in photographic, reprographic, X-Ray and industrial processing equipment, particularly where space is limited.

Wetted Materials

Standard EPDM 'O' ring, optional Nitrile or Viton®
PP encapsulated magnet
Alumina ceramic spindle
PP/PPS housing

Features

Manufactured in chemical resistant thermoplastics - entirely non-metallic
Magnetic couplings provide an energy efficient thermal shield, minimizing heat transfer to pumped fluids.
Leak free continuous operation
Drip-proof IP22 motor housing
Zero maintenance

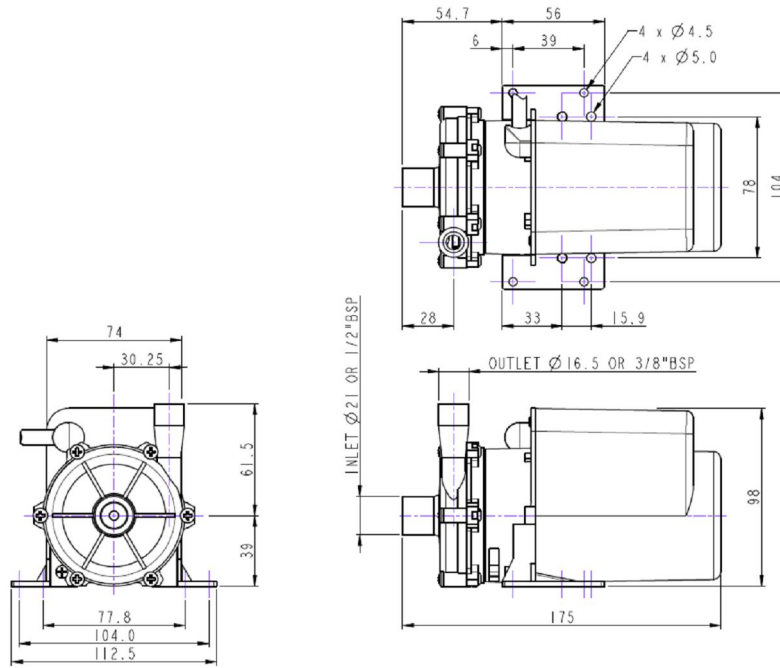
Options

NDP25/4	Port Details	NDP25/4	Port Details
230V 1ph 50/60 Hz	Plain 21 mm inlet, 16.5 mm outlet	110V 1ph 50 Hz	Plain 21 mm inlet, 16.5 mm outlet
230V 1ph 50/60 Hz	½" BSP M inlet, ⅜" BSP M outlet	110V 1ph 50 Hz	½" BSP M inlet, ⅜" BSP M outlet

Installation

Drawings not to scale
 Dimensions in millimetres

NDP25/4

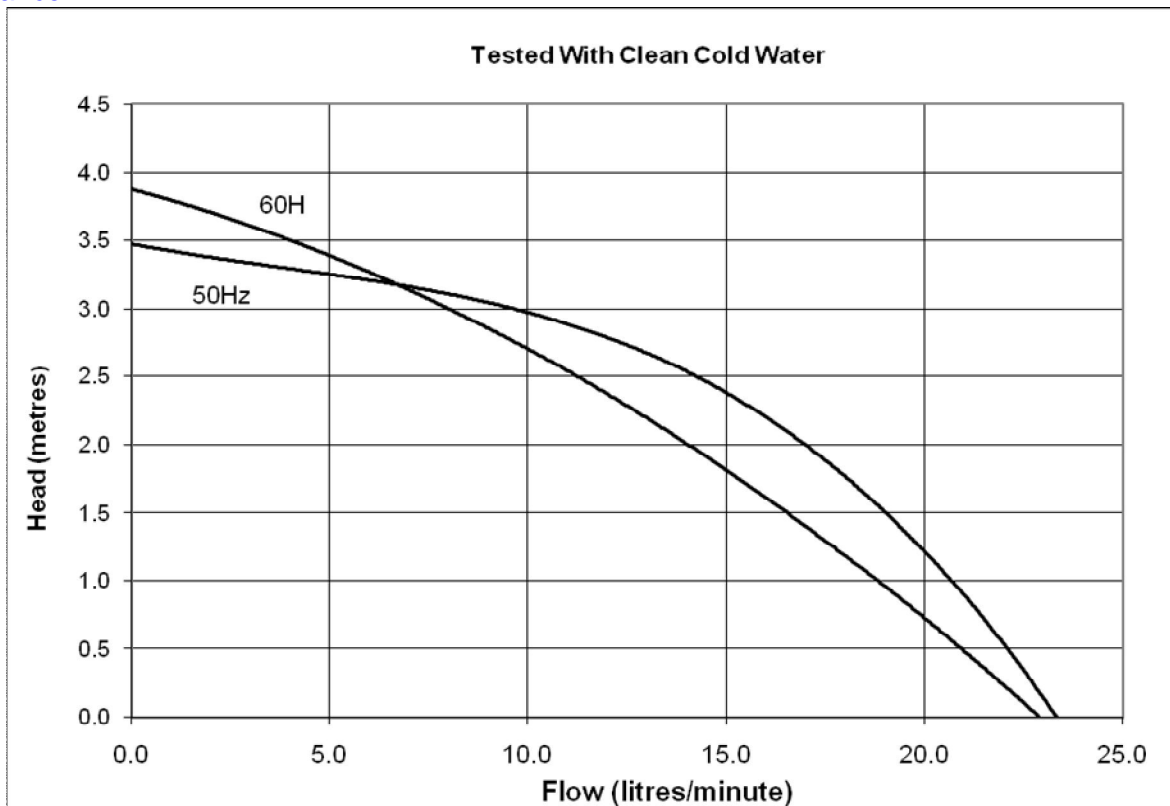


Specification

Model	Overall height (mm)	Overall length (mm)	Overall width (mm)	Weight (kg)	Max body pressure (bar)	Run-out flow rate (l/min)	Closed valve head (m)	Temp range (degC)	*Max specific gravity	Motor output (watts)
NDP25/4	101	185	112.5	2.1	1.4	50 Hz 22.5	3.5	-20 to +85	1.0	18
						60 Hz 23	3.8			

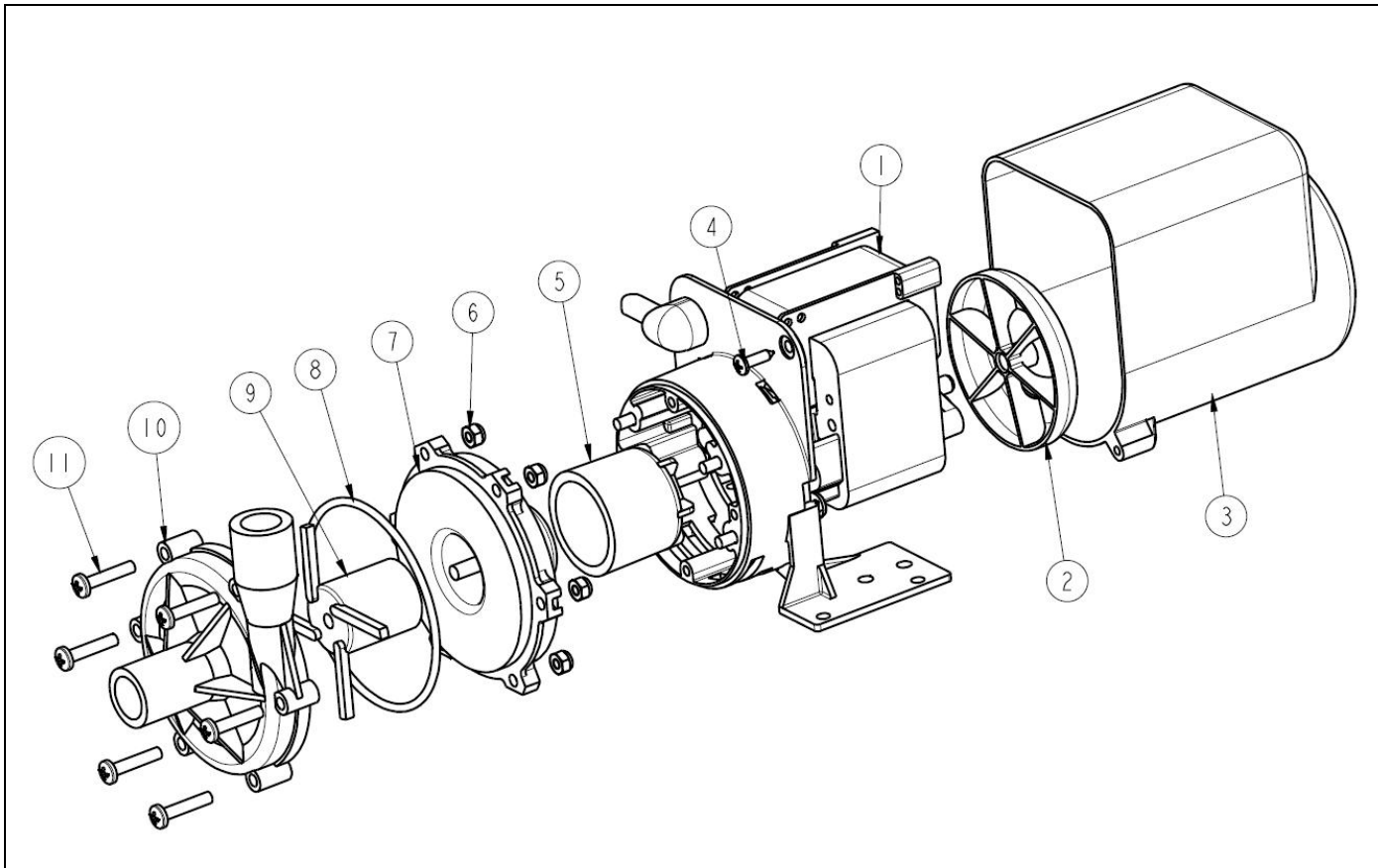
*Assuming maximum viscosity of 30cp. Refer to Totton Pumps for higher viscosities and specific gravities

Performance



Note: These magnetically coupled pumps are designed for use with clean fluids. Solids will cause jamming. Abrasives will reduce pump life and invalidate warranty. NDP pumps are not self priming and are not designed to run dry. The company reserves the right change specifications.

Part List



Item Number	Description	Quantity	Part Number		
1	Motor	1	-		
2	Fan	1	033322		
3	Motor Cover	1	043335		
4	Screw	2	001739		
5	Drive Magnet	1	023267		
6	Nut	6	001564		
7	Spindle Housing	1	033277		
8	O-ring	1	013290 (EPDM)	021056 (Viton)	003398 (Nitrile)
9	Impeller	1	023220 (50 Hz)		023247 (60 Hz)
10	Pump Body	1	013385 (plain)		023261 (threaded)
11	Screw	6	001626		

Totton Pumps Ltd.
 Tel: +44 (0) 23 8066 6685
 Fax: +44 (0) 23 8066 6880
 Email: info@totton-pumps.com
 Web: www.totton-pumps.co.uk