

DESCRIPTION

The MP1924 is a high-frequency, 100V, half-bridge, N-channel, power MOSFET driver. Its low-side and high-side driver channels are independently controlled and matched with less than 5ns in time delay. Under-voltage lockout on both high-side and low-side supplies force their outputs low in case of insufficient supply. The integrated bootstrap diode reduces external component count.

FEATURES

- Drives an N-Channel MOSFET Half Bridge
- 118V V_{BST} Voltage Range
- On-Chip Bootstrap Diode
- Typical Propagation Delay of 20ns
- Gate Drive Matching of Less than 5ns
- Drives a 2.2nF Load with 15ns Rise Time and 12ns Fall Time at 12V VDD
- TTL-Compatible Input
- Quiescent Current of Less than 150 μ A
- UVLO for Both High Side and Low Side
- QFN-10 (4mmx4mm) and SOIC-8 Packages

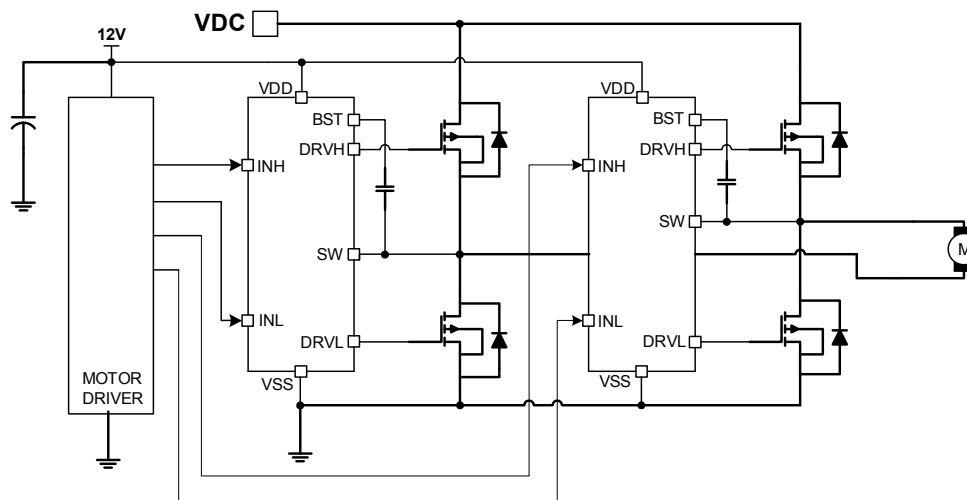
APPLICATIONS

- Motor Drivers
- Telecom Half-Bridge Power Supplies
- Avionics DC-DC Converters
- Two-Switch Forward Converters
- Active-Clamp Forward Converters

All MPS parts are lead-free, halogen free, and adhere to the RoHS directive. For MPS green status, please visit MPS website under Quality Assurance.

"MPS" and "The Future of Analog IC Technology" are Registered Trademarks of Monolithic Power Systems, Inc.

TYPICAL APPLICATION



ORDERING INFORMATION

Part Number	Package	Top Marking
MP1924HR*	QFN-10 (4x4mm)	See Below
MP1924HS**	SOIC-8	See Below

* For Tape & Reel, add suffix -Z (e.g. MP1924HR-Z)
 For RoHS compliant packaging, add suffix -LF (e.g. MP1924HR-LF-Z)
 ** For Tape & Reel, add suffix -Z (e.g. MP1924HS-Z)
 For RoHS compliant packaging, add suffix -LF (e.g. MP1924HS-LF-Z)

TOP MARKING (MP1924HR)

MPSYWW

MP1924

LLLLLL

MPS: MPS prefix;
 Y: year code;
 WW: week code;
 MP1924: product code of MP1924HR;
 LLLLLL: lot number;

TOP MARKING (MP1924HS)

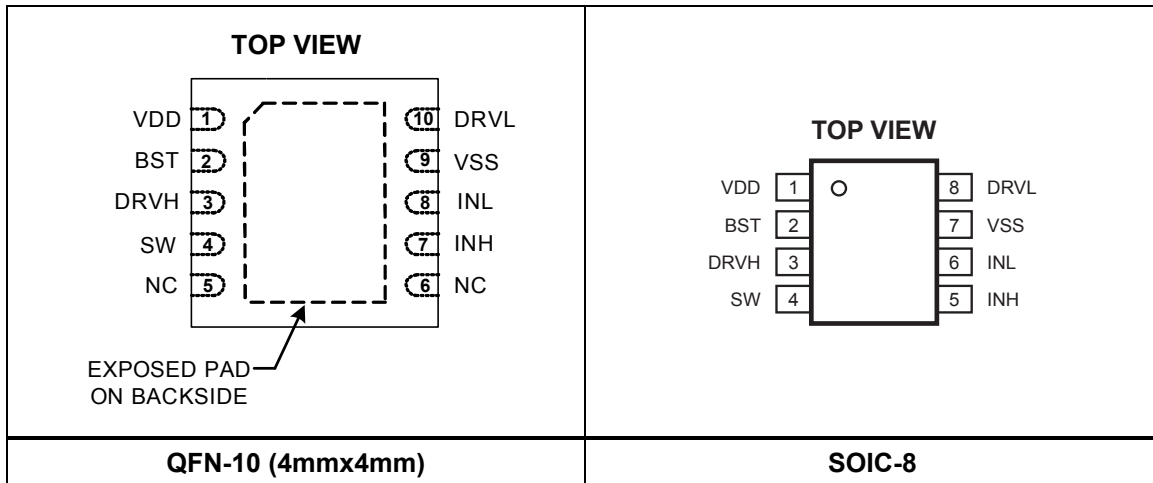
MP1924

LLLLLLLLL

MPSYWW

MP1924: product code of MP1924HS;
 LLLLLLLL: lot number;
 MPS: MPS prefix;
 Y: year code;
 WW: week code;

PACKAGE REFERENCE



Absolute Maximum Ratings ⁽¹⁾

Supply Voltage (V_{DD}).....	-0.3V to 18V
SW Voltage (V_{SW}).....	-5.0V to 105V
BST Voltage (V_{BST}).....	-0.3V to 118V
BST to SW.....	-0.3V to 18V
DRVH to SW.....	-0.3V to (BST-SW) + 0.3V
DRVL to VSS.....	-0.3V to ($V_{DD} + 0.3V$)
All Other Pins.....	-0.3V to ($V_{DD} + 0.3V$)
Continuous Power Dissipation ($T_A = 25^\circ\text{C}$) ⁽²⁾	
QFN-10 (4mmx4mm).....	2.66W
SOIC-8.....	1.3W
Junction Temperature.....	150°C
Lead Temperature.....	260°C
Storage Temperature.....	-65°C to 150°C

Recommended Operating Conditions ⁽³⁾

Supply Voltage V_{DD}	9.0V to 16.0V
SW Voltage (V_{SW}).....	-1.0V to 100V
SW Slew Rate.....	<50V/ns
Operating Junction Temp. (T_J)...	-40°C to 125°C

Thermal Resistance ⁽⁴⁾	θ_{JA}	θ_{JC}
QFN-10 (4mmx4mm)	47	7.... °C/W
SOIC-8.....	96	45... °C/W

Notes:

- 1) Exceeding these ratings may damage the device.
- 2) The maximum allowable power dissipation is a function of the maximum junction temperature $T_J(\text{MAX})$, the junction-to-ambient thermal resistance θ_{JA} , and the ambient temperature T_A . The maximum allowable continuous power dissipation at any ambient temperature is calculated by $P_D(\text{MAX}) = (T_J(\text{MAX}) - T_A) / \theta_{JA}$. Exceeding the maximum allowable power dissipation will cause excessive die temperature, and the regulator will go into thermal shutdown. Internal thermal shutdown circuitry protects the device from permanent damage.
- 3) The device is not guaranteed to function outside of its operating conditions.
- 4) Measured on JESD51-7, 4-layer PCB.

ELECTRICAL CHARACTERISTICS

$V_{DD} = V_{BST} - V_{SW} = 12V$, $V_{SS} = V_{SW} = 0V$, No load at DRVH and DRVL, $T_A = +25^\circ C$, unless otherwise noted.

Parameter	Symbol	Condition	Min	Typ	Max	Units
Supply Currents						
VDD quiescent current	I_{DDQ}	INL = INH = 0		100	150	μA
VDD operating current	I_{DDO}	fsw = 500kHz		9		mA
Floating driver quiescent current	I_{BSTQ}	INL = INH = 0		60	90	μA
Floating driver operating current	I_{BSTO}	fsw = 500kHz		7.5		mA
Leakage current	I_{LK}	BST = SW = 100V		0.05	1	μA
Inputs						
INL/INH High				2	2.4	V
INL/INH Low			1	1.4		V
INL/INH internal pull-down resistance	R_{IN}			185		k Ω
Under Voltage Protection						
VDD rising threshold	V_{DDR}		8.1	8.4	8.8	V
VDD hysteresis	V_{DDH}			0.5		V
(BST-SW) rising threshold	V_{BSTR}		6.9	7.3	7.7	V
(BST-SW) hysteresis	V_{BSTH}			0.55		V
Bootstrap Diode						
Bootstrap diode VF @ 100 μA	V_{F1}			0.5		V
Bootstrap diode VF @ 100mA	V_{F2}			0.95		V
Bootstrap diode dynamic R	R_D	@ 100mA		2		Ω
Low Side Gate Driver						
Low level output voltage	V_{OLL}	$I_O = 100mA$		0.08		V
High level output voltage to rail	V_{OHL}	$I_O = -100mA$		0.23		V
Source Current ⁽⁵⁾	I_{OHL}	$V_{DRVL} = 0V, V_{DD} = 12V$		3		A
		$V_{DRVL} = 0V, V_{DD} = 16V$		4.7		A
Sink Current ⁽⁵⁾	I_{OLL}	$V_{DRVL} = V_{DD} = 12V$		4.5		A
		$V_{DRVL} = V_{DD} = 16V$		6		A
Floating Gate Driver						
Low level output voltage	V_{OLH}	$I_O = 100mA$		0.08		V
High level output voltage to rail	V_{OHH}	$I_O = -100mA$		0.23		V
Source Current ⁽⁵⁾	I_{OHH}	$V_{DRVH} = 0V, V_{DD} = 12V$		2.6		A
		$V_{DRVH} = 0V, V_{DD} = 16V$		4		A
Sink Current ⁽⁵⁾	I_{OLH}	$V_{DRVH} = V_{DD} = 12V$		4.5		A
		$V_{DRVH} = V_{DD} = 16V$		5.9		A

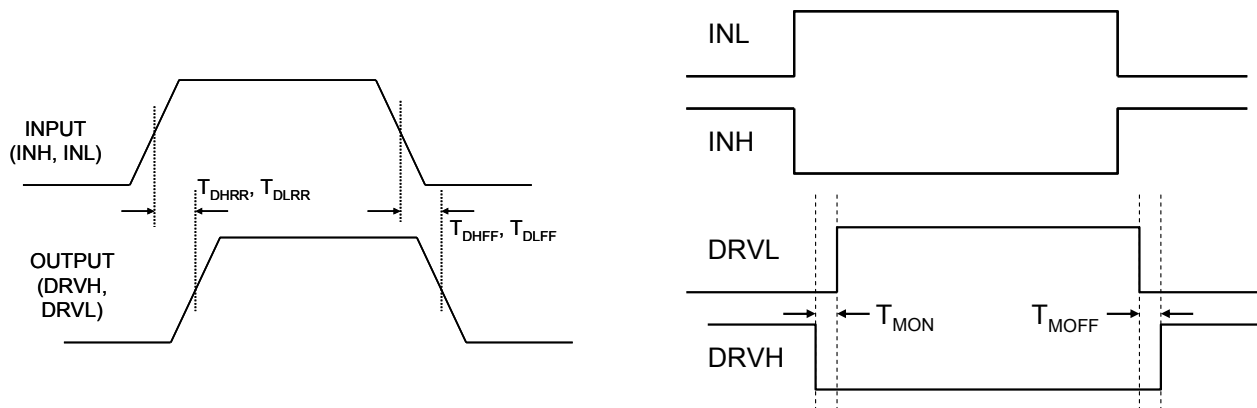
ELECTRICAL CHARACTERISTICS *(continued)*

$V_{DD} = V_{BST} - V_{SW} = 12V$, $V_{SS} = V_{SW} = 0V$, No load at DRVH and DRVL, $T_A = +25^\circ C$, unless otherwise noted.

Parameter	Symbol	Condition	Min	Typ	Max	Units
Switching Spec. --- Low Side Gate Driver						
Turn-off propagation delay INL falling to DRVL falling	T_{DLFF}			20		ns
Turn-on propagation delay INL rising to DRVL rising	T_{DLRR}			20		
DRVL rise time		$C_L = 2.2nF$		15		ns
DRVL fall time		$C_L = 2.2nF$		9		ns
Switching Spec. --- Floating Gate Driver						
Turn-off propagation delay INH falling to DRVH falling	T_{DHFF}			20		ns
Turn-on propagation delay INH rising to DRVH rising	T_{DHRR}			20		ns
DRVH rise time		$C_L = 2.2nF$		15		ns
DRVH fall time		$C_L = 2.2nF$		12		ns
Switching Spec. --- Matching						
Floating driver turn-off to low side drive turn-on ⁽⁵⁾	T_{MON}			1	5	ns
Low side driver turn-off to floating driver turn-on ⁽⁵⁾	T_{MOFF}			1	5	ns
Minimum input pulse width that changes the output ⁽⁵⁾	T_{PW}				50	ns
Bootstrap diode turn-on or turn- off time ⁽⁵⁾	T_{BS}			10		ns
Thermal shutdown				150		$^\circ C$
Thermal shutdown hysteresis				25		$^\circ C$

Note:

5) Guaranteed by design.

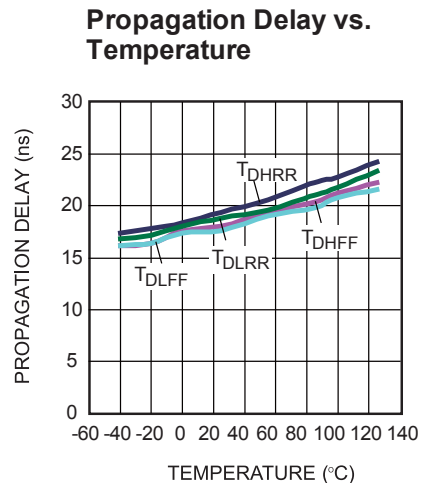
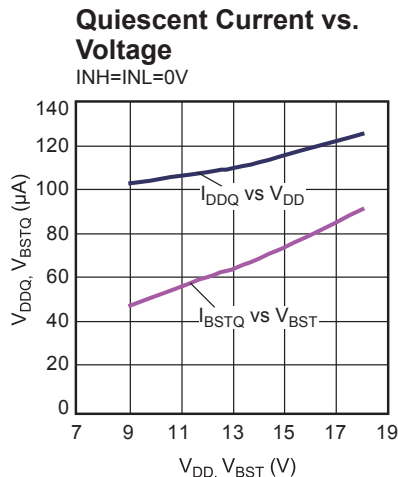
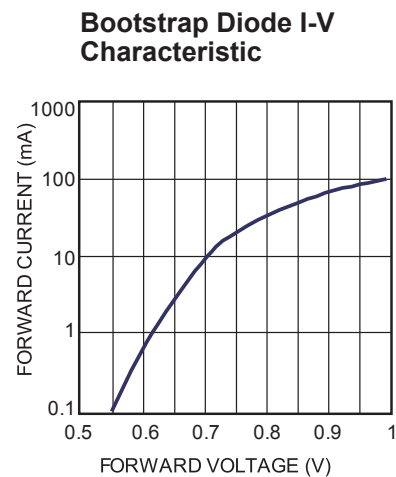
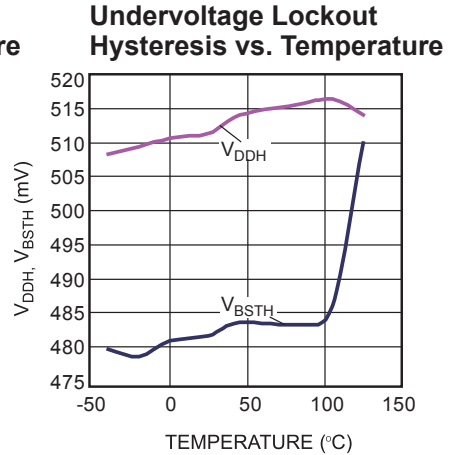
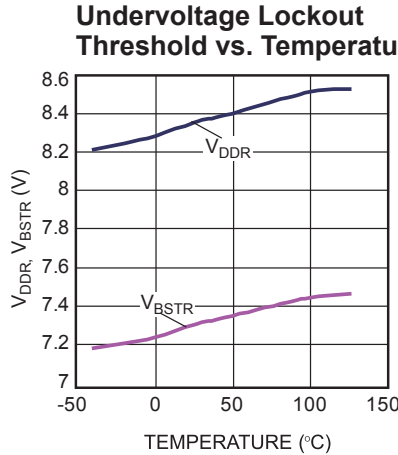
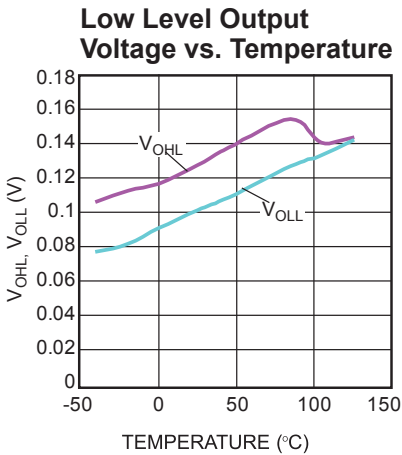
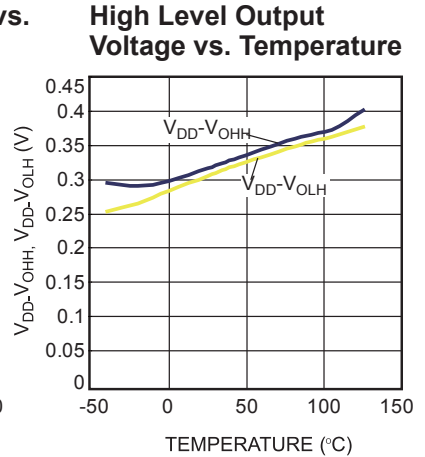
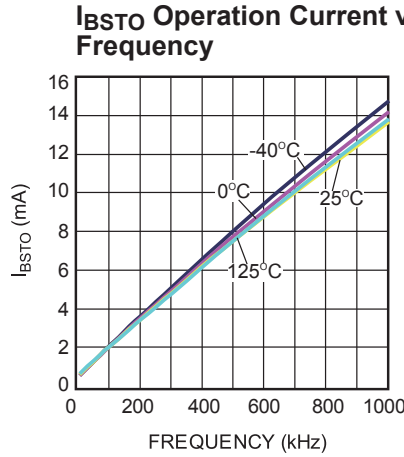
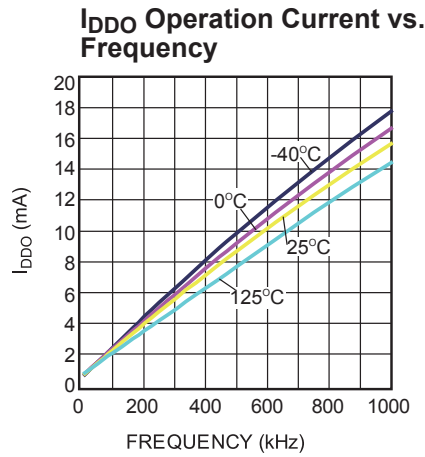

Figure 1: Timing Diagram

PIN FUNCTIONS

QFN4x4-10 Pin #	SOIC-8 Pin #	Name	Description
1	1	VDD	Supply input. This pin supplies power to all the internal circuitry. Place a decoupling capacitor to ground close to this pin to ensure stable and clean supply.
2	2	BST	Bootstrap. This is the positive power supply for the internal floating high-side MOSFET driver. Connect a bypass capacitor between this pin and SW pin.
3	3	DRVH	Floating driver output.
4	4	SW	Switching node.
5, 6		NC	No connection.
7	5	INH	Control signal input for the floating driver.
8	6	INL	Control signal input for the low side driver.
9	7	VSS, exposed pad	Chip ground. Connect exposed pad to VSS for proper thermal operation.
10	8	DRVL	Low side driver output.

TYPICAL PERFORMANCE CHARACTERISTICS

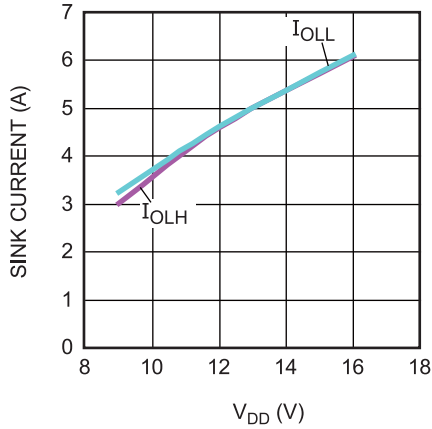
$V_{DD} = 12V$, $V_{SS} = V_{SW} = 0V$, $T_A = +25^\circ C$, unless otherwise noted.



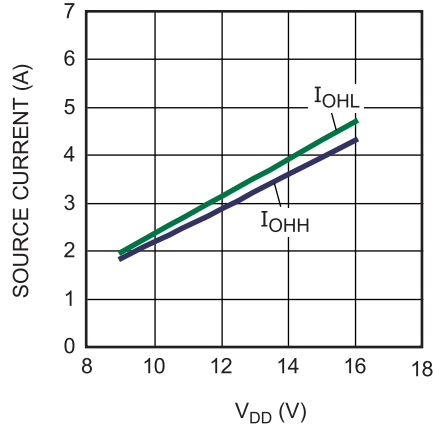
TYPICAL PERFORMANCE CHARACTERISTICS *(continued)*

$V_{DD} = 12V$, $V_{SS} = V_{SW} = 0V$, $T_A = +25^\circ C$, unless otherwise noted.

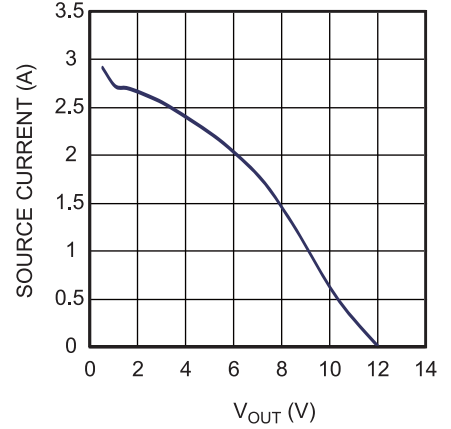
Sink Current vs. V_{DD} Voltage



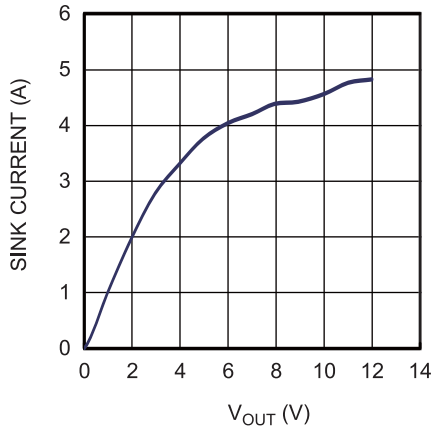
Source Current vs. V_{DD} Voltage



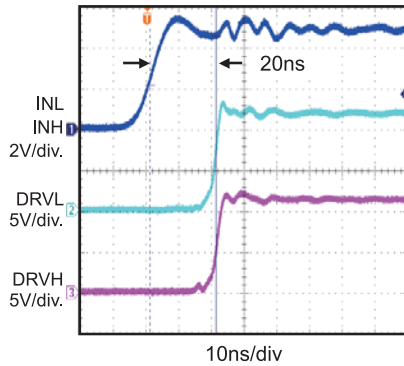
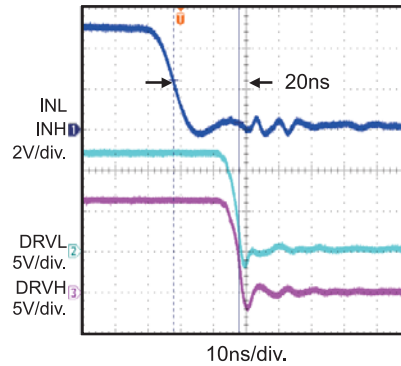
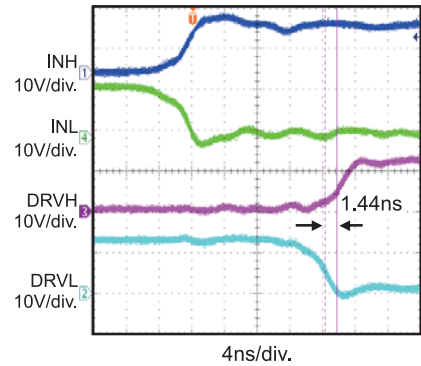
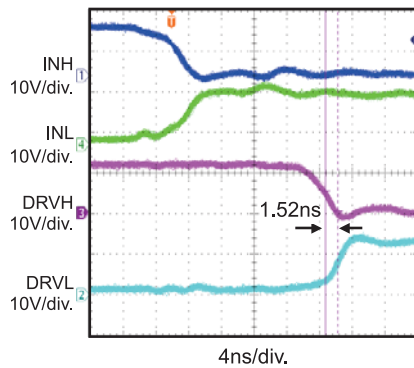
Source Current vs. Output Voltage
 $V_{DD} = 12V$



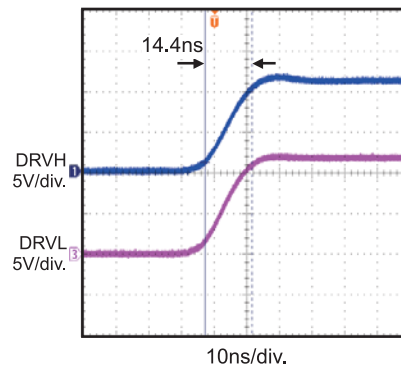
Sink Current vs. Output Voltage
 $V_{DD} = 12V$



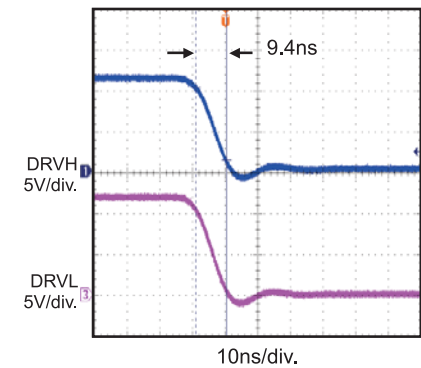
TYPICAL PERFORMANCE CHARACTERISTICS (continued)
 $V_{DD} = 12V$, $V_{SS} = V_{SW} = 0V$, $T_A = +25^\circ C$, unless otherwise noted.

Turn-on Propagation Delay

Turn-off Propagation Delay

Gate Drive Matching T_{MOFF}

Gate Drive Matching T_{MON}

Drive Rise Time

2.2nF Load


Drive Fall Time

2.2nF Load



BLOCK DIAGRAM

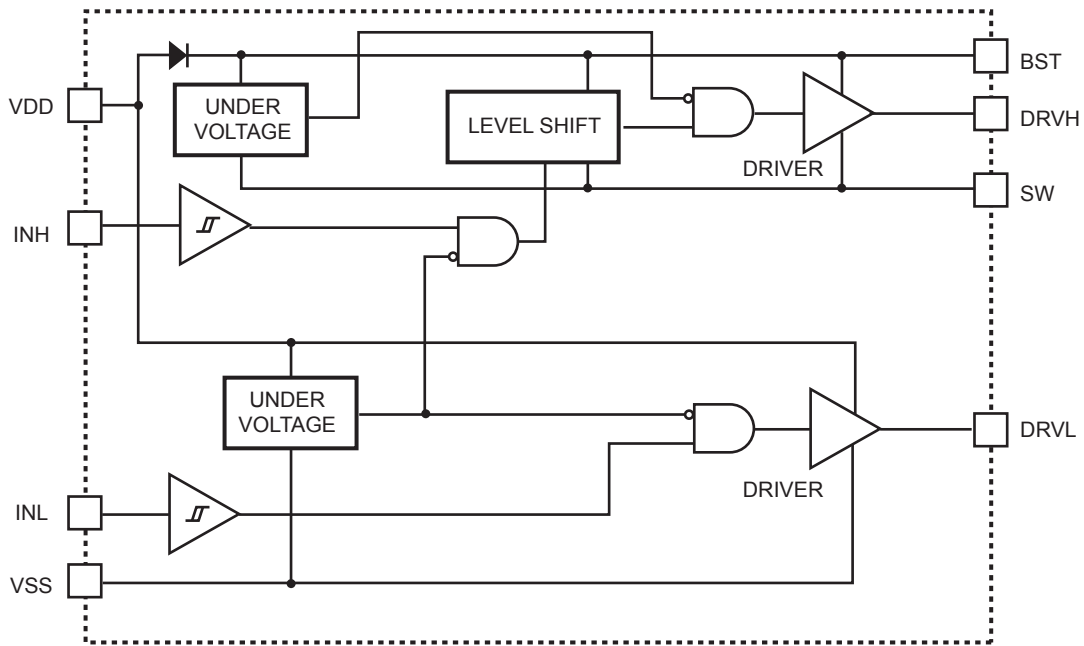


Figure 2: Function Block Diagram

APPLICATION

The input signals of INH and INL can be controlled independently. If both INH and INL control the high-side MOSFET and low-side MOSFET of the same bridge, then users must avoid shoot through by

setting sufficient dead time between INH and INL low, and vice versa. See Figure 3 below. Dead time is defined as the time interval between INH low and INL low.

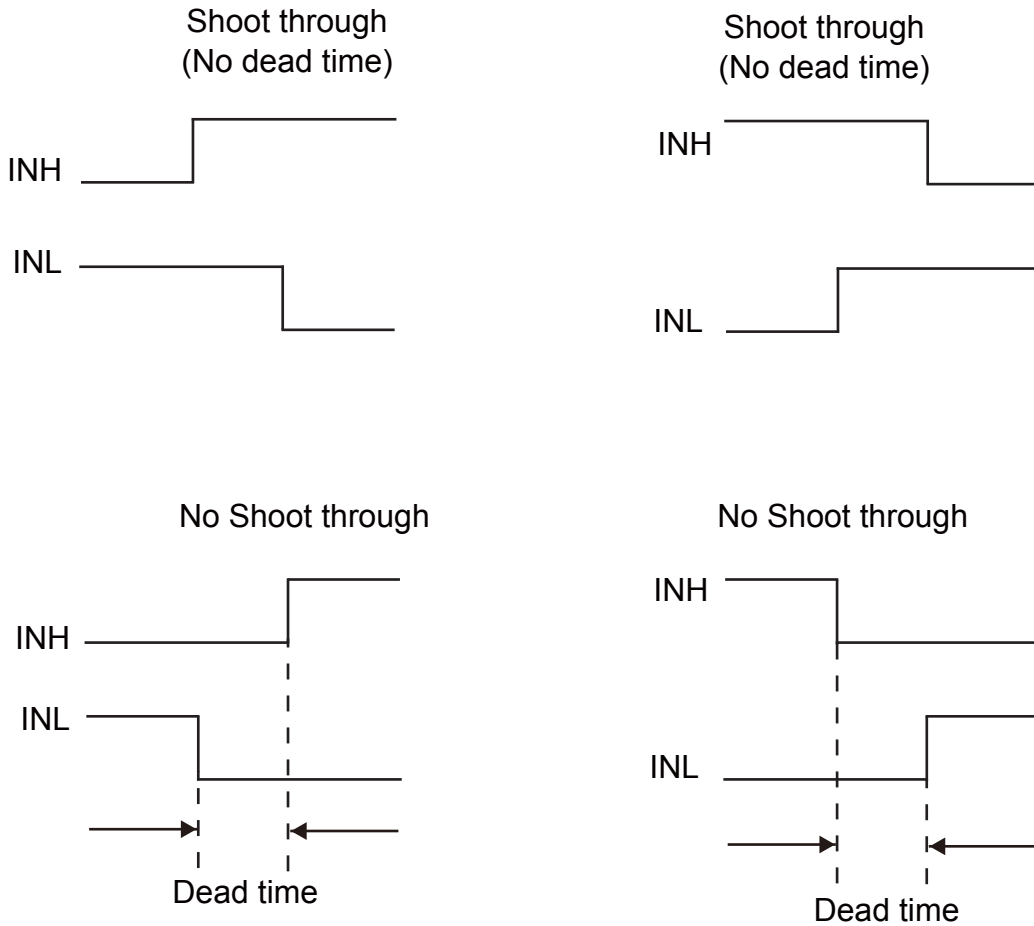


Figure 3: Shoot-Through Timing Diagram

REFERENCE DESIGN CIRCUITS

Half Bridge Converter

The MP1924 drives the MOSFETs with alternating signals (with dead time) in half-bridge converter topology. Therefore, from the PWM

controller drives INH and INL with alternating signals the input voltage can go up to 100V.

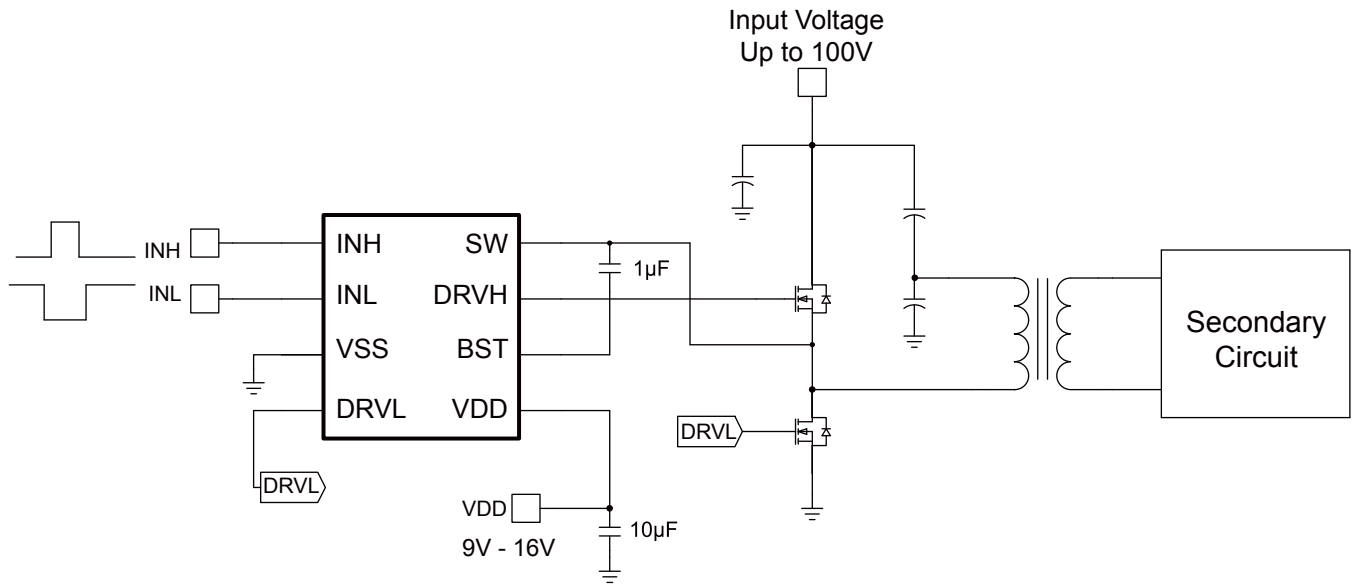


Figure 4: Half Bridge Converter

Two-Switch Forward Converter

In two-switch forward converter topology, both MOSFETs are turned on and off simultaneously. The input signal (INH and INL) comes from a PWM controller that senses the output voltage (and output current during current-mode control).

The Schottky diodes clamp the reverse swing of the power transformer and must be rated for the input voltage. The input voltage can go up to 100V.

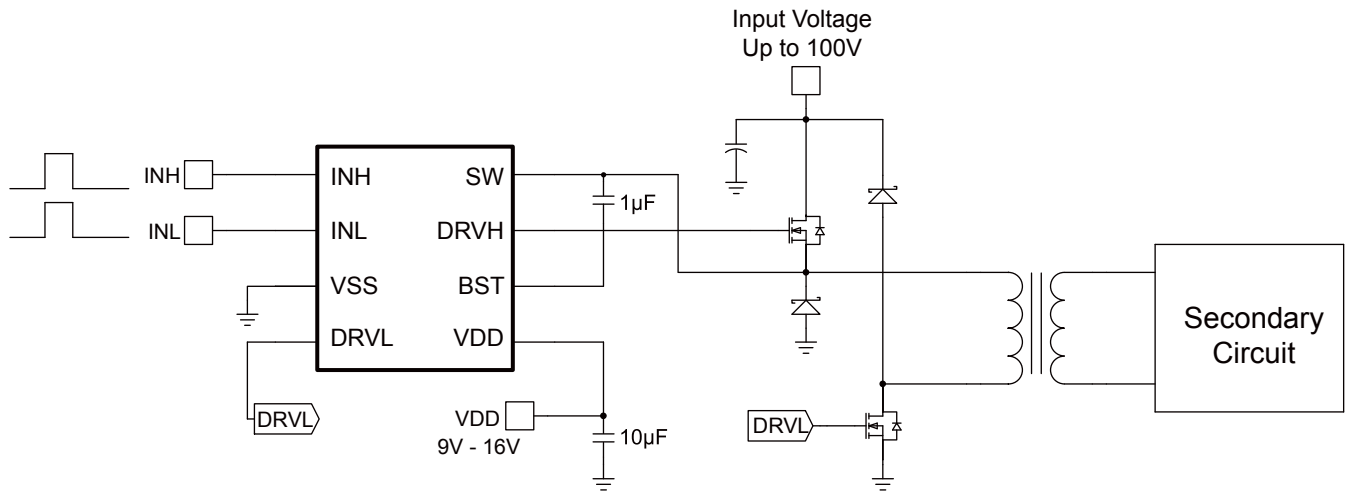


Figure 5: Two-Switch Forward Converter

Active-Clamp Forward Converter

In active-clamp forward converter topology, the MP1924 drives the MOSFETs with alternating signals. The high-side MOSFET, in conjunction with C_{reset} , is used to reset the power transformer in a lossless manner.

This topology lends itself well to run at duty cycles exceeding 50%. The device may not be able to run at 100V under this topology.

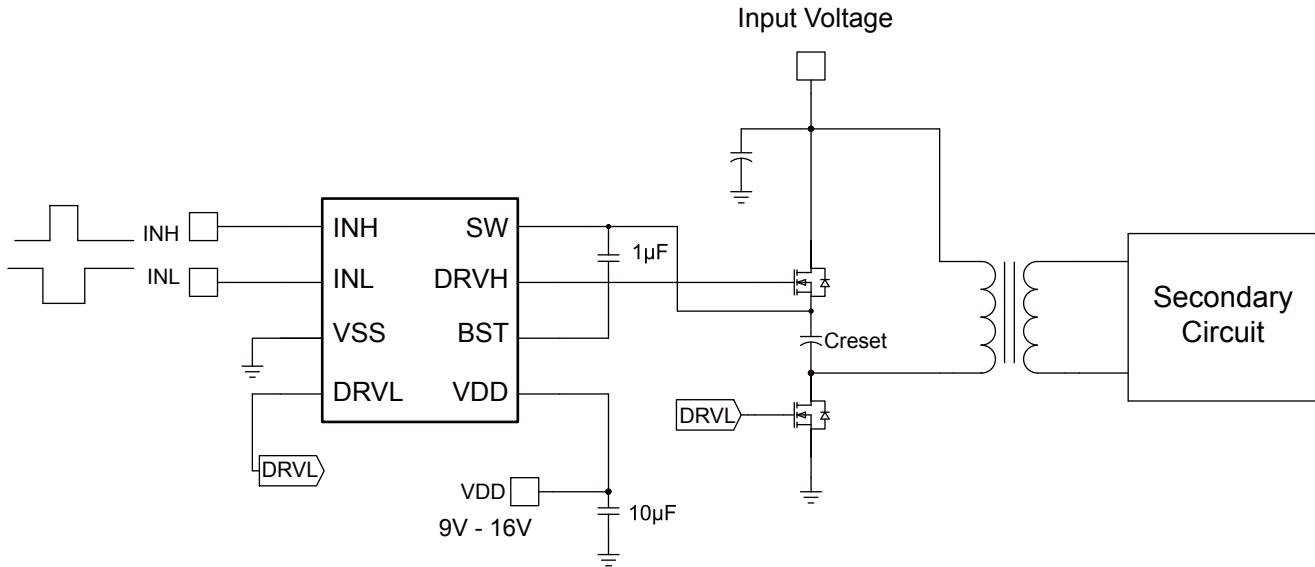
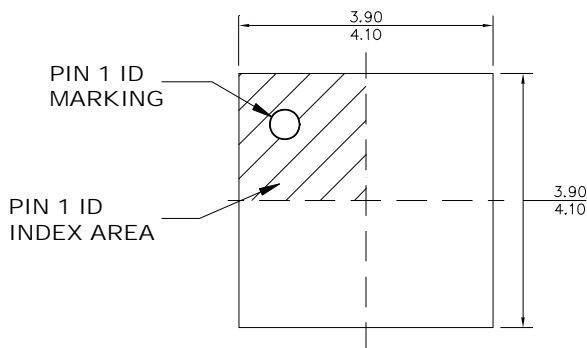


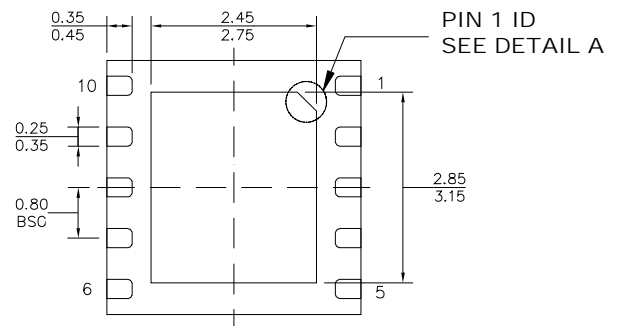
Figure 6 Active-Clamp Forward Converter

PACKAGE INFORMATION

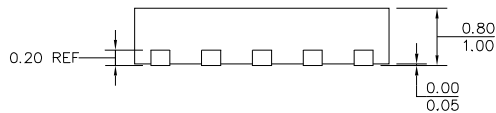
QFN-10 (4mm×4mm)



TOP VIEW

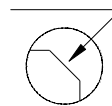


BOTTOM VIEW

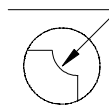


SIDE VIEW

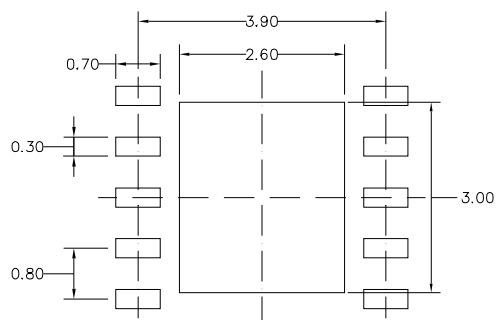
PIN 1 ID OPTION A
0.30x45° TYP.



PIN 1 ID OPTION B
R0.25 TYP.



DETAIL A

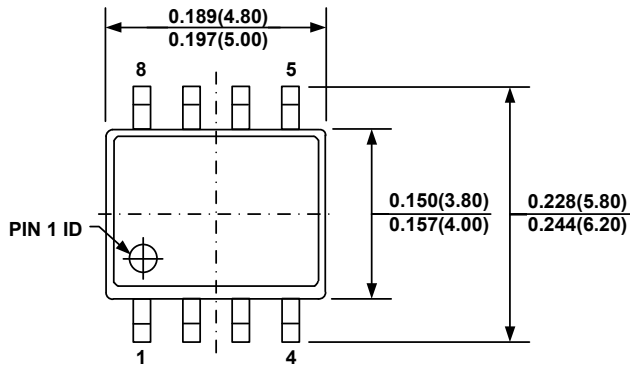


RECOMMENDED LAND PATTERN

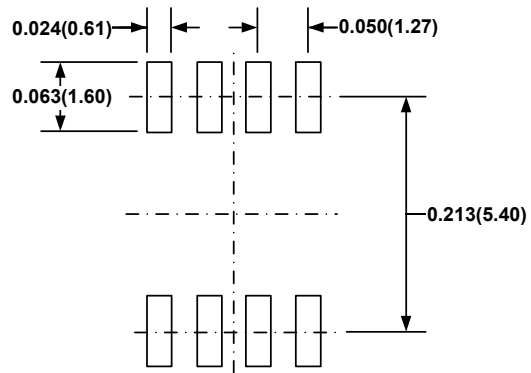
NOTE:

- 1) ALL DIMENSIONS ARE IN MILLIMETERS.
- 2) EXPOSED PADDLE SIZE DOES NOT INCLUDE MOLD FLASH.
- 3) LEAD COPLANARITY SHALL BE 0.10 MILLIMETERS MAX.
- 4) JEDEC REFERENCE IS MO-220.
- 5) DRAWING IS NOT TO SCALE.

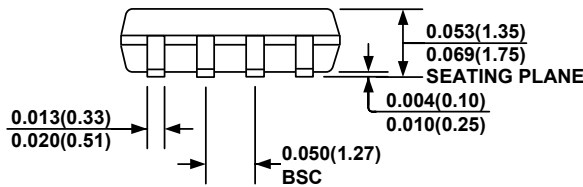
SOIC-8



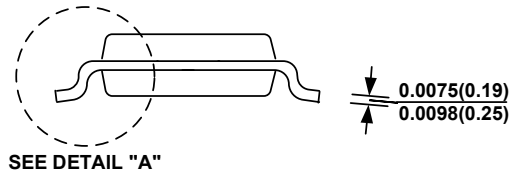
TOP VIEW



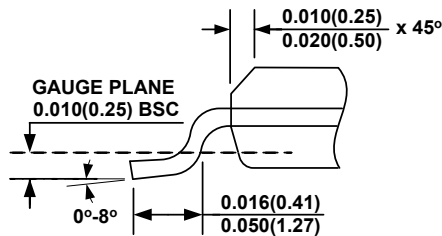
RECOMMENDED LAND PATTERN



FRONT VIEW



SIDE VIEW



DETAIL "A"

NOTE:

- 1) CONTROL DIMENSION IS IN INCHES. DIMENSION IN BRACKET IS IN MILLIMETERS.
- 2) PACKAGE LENGTH DOES NOT INCLUDE MOLD FLASH, PROTRUSIONS OR GATE BURRS.
- 3) PACKAGE WIDTH DOES NOT INCLUDE INTERLEAD FLASH OR PROTRUSIONS.
- 4) LEAD COPLANARITY (BOTTOM OF LEADS AFTER FORMING) SHALL BE 0.004" INCHES MAX.
- 5) DRAWING CONFORMS TO JEDEC MS-012, VARIATION AA.
- 6) DRAWING IS NOT TO SCALE.

NOTICE: The information in this document is subject to change without notice. Users should warrant and guarantee that third party Intellectual Property rights are not infringed upon when integrating MPS products into any application. MPS will not assume any legal responsibility for any said applications.

Mouser Electronics

Authorized Distributor

Click to View Pricing, Inventory, Delivery & Lifecycle Information:

[Monolithic Power Systems \(MPS\):](#)

[MP1924HR-LF-Z](#) [MP1924HS-LF-Z](#) [MP1924HR-LF-P](#) [MP1924HS-LF-P](#)