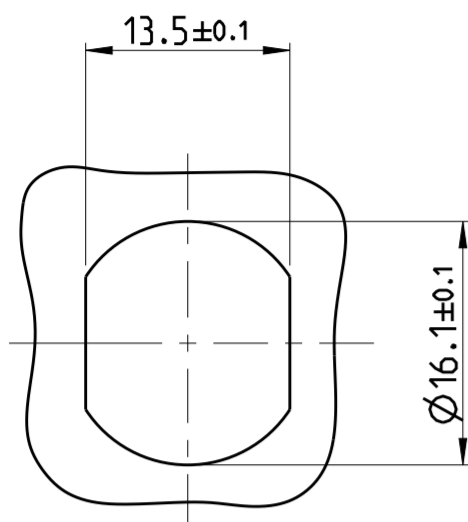


P	LTR	REVISIONS ÄNDERUNGEN DESCRIPTION BESCHREIBUNG	DATE	DWN	APVD
A1		NEW DRAWING	29APR2014	YR	CS
A2		PN 4-2271137-3 INTRODUCED	21MAY2016	TJ	NG
A3		COLOR CODE ADDED FOR PN 5-2271137-2	20JAN2017	TJ	NG
A4		3-2271137-2, 4-2271137-2 AND 4-2271137-3 DISCONTINUED	25SEP2017	TJ	NG

RECOMMENDED CUT-OUT

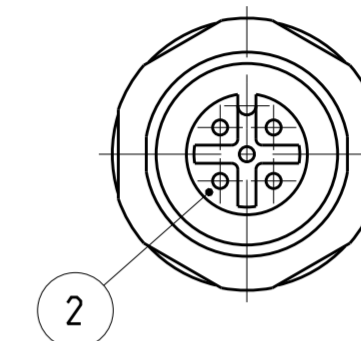
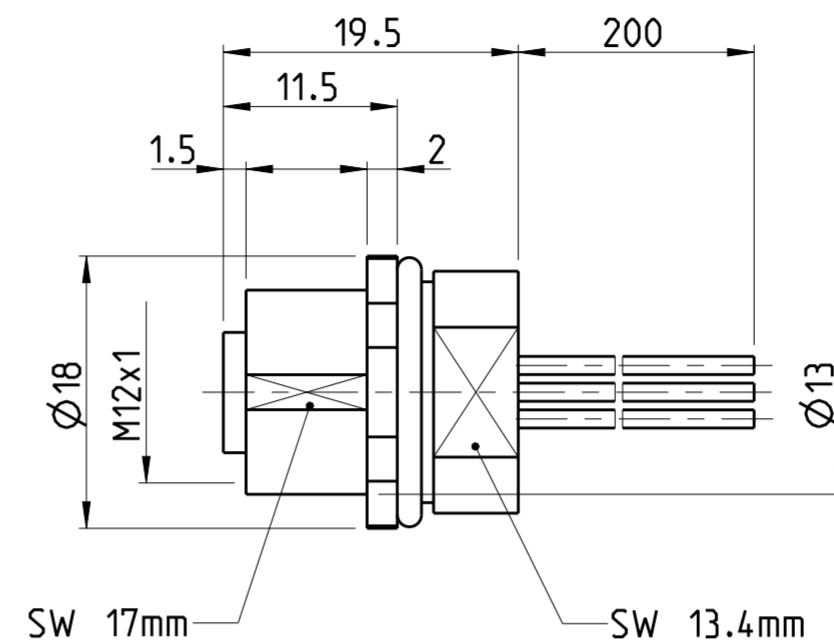


POS	WIRE COLOR
1	RED
2	GREEN
3	BLACK
4	WHITE
5	GRAY

COLOR CODE FOR PN 4-2271137-3

POS	WIRE COLOR
1	WHITE
2	BROWN
3	GREEN
4	YELLOW
5	GREY
6	PINK
7	BLUE
8	RED

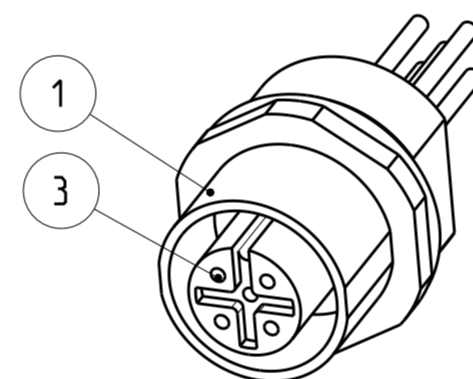
COLOR CODE FOR PN 5-2271137-2



4-2 AS SHOWN WIE GEZEICHNET

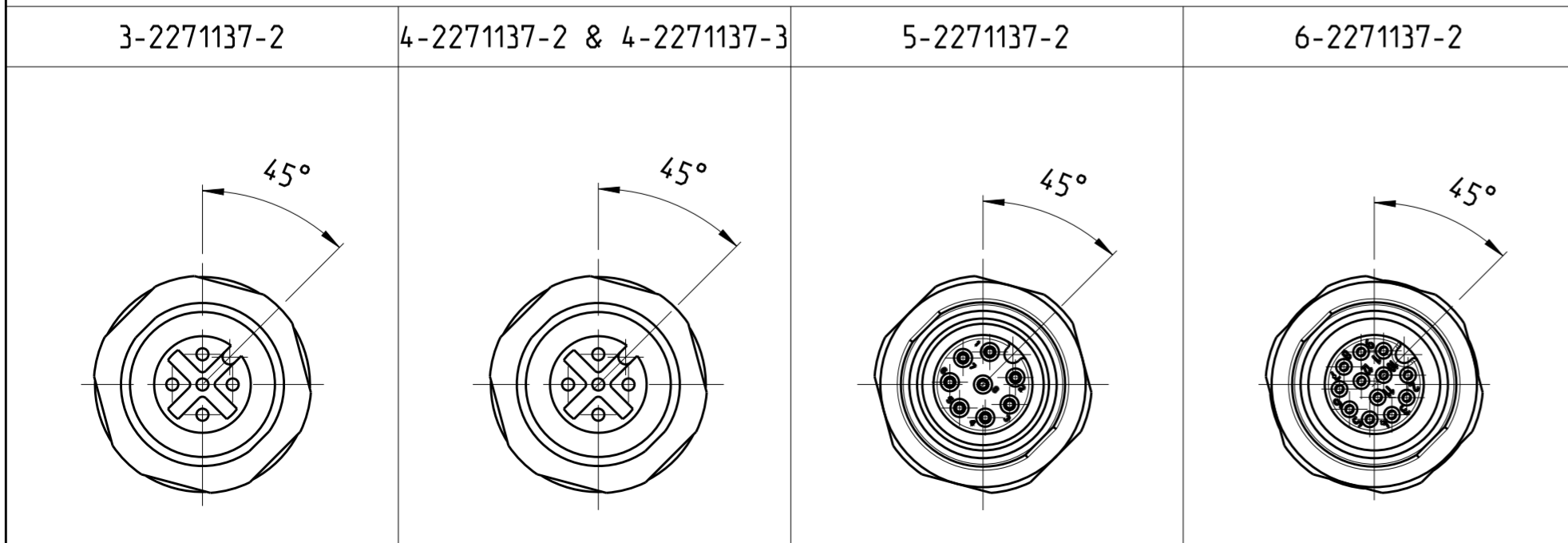
TECHNICAL DATA	3-2271137-2	4-2271137-2	4-2271137-3	5-2271137-2	6-2271137-2
RATED VOLTAGE	250V	125V	125V	60V	30V
RATED IMPULSE VOLTAGE	2500V	1500V	1500V	800V	500V
POLLUTION DEGREE	3	3	3	3	3
OVERVOLTAGE CATEGORY	II	II	II	II	II
MATERIAL GROUP	II	II	II	II	II
RATED CURRENT	4A	4A	4A	2A	2A
VOLUME RESISTIVITY	≤3mΩ	≤3mΩ	≤3mΩ	≤3mΩ	≤3mΩ
DEGREE OF PROTECTION	IP68	IP68	IP68	IP68	IP68
UPPER TEMPERATURE	+85 °C	+85 °C	+85 °C	+85 °C	+85 °C
LOWER TEMPERATURE	-40 °C	-40 °C	-40 °C	-40 °C	-40 °C

- 1 MATERIAL: ITEM NO. 1: HOUSING - STAINLESS STEEL 1.4404
- 2 ITEM NO. 1: HOUSING - ZINC DIE-CASTING, NICKEL PLATED
- 3 ITEM NO. 2: CONTACT BODY - PA  
ITEM NO. 3: CONTACT - CuSn (Bronze)  
CONTACT FINISH - Au (gold)



- 4 ALL DIMENSIONS ARE FOR NOMINAL REFERENCE ONLY UNLESS OTHERWISE STATED
- 5 MEASUREMENT REFERENCE ONLY
- 6 PACKAGING: 1 PIECE IN A BAG
- 7 PRELIMINARY
- 8 PANEL FIXING NUT PN 2823066-1 NEED TO BE ORDERED SEPERATELY

PIN ARRANGEMENT A-CODING (SCALE 2:1)



SIZE ISO 14405 (E)

26 / 0.14mm <sup>2</sup>	2 3	12	6-2271137-2
24 / 0.25mm <sup>2</sup>	2 3	8	5-2271137-2
24 / 0.25mm <sup>2</sup>	2 3	5	<del>4-2271137-3</del>
24 / 0.25mm <sup>2</sup>	2 3	5	<del>4-2271137-2</del>
24 / 0.25mm <sup>2</sup>	1 3	4	<del>3-2271137-2</del>
WIRES AWG / mm <sup>2</sup>	MATERIAL	NUMBER OF POLES	TE-PART-NO.

DIESE ZEICHNUNG IST EIN KONTROLLIERTES DOKUMENT. BEMASSUNGEN UND TOLERANZEN GEMAESS GPS (ISO STANDARDS). THIS DRAWING IS A CONTROLLED DOCUMENT. DIMENSIONING AND TOLERANCING PER GPS (ISO STANDARDS).

APVD: YASHKUMAR 29APR2014, M.STRELOW 29APR2014, C.SCHREITLINGER 29APR2014

NAME: M12 PANEL MOUNT RECEPTACLE CONNECTOR SOLDER TERMINALS, A-CODING

STE TE Connectivity

SIZE: A2, CAGE CODE: 00779, DRAWING NO: C-2271137

Customer Drawing / KUNDENZEICHNUNG, SCALE: 2:1, SHEET: 1 OF 1, REV: A4