

**SPECIFICATIONS**

RESISTANCE RANGE \_\_\_\_\_ 100 TO 100K OHMS  
 RESISTANCE TOLERANCE \_\_\_\_\_ ±5%  
 ACCURACY \_\_\_\_\_ ±0.35% OF VOLTAGE RATIO  
 REPEATABILITY \_\_\_\_\_ ±0.02% OR RESOLUTION OF POT  
 RESOLUTION \_\_\_\_\_ SEE POT SPECIFICATIONS  
 POWER RATING \_\_\_\_\_ 2 WATTS  
 OPERATING TEMPERATURE \_\_\_\_\_ -30°C TO +85°C  
 TEMPERATURE COEFFICIENT \_\_\_\_\_ ±20 PPM/°C  
 TURNS \_\_\_\_\_ 10 (000 TO 999 COUNTS)  
 TERMINALS \_\_\_\_\_ GOLD PLATED LUGS

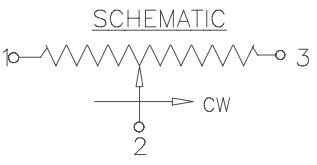
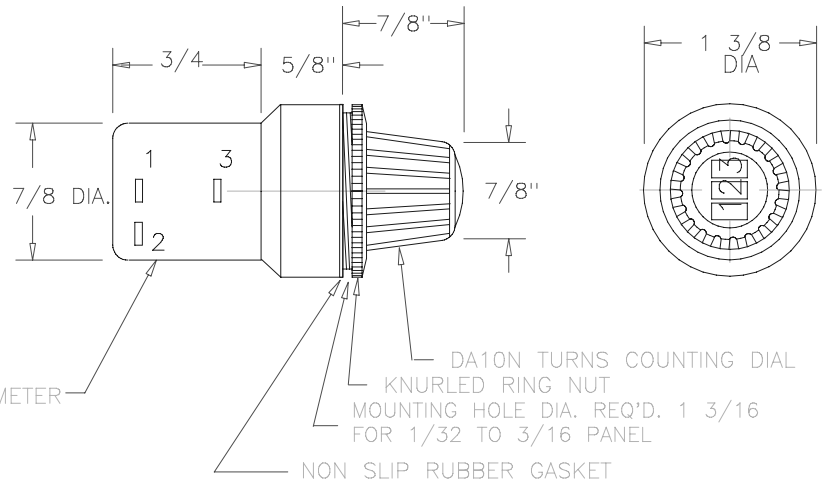
HOUSING MATERIAL \_\_\_\_\_ HIGH TEMP. BLACK PLASTIC

REV.	BY	DATE	PART NO.
A	BT	1-16-93	ADDED SPECIFICATIONS
B	AT	2-20-02	ADDED 1 TURN POTENTIOMETER

**NOTES:**

1. USE ETI SYSTEMS POTENTIOMETERS MODEL MW22B.
2. POTENTIOMETERS MAY BE 1,3,5,10 TURNS. ALSO MULTIPLE GANGS.
3. DIAL AVAILABLE WITHOUT POT, ASK FOR DA10N
4. THREADS WILL ACCEPT PANEL THICKNESS OF 3/16 MAX.
5. SEE POTENTIOMETER CATALOG FOR ADDITIONAL SPECIFICATIONS.

\*MODEL WITH MW20B IS DW20.



MW22 POTENTIOMETER

DA10N TURNS COUNTING DIAL  
 KNURLED RING NUT  
 MOUNTING HOLE DIA. REQ'D. 1 3/16  
 FOR 1/32 TO 3/16 PANEL  
 NON SLIP RUBBER GASKET

	SCALE	NONE	THIS DOCUMENT CONTAINS PROPRIETARY DATA OF POLARIS INDUSTRIAL ENTERPRISES, INC. NO DISCLOSURE, REPRODUCTION, OR USE OF ANY PART THERE OF MAY BE MADE EXCEPT BY WRITTEN PERMISSION.	 CARLSBAD CALIFORNIA
	DATE:	5-8-87		
TOLERANCES XX = +/- .010" FRACT. = +/- 1/64" XXX = +/- .005" ANGLES = +/- 1/2° ALL SPECIFICATIONS SUBJECT TO CHANGE WITHOUT NOTICE.	BY		TITLE POT/DIAL COMBINATION	PART NO. DW22
	APPR'V'D	BT		

# Mouser Electronics

Authorized Distributor

Click to View Pricing, Inventory, Delivery & Lifecycle Information:

## ETI Systems:

[DW22-10-100](#) [DW22-10-100K](#) [DW22-10-10K](#) [DW22-10-1K](#) [DW22-10-2K](#) [DW22-10-5K](#) [DW22-5-10K](#)