

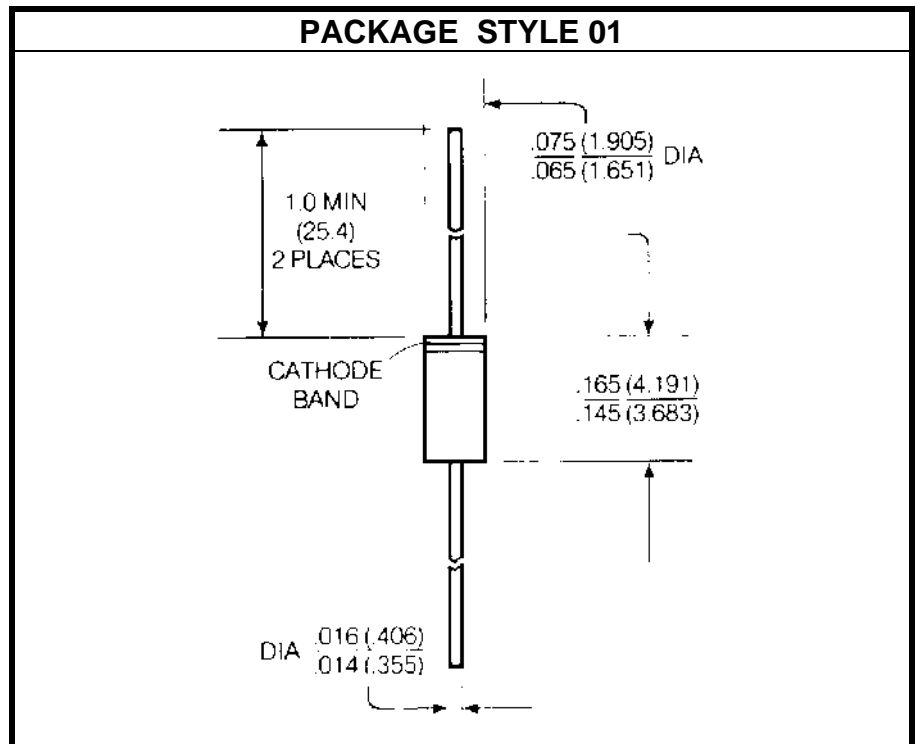
# SCHOTTKY BARRIER DIODE

**DESCRIPTION:**

The **ASI 5082-2835** is a Silicon Small Signal Schottky Diode Designed for General Purpose UHF/VHF Detection and Pulse Applications. Color Band Indicates Cathode.

**MAXIMUM RATINGS**

<b>I</b>	20 mA
<b>V</b>	8.0 V
<b>P<sub>DISS</sub></b>	250 mW @ T <sub>C</sub> = 25 °C
<b>T<sub>J</sub></b>	-65 °C to +200 °C
<b>T<sub>STG</sub></b>	-65 °C to +200 °C


**CHARACTERISTICS** T<sub>C</sub> = 25 °C

SYMBOL	TEST CONDITIONS	MINIMUM	TYPICAL	MAXIMUM	UNITS
V <sub>R</sub>	I <sub>R</sub> = 100 μA	8.0			V
I <sub>R</sub>	V <sub>R</sub> = 1.0 V			100	nA
V <sub>F</sub>	I <sub>F</sub> = 1.0 mA I <sub>F</sub> = 10 mA			340 450	mV
C <sub>t</sub>	V <sub>R</sub> = 0 V f = 1.0 MHz			1.0	pF
τ	I <sub>F</sub> = 20 mA			100	pS

# Mouser Electronics

Authorized Distributor

Click to View Pricing, Inventory, Delivery & Lifecycle Information:

[Advanced Semiconductor, Inc.:](#)

[5082-2835](#)