



# DEUTSCH 38999 Series III Metal Protective Connector Covers

Rugged, Lightweight, Environmentally Sealed Metal Protective Covers  
Qualified to MIL-DTL-38999 Series III



# DEUTSCH 38999 Series III Metal Protective Connector Covers

Rugged Plated Aluminum Protective Covers for MIL-DTL-38999 Series III Connectors



## Description

Lightweight, rugged aluminum metal covers that mechanically protect and seal 38999 series III connectors in the unmated condition, for both black box and harness applications. We incorporate ACME triple start threads for increased robustness and reliability. Our product offering includes a full range of shell sizes and platings to meet the demanding needs of the specific customer application.

### ROBUST

- Utilizes ACME triple start threads

### MIL QUALIFIED

- Qualified to MIL-DTL-38999 Series III, D38999/32 and D38999/33 slash sheets

### VERSATILE

- Available in four plating configurations
- Available in all 9 shell sizes

### ENHANCED CONNECTOR PROTECTION

- Helps protect connector against dust, foreign objects and moisture intrusion, in the unmated condition

### APPLICATIONS/ MARKETS SERVED

- Avionic Systems
- C4ISR
- Radar Systems
- Ground Vehicles
- Missile Launch Platforms
- Weapons Systems

## MATERIALS

- Aluminum alloy body
- Gasket is silicone based rubber
- Rope is passivated stainless steel with PTFE cover
- Rings and fasteners are corrosion resistant passivated steel

## MECHANICAL/ENVIRONMENTAL

- Fastener tensile strength minimum 25 lbs
- Air leak rate - shall not exceed 1 atmospheric cubic inch per hour
- Coupling torque - shall not exceed MIL-DTL-38999 series III requirements

## PLATINGS

- Olive Drab, Cadmium, Electroless Nickel, Black Zinc Nickel, Nickel PTFE

## STANDARDS/SPECIFICATIONS

- MIL-DTL-38999 Series III



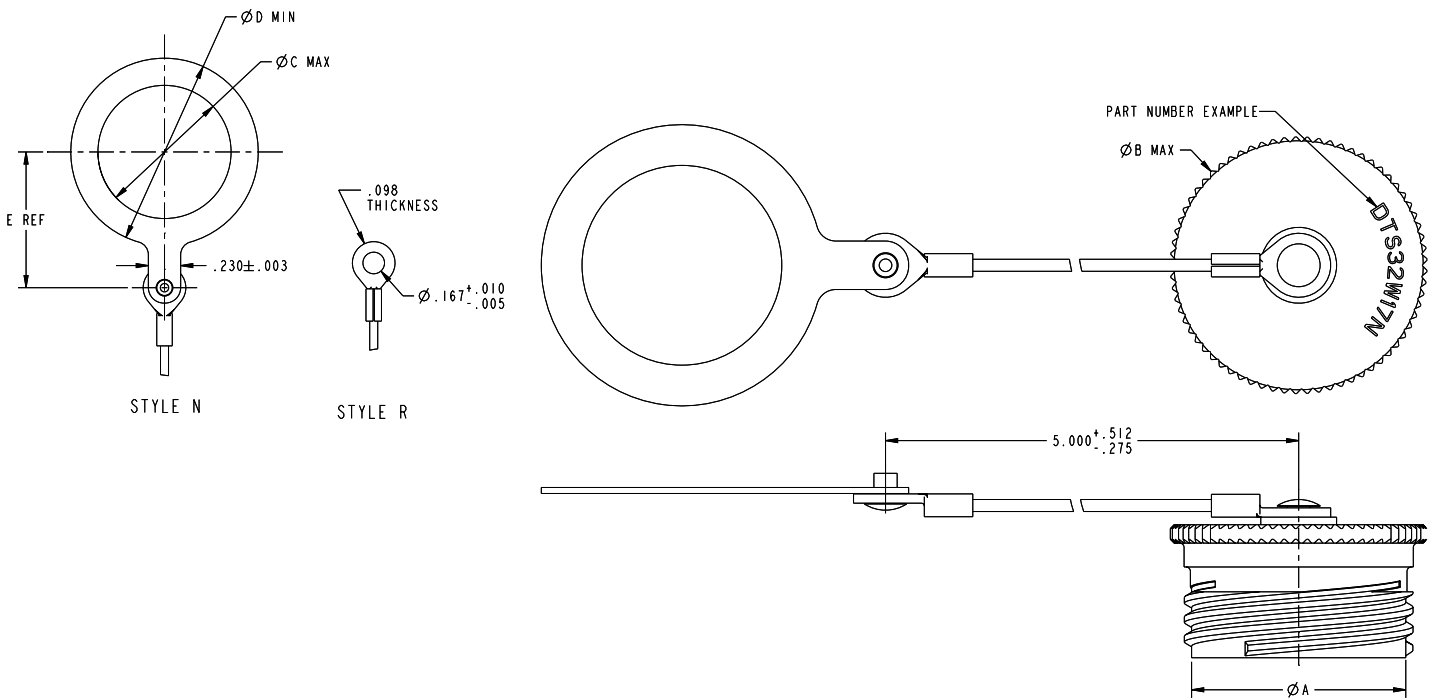
## TE Components . . . TE Technology . . . TE Know-how . . .

AMP | AGASTAT | CII | HARTMAN | KILOVAC | MICRODOT | NANONICS | POLAMCO | Raychem  
SEACON | Rochester | DEUTSCH

Empower Engineers to Solve Problems, Moving the World Forward.



Qualified to D38999/32, which mates to D38999/26 plugs



**Military Part Number** D38999/32 W 17 N

**SERIES**  
MIL-DTL-38999/32

**CLASS**  
F = NICKEL  
T = NICKEL PTFE  
W = OLIVE DRAB CADMIUM  
Z = ZINC NICKEL

**SHELL SIZE**

**STYLE**  
R = ROPE WITH EYELET ATTACHMENT  
N = ROPE WITH LARGE RING ATTACHMENT

**TE Part Number** DTS32 W 17 N

**SERIES MIL-DTL-38999/  
32 TYPE**

**CLASS**  
F = NICKEL  
T = NICKEL PTFE  
W = OLIVE DRAB CADMIUM  
Z = ZINC NICKEL

**SHELL SIZE**

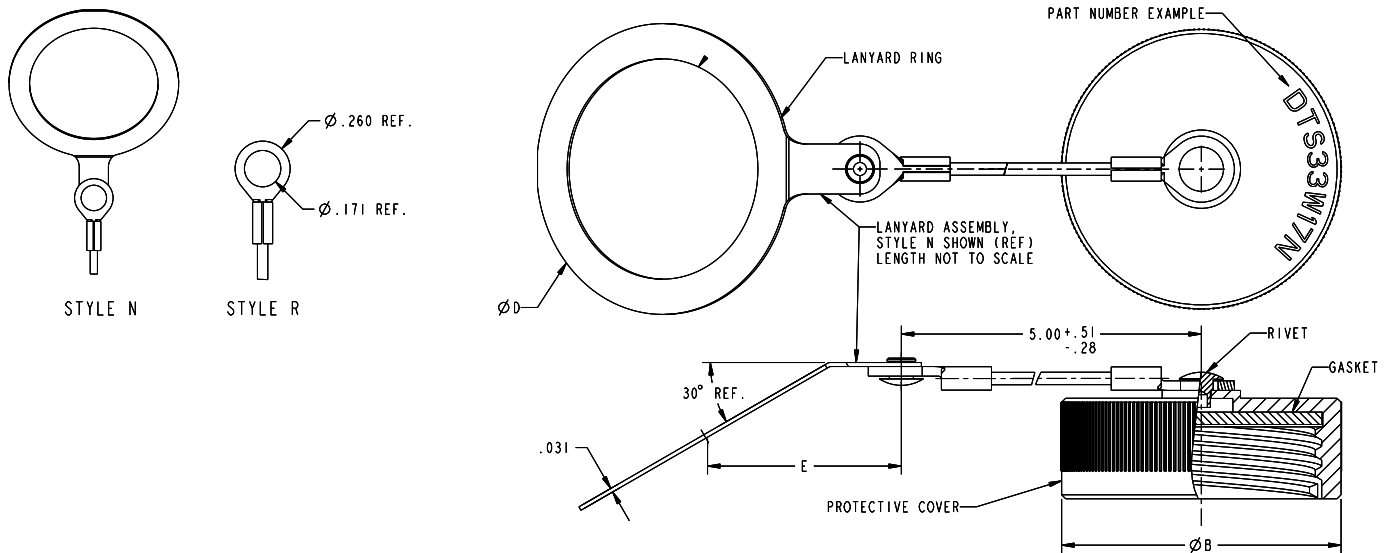
**STYLE**  
R = ROPE WITH EYELET ATTACHMENT  
N = ROPE WITH LARGE RING ATTACHMENT

**PRODUCT INFORMATION**

Part Number	Shell Size	A Dia. Ref.	C Dia. Ref.	D Dia. Ref.	E Ref.
DTS32x09x	09	0.561	0.633	0.866	0.715
DTS32x11x	11	0.686	0.719	1.051	0.797
DTS32x13x	13	0.811	0.890	1.051	0.797
DTS32x15x	15	0.936	0.999	1.201	0.875
DTS32x17x	17	1.107	1.205	1.441	0.997
DTS32x19x	19	1.170	1.205	1.441	1.083
DTS32x21x	21	1.295	1.275	1.614	1.093
DTS32x23x	23	1.420	1.349	1.697	1.250
DTS32x25x	25	1.543	1.579	1.790	1.280



Qualified to D38999/33, which mates to D38999/20 and D38999/24 receptacles



Military Part Number **D38999/33** **W** **17** **N**

**SERIES**  
MIL-DTL-38999/33

**CLASS**  
F = NICKEL  
T = NICKEL PTFE  
W = OLIVE DRAB CADMIUM  
Z = ZINC NICKEL

**SHELL SIZE**

**STYLE**  
R = ROPE WITH EYELET ATTACHMENT  
N = ROPE WITH LARGE RING ATTACHMENT

TE Part Number **DTS33** **W** **17** **N**

**SERIES MIL-DTL-38999/33 TYPE**

**CLASS**  
F = NICKEL  
T = NICKEL PTFE  
W = OLIVE DRAB CADMIUM  
Z = ZINC NICKEL

**SHELL SIZE**

**STYLE**  
R = ROPE WITH EYELET ATTACHMENT  
N = ROPE WITH LARGE RING ATTACHMENT

**PRODUCT INFORMATION**

Part Number	Shell Size	B Dia. Ref.	C Dia. Ref.	D Dia. Ref.	E Ref.
DTS33x09x	09	0.812	0.719	1.051	0.761
DTS33x11x	11	0.950	0.890	1.051	0.761
DTS33x13x	13	1.088	1.205	1.441	0.960
DTS33x15x	15	1.166	1.205	1.441	0.960
DTS33x17x	17	1.323	1.275	1.441	1.055
DTS33x19x	19	1.442	1.579	1.790	1.228
DTS33x21x	21	1.560	1.579	1.790	1.228
DTS33x23x	23	1.678	1.688	2.031	1.289
DTS33x25x	25	1.836	1.765	2.177	1.328

## LET'S CONNECT

We make it easy to connect with our experts and are ready to provide all the support you need. Just call your local support number or visit [te.com](http://te.com) to chat with a Product Information Specialist.

## Technical Support

[te.com/support-center](http://te.com/support-center)

North America	+1 800 522 6752	Asia Pacific	+86 400 820 6015
North America (Toll)	+1 717 986 7777	Japan	+81 044 844 8180
EMEA/South Africa	+800 0440 5100	Australia	+61 2 9554 2695
EMEA (Toll)	+31 73 624 6999	New Zealand	+64 (0) 9 634 4580
India (Toll-Free)	+800 440 5100		

# [te.com/38999-metal-covers](http://te.com/38999-metal-covers)

AMP, AGASTAT, CII, DEUTSCH, HARTMAN, KILOVAC, MICRODOT, NANONICS, POLAMCO, Raychem, SEACON, TE, TE Connectivity and the TE connectivity (logo) are trademarks owned or licensed by TE Connectivity. Other products, logos, and company names mentioned herein may be trademarks of their respective owners.

While TE Connectivity (TE) has made every reasonable effort to ensure the accuracy of the information herein, nothing herein constitutes any guarantee that such information is error-free, or any other representation, warranty or guarantee that the information is accurate, correct, reliable or current. The TE entity issuing this publication reserves the right to make any adjustments to the information contained herein at any time without notice. All implied warranties regarding the information contained herein, including, but not limited to, any implied warranties of merchantability or fitness for a particular purpose are expressly disclaimed. The dimensions herein are for reference purposes only and are subject to change without notice. Specifications are subject to change without notice.

Consult TE for the latest dimensions and design specifications.

© 2018 TE Connectivity All Rights Reserved.

2348296-1 11/18