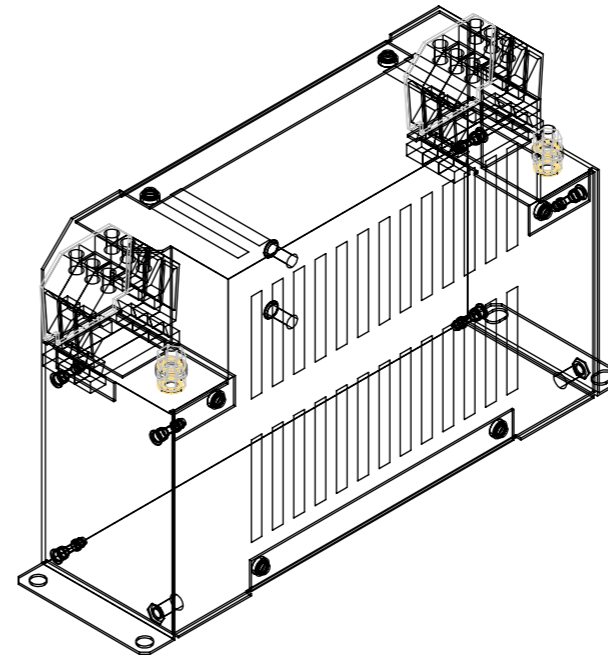
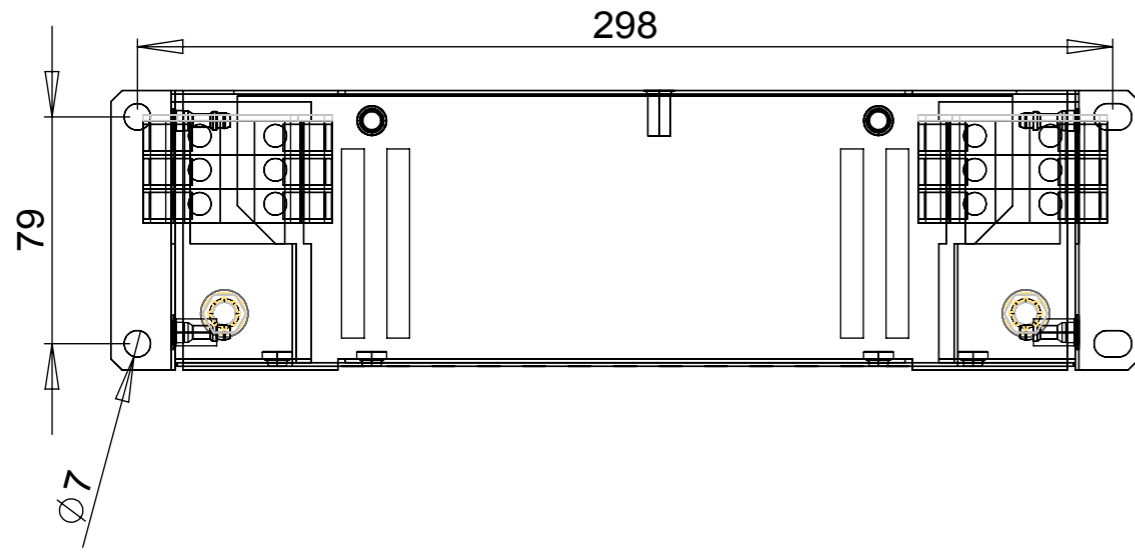
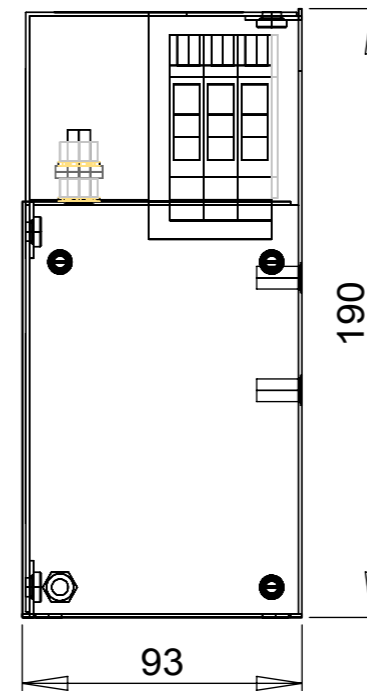
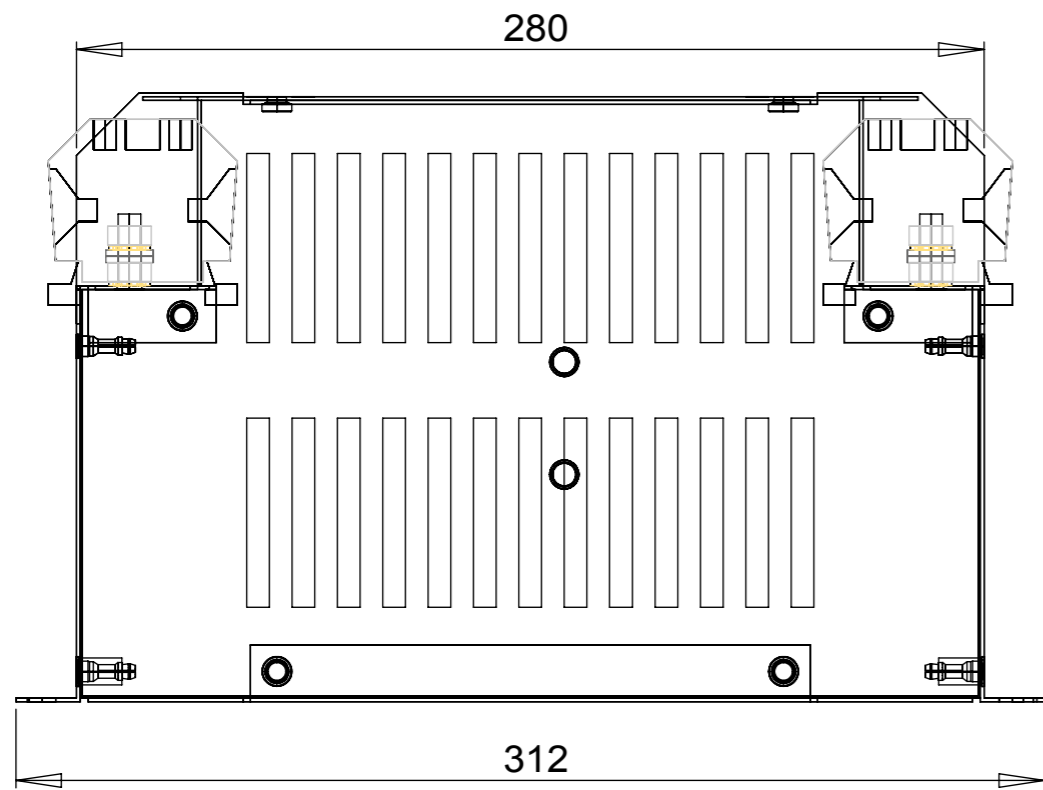


REV.	CNN	CNN DESCRIPTION	Date	Check in
02	-	RoHS missing	19/01/2010	Shaun Barron
02	-	RoHS missing	20/01/2010	Shaun Barron



**SPECIFICATIONS**

VOLTAGE 500Vac  
 FREQUENCY 50/60Hz  
 CURRENT 50A @ 40°C  
 TEMPERATURE -25 TO 100°C  
 LEAKAGE CURRENT 114mA @ 500V 50Hz  
 HUMIDITY 90% RH (NON-CONDENSING)  
 VIBRATION 10-200Hz 1.8G  
 ELECTRIC STRENGTH 2500Vac/1min.  
 POWER DISSIPATION 16W  
 MASS 3.7kg  
 TERMINALS 50sqmm TERMINAL BLOCK  
 EARTH TERMINALS M8 STUD  
 FLANGE MOUNTING 4x M6



**RoHS  
 2002/95/EC  
 Compliant**