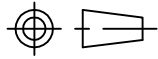


DO NOT SCALE
REMOVE ALL BURRS AND SHARP EDGES

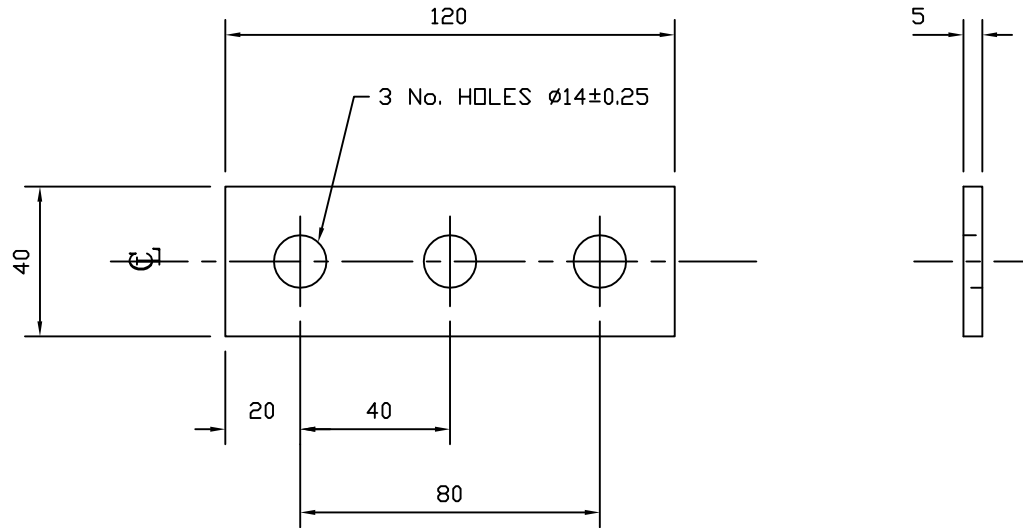
1st ANGLE
PROJECTION



UNLESS NOTED OTHERWISE, ALL DIMENSIONS
ARE IN MILLIMETRES

THIS DESIGN IS COPYRIGHT AND THE DRAWING IS THE
PROPERTY OF UNISTRUT LIMITED AND IS TO
BE USED BETWEEN CLIENTS AND THEMSELVES ONLY.

NOTES:



REV & DATE	DESCRIPTION	CHK'D & DATE

tyco / TYCO ELECTRICAL & METAL PRODUCTS / **Unistrut**

Delta Point, Greets Green Road,
West Midlands, B70 9PL
Tel: 0121 580 6300
Fax: 0121 580 6366

FM 825 - BS EN ISO 9001



RELATED PART NO.(S)

TOLERANCES U.N.O.

DIMS. ± 1mm

ANGLES ± 0.5°

DRAWN/DATE:
JRD 8/6/76

CHECKED/DATE:
AJ 13/4/78

DISK No:

SCALE:

1:2 @ A4

TITLE: 3 HOLE FLAT PLATE

PART No: P1066 P1066P
P1066SS

G
REV: