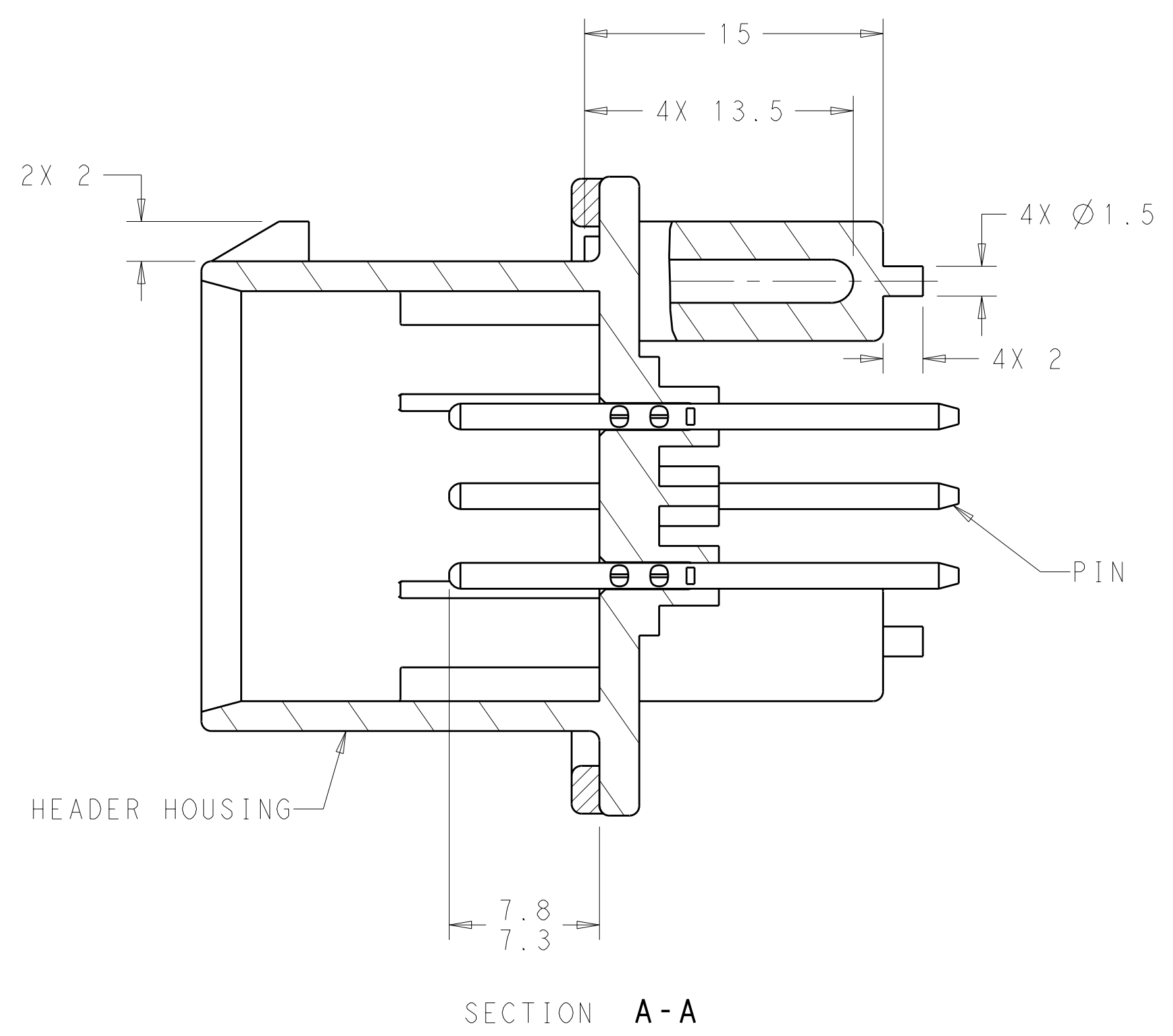
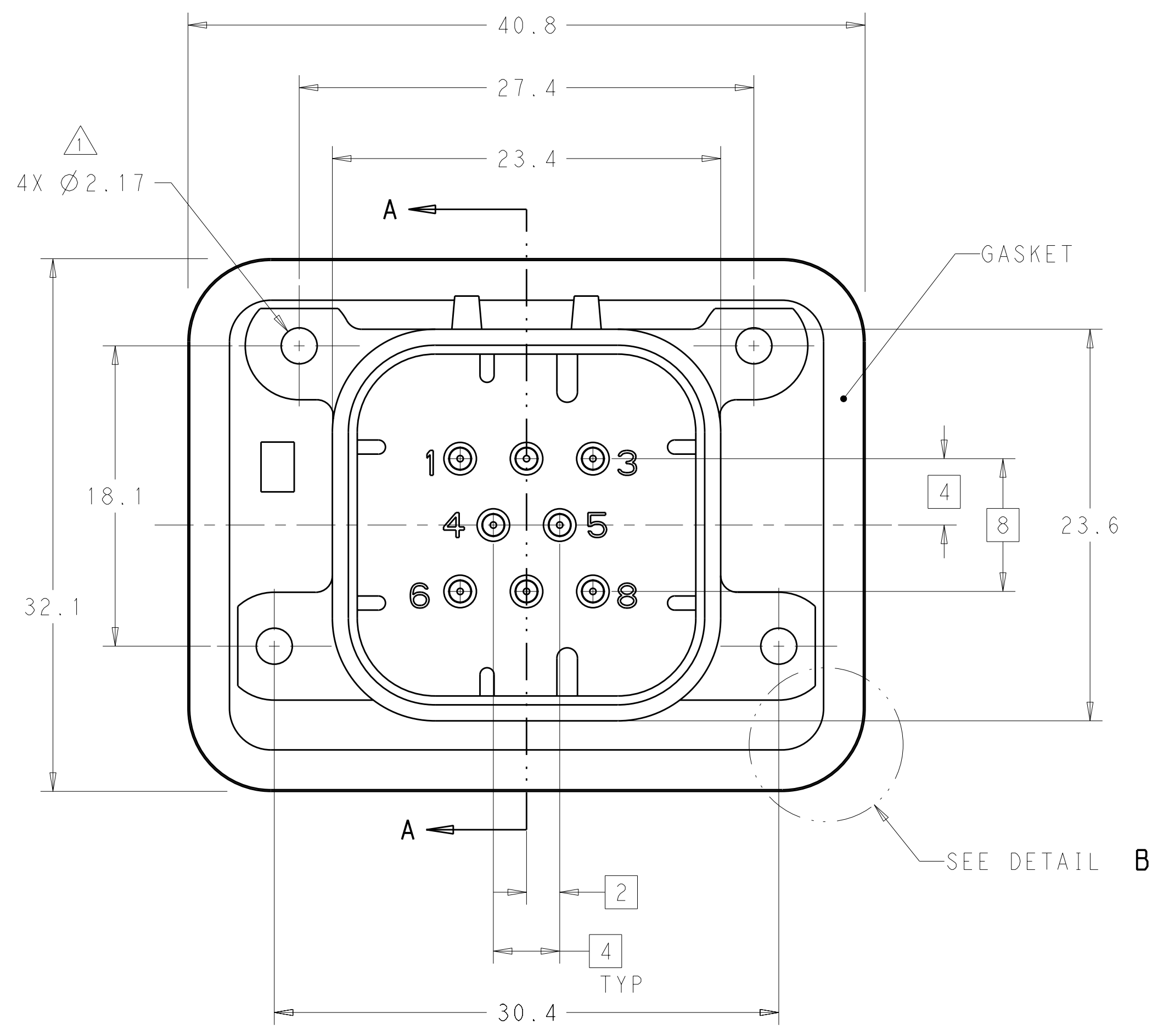
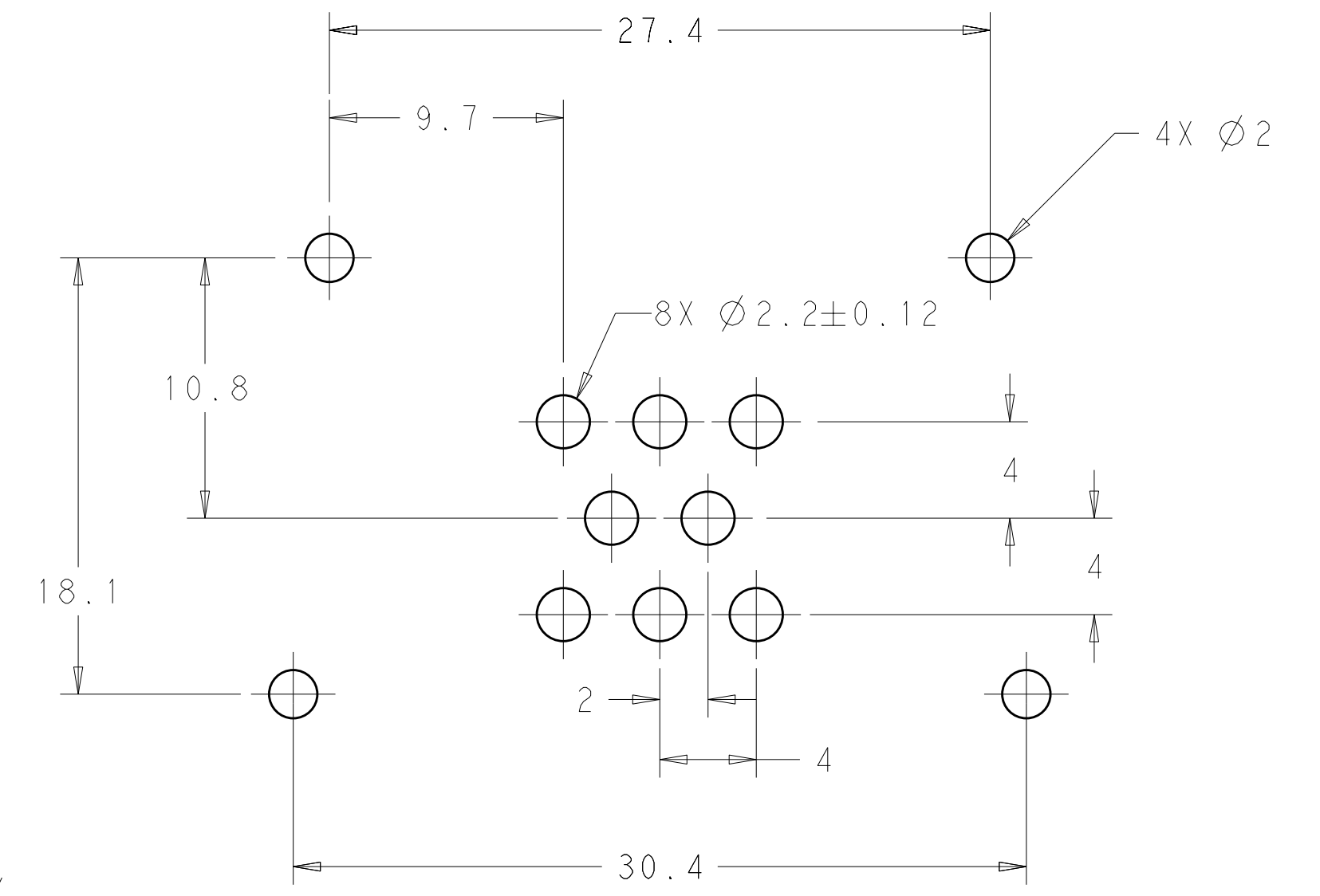


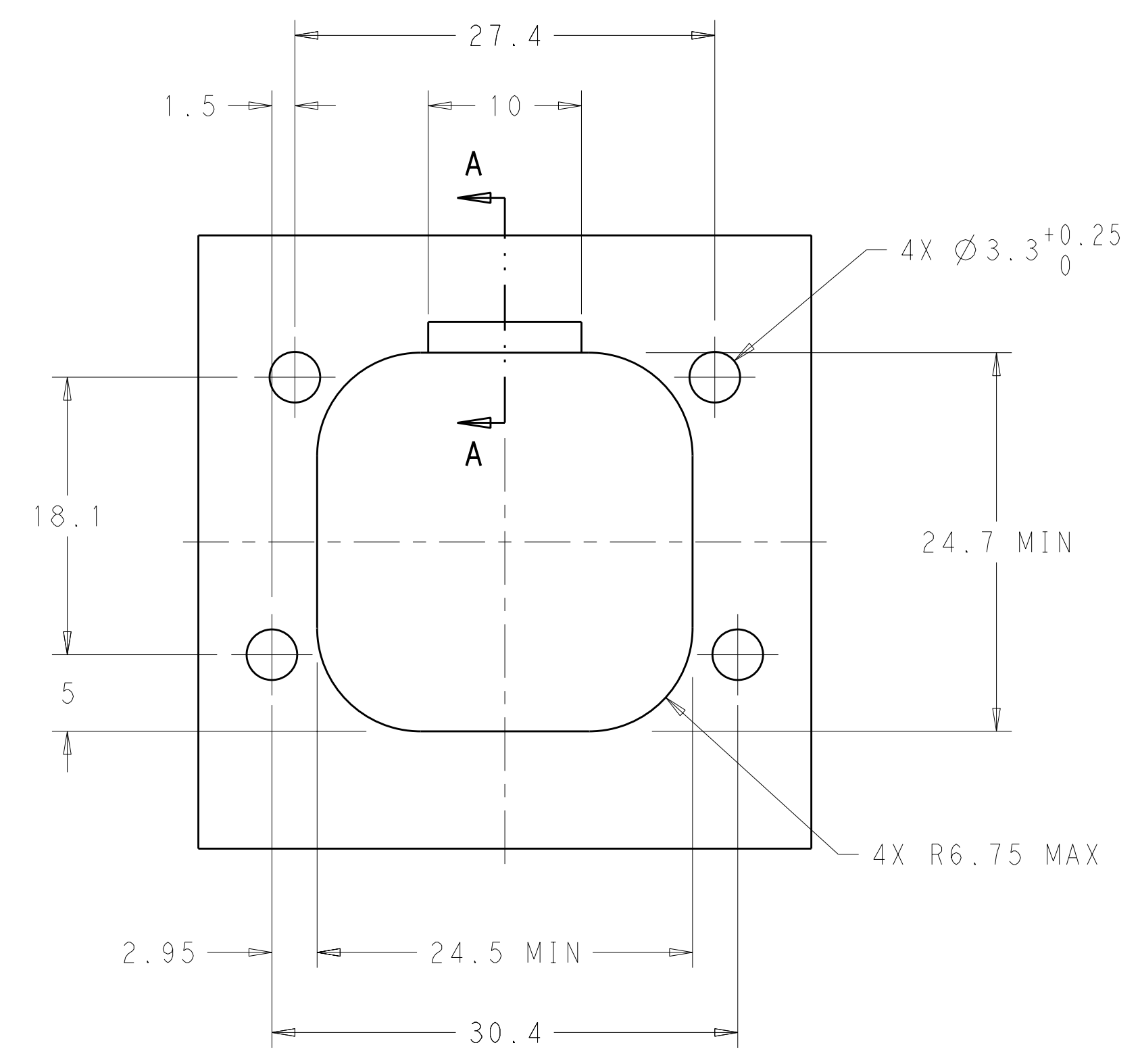
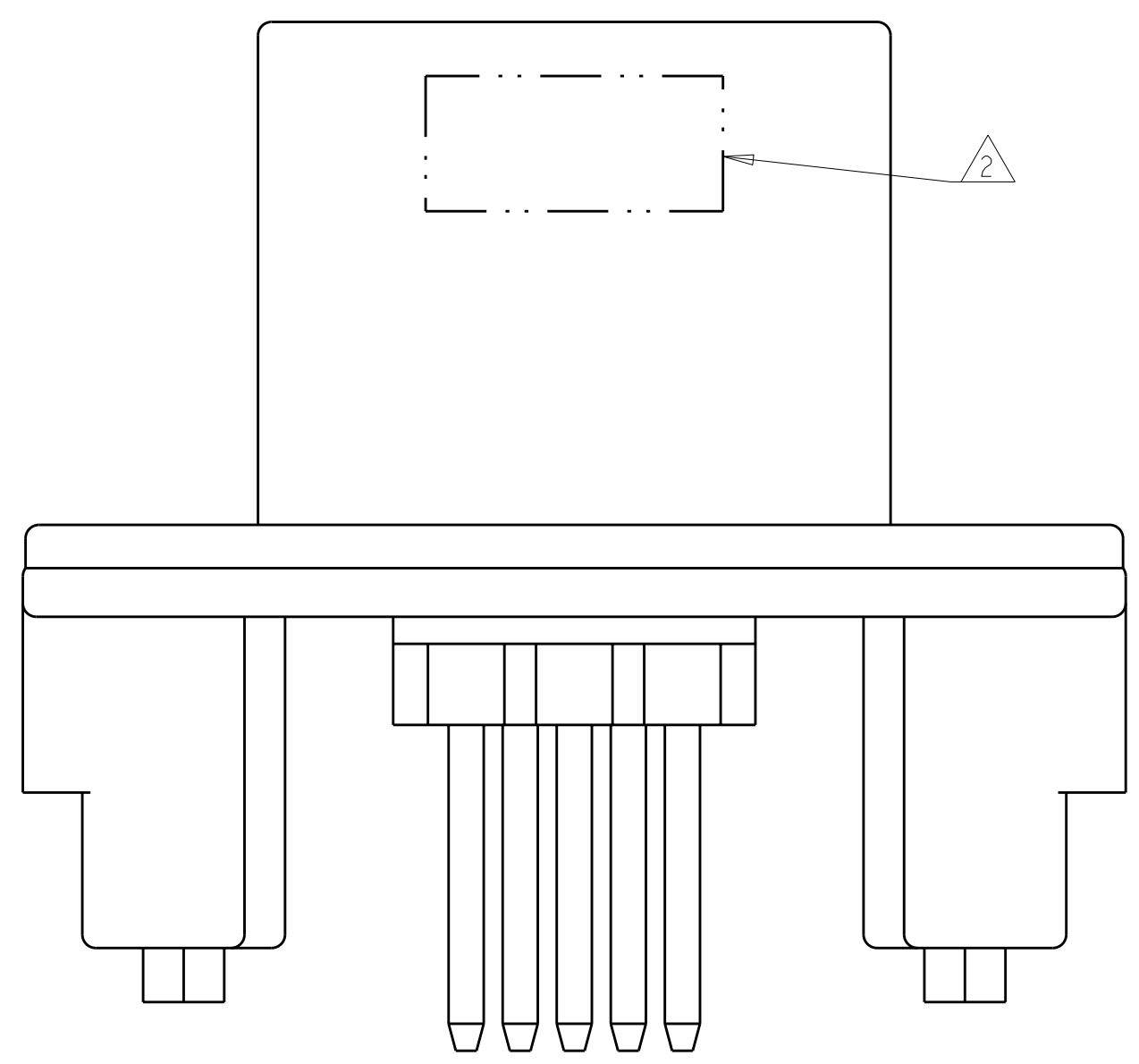
LOC	DIST	REV	DATE	BY	CHK	APPV
GE	00	B3	02MAY2011	RK	HMR	



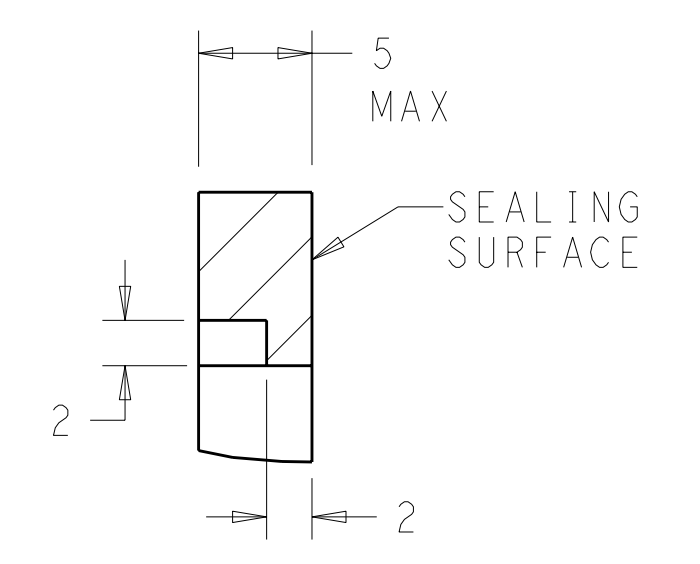
- △ ACCEPTS #4 SELF TAPPING THREAD CUTTING SCREWS OR METRIC EQUIVALENT. DRIVE TO 0.6 N-m MAX
- △ DATE CODE IN THIS LOCATION USING 5 DIGIT CODE FIRST 2 DIGITS = YEAR, SECOND 2 DIGITS = WEEK, LAST DIGIT = DAY.
- △ MATERIALS: GASKET - SILICONE
HEADER HOUSING - GLASS FILLED PBT
PINS - TIN OR GOLD PLATED BRASS
- △ HOUSING COLORS ARE MECHANICALLY KEYED TO MATE ONLY WITH IDENTICALLY COLORED PLUG ASSEMBLIES.
- 5. HEADER MATES TO PLUG ASSEMBLY 776286 WHICH USES REELED TERMINAL 770520 OR LOOSE PIECE TERMINAL 770854



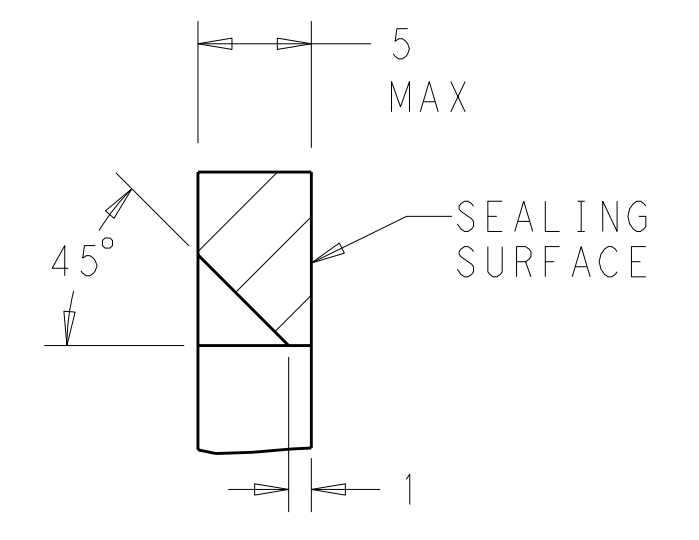
RECOMMENDED P.C. BOARD LAYOUT FOR 1.57 THICK P.C. BOARD



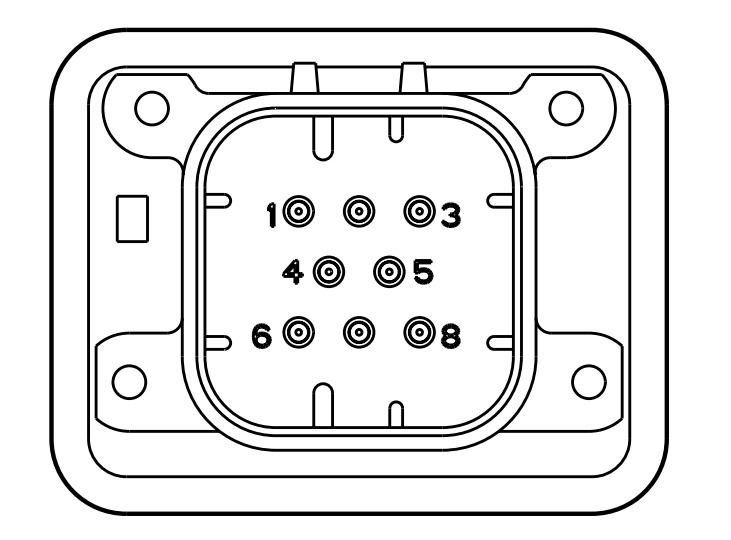
RECOMMENDED MOUNTING HOLE LAYOUT FOR 5.0 MAX THICK PANEL



SECTION A-A
OPTIONAL CONSTRUCTION IF PANEL THICKNESS IS GREATER THAN 2.0



SECTION A-A
OPTIONAL CONSTRUCTION IF PANEL THICKNESS IS GREATER THAN 2.0



776276-2 & 1-776276-2
KEY LOCATION
SCALE 2:1
776276-1 & 1-776276-1 SHOWN

HEADER COLOR	PLATING	PART NUMBER
NATURAL	DURAGOLD	1-776276-2
BLACK	DURAGOLD	1-776276-1
NATURAL	TIN	776276-2
BLACK	TIN	776276-1

DETAIL B
SCALE 10:1

THIS DRAWING IS A CONTROLLED DOCUMENT.

DIMENSIONS:	TOLERANCES UNLESS OTHERWISE SPECIFIED:	DATE: 21 JAN 2010	DRAWN: D. STRAUSSER
mm	0 PLC ±0.25 1 PLC ±0.2 2 PLC ±0.13 3 PLC ±0.1 4 PLC ±0.1 5 PLC ±0.1 ANGLES ±1°	DATE: 22 MAR 2010	CHECKED: D. STRAUSSER
MATERIAL:	FINISH:	DATE: 27 APR 2010	APPROVED: D. STRAUSSER
CUSTOMER DRAWING		PRODUCT SPEC: 108-1329	NAME: ASSEMBLY, HEADER, 8 POSITION, VERTICAL, AMPSEAL WITH FLANGE SEAL
SCALE: 4:1		APPLICATION SPEC: 114-16016	SIZE: CAGE CODE DRAWING NO. A100779
SHEET 1 OF 1		WEIGHT: -	RESTRICTED TO: -
REV: B3		REVISIONS:	